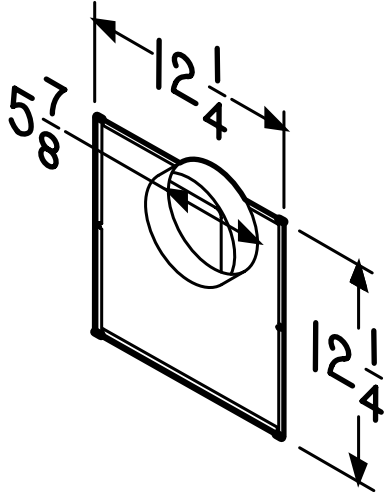
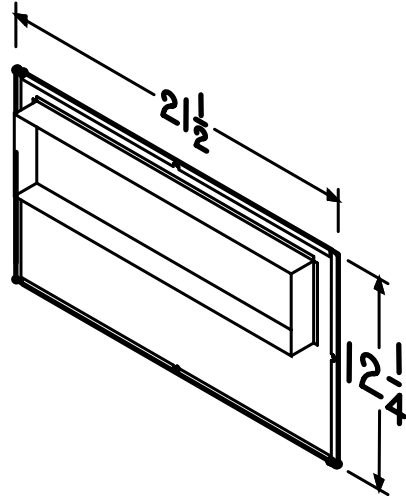


IN-LINE ADAPTOR KITS FOR FF UNITS



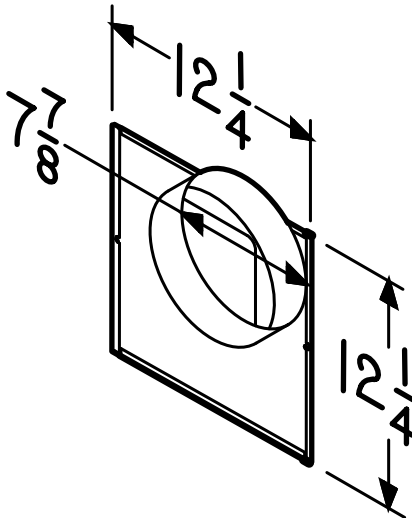
961L IN-LINE ADAPTOR KIT

- Galvanized Steel
- Fits FF100 & FF150
- For 6" Round Duct Intake



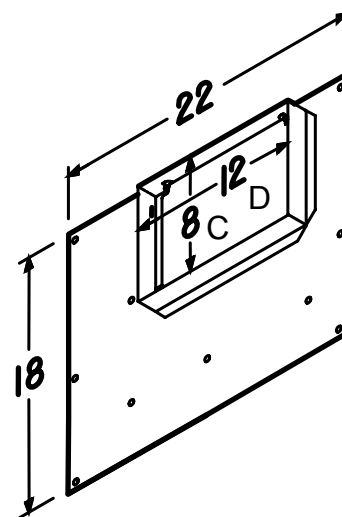
982L IN-LINE ADAPTOR KIT

- Galvanized Steel
- Fits FF400, FF500 & FF700
- 4 1/2" x 18 1/2" Duct Intake



981L IN-LINE ADAPTOR KIT

- Galvanized Steel
- Fits FF200, FF250 & FF300
- For 8" Round Duct Intake

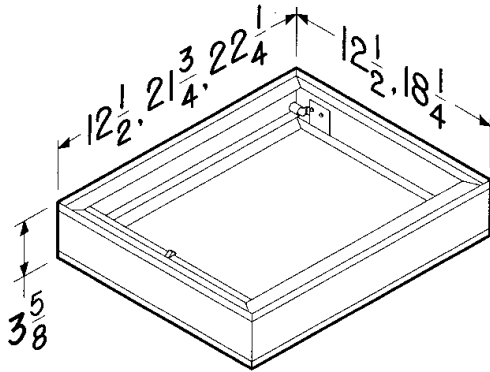


983L IN-LINE ADAPTOR KIT

- Galvanized Steel
- Fits FF900 & FF1500
- 8" x 12" Duct Intake

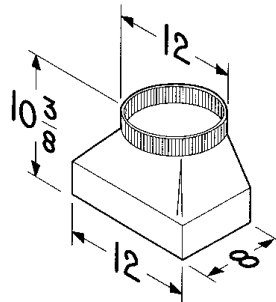
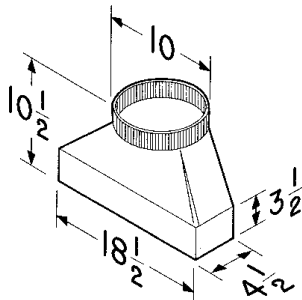
| | |
|-----------------|------------------|
| Project: _____ | Submitted: _____ |
| Customer: _____ | Approved: _____ |
| Location: _____ | |

RADIATION DAMPERS, DUCT TRANSITIONS, METAL GRILLS FOR FF/FFC UNITS



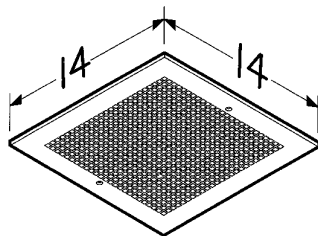
Models RD1, RD2 & RD3 Radiation Dampers

- UL rated 4-hour ceiling radiation dampers - classified for use in a 4-hour fire-rated ceiling
- Galvanized steel frame
- High temperature, non-asbestos, reinforced fiber thermal fabric
- 165°F fusible link
- Stainless steel negator-type closure spring
- RD1 ($12\frac{1}{4}$ x $12\frac{1}{4}$) fits FF100 - FF300
- RD2 ($21\frac{1}{2}$ x 18) fits FF400 - FF700
- RD3 (22 x 18) fits FF900 - FF1500



Models 423 & T81212 Duct Transitions

- Galvanized steel
- Allows for quick transition to easy-to-obtain-and-install round ducting
- 423 ($4\frac{1}{2}$ x 18 to 10 round) for use with FF400 thru FF700
- T81212 (8 x 12 to 12" round) for use with FF900 and FF1500

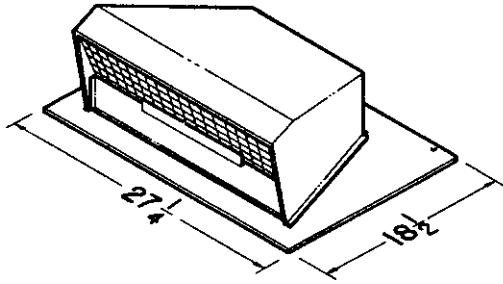


Model MG 1 Metal Grill Kit

- White enamel painted steel
- Mounting screws included
- Fits FF100, FF150, FF200, FF250 & FF300

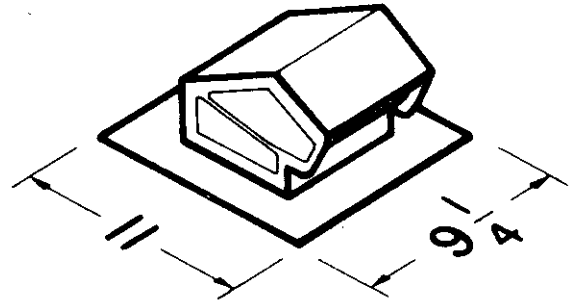
| | |
|-----------------|------------------|
| Project: _____ | Submitted: _____ |
| Customer: _____ | Approved: _____ |
| Location: _____ | |

ROOF CAPS FOR FF/FFC UNITS



Model 437

- High capacity design - up to 1200 CFM
- Built-in birdscreen
- Steel, black electrically - bonded epoxy finish

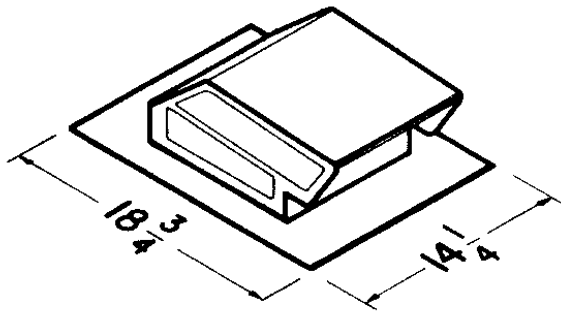


Model 636

- Black electrically - bonded epoxy finish
- Built-in backdraft damper & birdscreen
- For 3" or 4" round duct

Model 636AL

- Same as Model 636 - except Aluminum
- Natural finish



Model 634

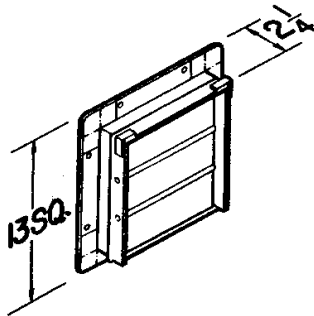
- Black electrically - bonded epoxy finish
- Built-in backdraft damper & birdscreen
- For 3 1/4" x 10" or up to 8" round duct

Model 644

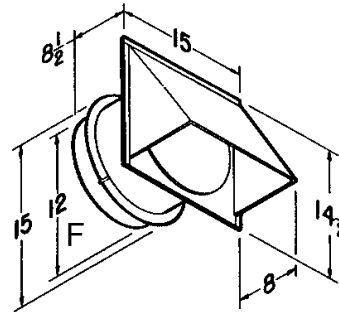
- Same as Model 634 - except Aluminum
- Natural finish

| | |
|-----------------|------------------|
| Project: _____ | Submitted: _____ |
| Customer: _____ | Approved: _____ |
| Location: _____ | |

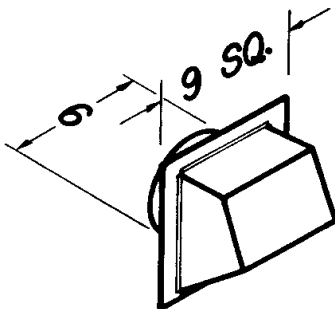
WALL CAPS FOR FF/FFC UNITS



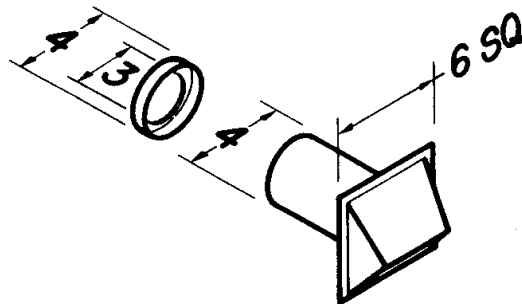
- Model 441**
- Gravity dampers
 - Collar with birdscreen for attaching 10" round duct
 - Steel construction with aluminum louvers



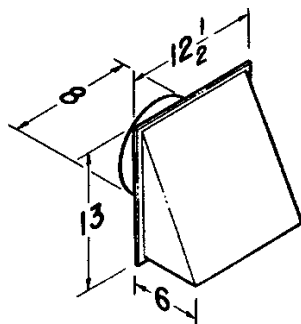
- Model 613**
- High Capacity
 - Built-in backdraft damper & birdscreen
 - Aluminum natural finish
 - For 12" round duct



- Model 641**
- Aluminum natural finish
 - Built-in backdraft damper & birdscreen
 - For 6" round duct



- Model 642**
- Aluminum natural finish
 - Built-in backdraft damper
 - For 3" or 4" round duct (4" to 3" transition included)



- Model 643**
- Aluminum natural finish
 - Built-in backdraft damper
 - For 8" round duct

| | |
|-----------------|------------------|
| Project: _____ | Submitted: _____ |
| Customer: _____ | Approved: _____ |
| Location: _____ | |