

MODEL TXB

BELT DRIVE CENTRIFUGAL UPBLAST ROOF EXHAUSTER



MODEL FEATURES

- Exhaust air up to 35,000 CFM in high static pressure applications up to 3-1/4" w.g.
- Attractive spun aluminum exterior
- Belt drives permit easy performance adjustments when needed
- Non-overloading backward inclined wheel for efficiency at higher static pressures
- Roof or sidewall mounting options
- AMCA Air and Sound Licensed
- cULus 705 or 762 Listed
- NFPA - suitable for National Fire Protection Association Installations


APPLICATION CONSTRUCTION OPTIONS

MODEL NAME	TYPICAL APPLICATIONS
TXB	Removal of clean or contaminated air in general applications
TXBRHUL	UL762 listed for grease removal
TXBHP	High Pressure version of TXB
TXBHP-RHUL	UL762 High Pressure version of TXB
TXB-HWL	High Wind Load and Hurricane Zone version of TXB
TXBHP-HWL	High Wind Load and Hurricane Zone, High Pressure version of TXB
TXBRHUL-HWL	High Wind Load and Hurricane Zone, UL762 version of TXB
TXBHP-RHUL-HWL	High Wind Load and Hurricane Zone, UL762 High Pressure version of TXB
TXBW	Wall mount version of TXB
TXBWRHUL	UL762 version of TXBW
TXBWHP	High Pressure version of TXBW
TXBWHPRHUL	UL762 High Pressure version of TXBW

MODEL OVERVIEW

Model TXB belt drive fans are designed to exhaust air up to 35,000 CFM in high static pressure applications to 3-1/4". The aluminum exterior provides an attractive appearance. Belt drive results in lower operating RPM and sound levels, making the Model TXB well suited to applications where quiet operation is important. Belt drive also permits easy performance adjustments when needed to balance the total ventilation system. The non-overloading backward inclined wheel with its higher static pressure capability makes this unit suitable for either ducted or nonducted applications. Its roof or sidewall mounting options permit location near the area to be ventilated, allowing short duct runs and more efficient operation.

Isolation of motor and drive components from the airstream and the high velocity vertical air discharge make the Model TXB ideally suited for the removal of dirty contaminated and/or high temperature air from processes and buildings. Typical applications include restaurant hoods and similar kitchen exhaust ventilation, fume and smoke removal, laboratory fume hood exhaust and chemical process exhaust. The TXB line of fans is available in a variety of construction options, see the chart above for the TXB that is right for your application.



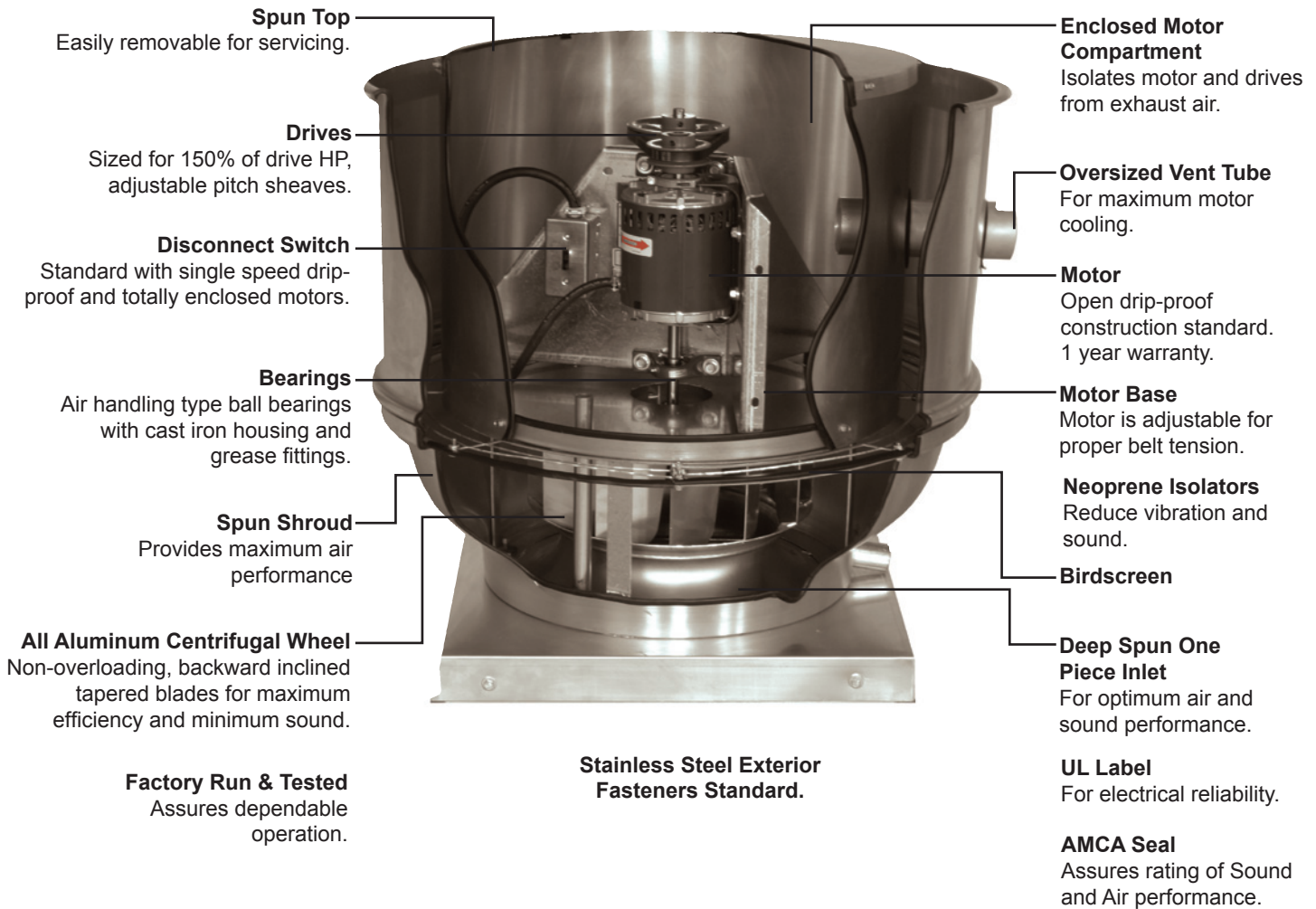
Model TXB-UL762 is available in our Quickship program. Sizes 8-24 are available for next day or 3-day shipping from stock.

Industry best 5 year fan housing warranty, 1 year motor warranty
TXBRHUL units have 2 year fan housing warranty



STANDARD CONSTRUCTION FEATURES AND OPTIONS

Model TXB



Industry best 5 year fan housing warranty, 1 year motor warranty



STANDARD CONSTRUCTION FEATURES AND OPTIONS

Model TXB-UL762 Restaurant Exhaust



2 year fan housing warranty, 1 year motor warranty



CONSTRUCTION/SPECIFICATION CHECKLIST

Housing

- Curb cap with integral deep single piece spun inlet for efficient performance and prevention of leakage into ductwork.
- Heavy-gauge aluminum housing and curb cap for strength and rigidity. Curb cap is galvanized steel on all UL 762 units.
- Adjustable motor base for proper belt tension and ease of adjustment.
- Enclosed ventilated motor/drive compartment isolates motor and drives from exhaust air.
- Neoprene isolators for reduction of vibration and sound.
- Quick-Release latches on motor cover for easy access to motor compartment.
- Water-tight conduit tube for easy electrical connection without having to wire through the breather tube.
- Birdscreen included on standard models (not included on UL762 units).

Centrifugal Wheel

- Backward inclined for efficiency at higher static pressure.
- Non-overloading for safe operation in ducted systems.
- Heavy aluminum hub for extra strength.
- Close running tolerance between inlet cone and wheel inlet for maximum efficiency.
- Statically and dynamically balanced for smooth quiet operation.

Motors

- Brands are nationally recognized and locally serviced.
- Single speed drip-proof motors are provided on standard models.
- Disconnect switch is standard with single speed open drip-proof and totally enclosed motors.
- Welded motor brackets designed for maximum strength.

Drives

- Sized for minimum 150% of drive horse power.
- Machined cast iron adjustable motor pulleys.
- Adjustable base for belt tensioning.
- Nonstatic oil resistant V-Belts.

Bearings

- 5 year bearing warranty.
- Heavy-duty ball bearing type.
- Prelubricated and permanently sealed.
- Sized for a minimum L50 life in excess of 200,000 hours.

Certifications

- AMCA Air and Sound Licensed.
- cULus 705 Listed Power Roof Ventilator label assures electrical reliability.
- UL 762 Listed for Restaurant Exhaust Appliance available for applications where required.
- cULus 705 and UL 762 assure electrical reliability for Canadian use.
- cULus label must be specified when needed.
- NFPA - Model TXB is suitable for National Fire Protection Association installations. Contact factory for required accessories.

TXB SPECIAL APPLICATIONS

High Wind Load and Hurricane Zone construction certified fans from S&P:



Model TXB/TXB-HP/TXBRHUL

Belt Drive Centrifugal Upblast Roof Exhausters with certified **HWL** (High Wind Load/Hurricane Zone) **Construction Option**.

The TXB (belt drive) series of centrifugal upblast roof exhaust fans with the HWL construction option are suitable for use in high wind load applications which call for products with enhanced safety and structural resistance. The TXB series is ideal for general roof mounted clean air exhaust applications where the air is discharged directly up and away from the roof surface. The TXBRHUL series is ideal for general roof mounted grease laden air exhaust applications where the air is discharged directly up and away from the roof surface.



- The only fans designed, developed, tested and manufactured in a hurricane zone!
- Designed to withstand wind loads in excess of 150mph (61psf).
- All models, without exception, have been tested and certified to ASTM Florida Building Code standards TAS 201-94, 202-94 and 203-94.
- All models are third party tested and Miami Dade County approved.
- Miami-Dade County, Florida NOA certifications:
 - Miami-Dade County, Florida #09-0513.02, expires 09/09/2014 – Models TXB, TXB-HP & TXBRHUL (Restaurant fan) with HWL construction option.
- State licensed P.E reviewed for compliance with IBC, Florida Building Code and ASCE 7-02 Minimum Design Loads for Buildings.

MODEL	MIAMI-DADE, COUNTY, FLORIDA (NOA #)	EXHAUST	TAS 201	TAS 202	TAS 203	CLEAN AIR	GREASE LADEN AIR
TXB/TXB-HP	12-0229.10 exp. 09/09/2014	•	✓	✓	✓	•	
TXBRHUL	12-0229.10 exp. 09/09/2014	•	✓	✓	✓	•	•

Florida Building Code **TAS 201-94**, Impact Test Procedures.
 Florida Building Code **TAS 202-94**, Criteria for Testing Impact & Nonimpact Resistant Building Envelope Components using Uniform Static Air Pressure.
 Florida Building Code **TAS 203-94**, Criteria for Testing Products Subject to Cyclic Wind Pressure Loading.

HWL Fan Construction Option, for High Wind Load & Hurricane Zone applications.

TXB, TXB-HP & TXBRHUL fans with the **HWL Construction Option**, include the following features as standard:

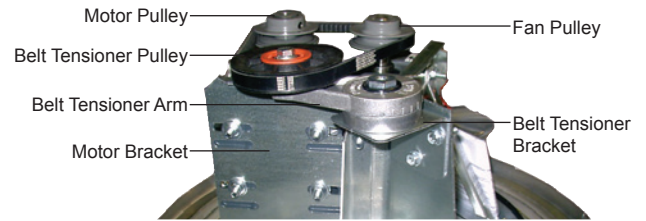
- High strength internal bracing and support structure.
- High strength, thick gauge, external aluminum shroud.
- High strength external stainless steel wire tie downs.
- Certified roof curbs must be used and are available in 8” up to 24” in height.



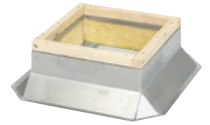


OPTIONS/ACCESSORIES

Automatic Belt Tensioner: Available on sizes 8-24, The Automatic Belt Tensioners eliminate the need for regular manual retensioning of drives, and the risk of inadvertently over-tensioning drive components is avoided and overall drive operating efficiency is enhanced. Benefits include reduction in startup and maintenance costs, increased belt life, increased drive efficiency, and ensure drive components do not snag obstructions.



Roof Curb: Prefabricated heavy-gauge galvanized steel, welded construction, 12" high (other heights are also available) with 1-1/2" wood nailer. Assures perfect fit of exhauster to roof opening. Options include burglar bars, single or double pitch construction and hinged curbs for easy duct access.



Common Curb: Designed to allow both the supply fan and exhaust fan to be mounted on the same curb. This curb requires only one roof opening and speeds installation time.

Motor Operated Damper: Motor operated aluminum damper for positive closure against backdraft. (Not for UL762 use).



Automatic Damper: Automatic aluminum damper for ease in installation and effective backdraft protection. (Not for UL762 use).

Grease Grabber or Aluminum Grease Trough: Trap designed for fast and inexpensive replacement. Grease collects in a container for safe and sanitary disposal. Keeps roof clean with proper use.

Wall Mount Kit: Kit allows 8-24" fans to be wall mounted. Assembled as standard on all TXDW units, not available for not wall mount units. See current submittal for details.

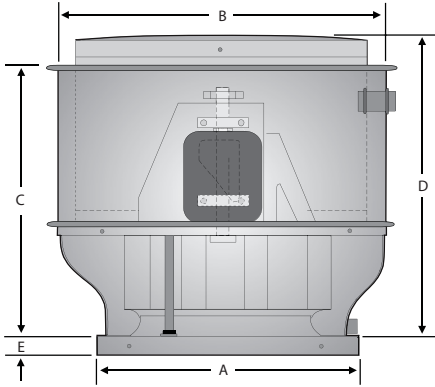
Special Coatings: Powered roof exhausters often require special coatings for protective and decorative purposes. Available coatings include: Synthetic Resin, Epoxy, and Heresite (air-dried phenolic). Contact your representative or the factory for more information on available coatings and colors.

Curb Hinge Arrangement: The curb hinge arrangement provides easy access to the exhaust fan, backdraft damper, and duct for servicing and cleaning.



PERFORMANCE/DIMENSIONS

SIZE 8



Dimensions (in.)				
A	B	C	D	E
16-1/2	24	24	27	1-3/4

Dimensional Data				Metal Thickness			Avg. Ship Wt. (lbs.)
Damper		Roof Opening	Curb OD	Curb Cap	Wind Band	Motor Cover	
ID	OD						
11	11	11-3/4	14-3/4	.063	.050	.050	68

CFM / BHP @ Static Pressure / Sones													RPM	HP	Tip Speed	
0	1/8	1/4	3/8	1/2	5/8	3/4	1	1-1/4	1-1/2	1-3/4	2	Catalog Number				
431	301	-	-	-	-	-	-	-	-	-	-	-	TXB-801	800	1/4	2130
0.01/3.8	0.01/2.5	-	-	-	-	-	-	-	-	-	-	-	-	-	-	-
485	379	-	-	-	-	-	-	-	-	-	-	-	TXB-802	900	1/4	2396
0.02/4.6	0.02/3.5	-	-	-	-	-	-	-	-	-	-	-	-	-	-	-
512	409	224	-	-	-	-	-	-	-	-	-	-	TXB-803	950	1/4	2629
0.02/5.1	0.02/4.1	0.02/3.1	-	-	-	-	-	-	-	-	-	-	-	-	-	-
538	439	294	-	-	-	-	-	-	-	-	-	-	TXB-804	1000	1/4	2662
0.03/5.6	0.03/4.7	0.03/3.6	-	-	-	-	-	-	-	-	-	-	-	-	-	-
565	468	347	-	-	-	-	-	-	-	-	-	-	TXB-805	1050	1/4	2796
0.03/6.1	0.03/5.3	0.03/4.2	-	-	-	-	-	-	-	-	-	-	-	-	-	-
592	496	399	-	-	-	-	-	-	-	-	-	-	TXB-806	1100	1/4	2929
0.04/6.6	0.03/5.8	0.04/4.8	-	-	-	-	-	-	-	-	-	-	-	-	-	-
619	525	441	249	-	-	-	-	-	-	-	-	-	TXB-807	1150	1/4	3062
0.04/7.2	0.04/6.4	0.04/5.4	0.04/4.5	-	-	-	-	-	-	-	-	-	-	-	-	-
646	554	480	329	-	-	-	-	-	-	-	-	-	TXB-808	1200	1/4	3195
0.05/7.8	0.05/7.0	0.05/6.0	0.04/5.1	-	-	-	-	-	-	-	-	-	-	-	-	-
673	583	519	389	-	-	-	-	-	-	-	-	-	TXB-809	1250	1/4	3328
0.05/8.4	0.05/7.6	0.06/6.6	0.05/5.7	-	-	-	-	-	-	-	-	-	-	-	-	-
700	612	553	439	221	-	-	-	-	-	-	-	-	TXB-810	1300	1/4	3461
0.06/9.0	0.06/8.2	0.06/7.2	0.06/6.3	0.06/5.6	-	-	-	-	-	-	-	-	-	-	-	-
727	641	583	492	328	-	-	-	-	-	-	-	-	TXB-811	1350	1/4	3594
0.06/9.7	0.06/8.8	0.07/7.8	0.07/7.0	0.06/6.2	-	-	-	-	-	-	-	-	-	-	-	-
781	698	641	571	456	236	-	-	-	-	-	-	-	TXB-812	1450	1/4	3861
0.08/10.7	0.08/9.9	0.6/9.0	0.09/8.1	0.08/7.4	0.08/6.7	-	-	-	-	-	-	-	-	-	-	-
818	738	681	628	526	384	-	-	-	-	-	-	-	TXB-813	1520	1/4	4047
0.09/11.4	0.09/10.6	0.06/9.8	0.10/9.0	0.11/8.2	0.09/7.5	-	-	-	-	-	-	-	-	-	-	-
856	777	722	676	595	476	-	-	-	-	-	-	-	TXB-814	1590	1/4	4233
0.11/12.2	0.11/11.3	0.11/10.6	0.11/9.8	0.11/9.1	0.10/8.4	-	-	-	-	-	-	-	-	-	-	-
896	820	766	721	653	553	420	-	-	-	-	-	-	TXB-815	1665	1/4	4433
0.12/13.0	0.12/12.2	0.12/11.5	0.13/10.7	0.13/10.0	0.13/9.3	0.12/8.7	-	-	-	-	-	-	-	-	-	-
972	899	846	802	761	687	587	-	-	-	-	-	-	TXB-816	1805	1/4	4806
0.15/14.5	0.16/13.9	0.15/13.3	0.16/12.6	0.17/11.8	0.17/11.1	0.16/10.6	-	-	-	-	-	-	-	-	-	-
993	921	869	825	786	717	627	334	-	-	-	-	-	TXB-817	1845	1/4	4912
0.17/15.0	0.17/14.4	0.16/13.8	0.17/13.1	0.18/12.4	0.18/11.6	0.18/11.1	0.17/10.0	-	-	-	-	-	-	-	-	-
1034	962	912	869	831	777	706	481	-	-	-	-	-	TXB-818	1920	1/4	5112
0.19/16.0	0.19/15.4	0.19/14.8	0.19/14.1	0.19/13.4	0.20/12.8	0.20/12.1	0.18/11.0	-	-	-	-	-	-	-	-	-
1074	1005	955	912	875	834	766	583	-	-	-	-	-	TXB-819	1995	1/4	5312
0.21/17.1	0.21/16.4	0.21/15.9	0.21/15.2	0.21/14.5	0.22/13.8	0.22/13.2	0.20/12.1	-	-	-	-	-	-	-	-	-
1115	1047	998	955	918	883	824	664	390	-	-	-	-	TXB-820	2070	1/4	5511
0.23/18.1	0.24/17.5	0.23/16.9	0.23/16.3	0.27/15.6	0.25/14.9	0.25/14.3	0.24/13.1	0.23/12.1	-	-	-	-	-	-	-	-
1141	1075	1026	984	947	913	865	713	493	-	-	-	-	TXB-821	2120	1/3	5644
0.25/18.8	0.25/18.2	0.25/17.6	0.25/17.1	0.25/16.3	0.26/15.6	0.27/15.0	0.27/13.8	0.24/12.9	-	-	-	-	-	-	-	-
1222	1159	1111	1070	1034	1001	969	858	697	-	-	-	-	TXB-822	2270	1/3	6044
0.31/21	0.31/20	0.31/19.9	0.31/19.3	0.31/18.6	0.31/18.0	0.33/17.3	0.33/16.1	0.30/15.0	-	-	-	-	-	-	-	-

Power Ratings (BHP) does not include transmission losses.
 Performance certified is for installation type A - free inlet, free outlet.
 Performance ratings do not include the effects of birdscreen in the airstream.
 The sound ratings shown are loudness values in fan sones @ 5' (1.5m) in a hemispherical free field calculated per AMCA Standard 301. Values shown are for: Installation Type A: free inlet hemispherical sone levels.



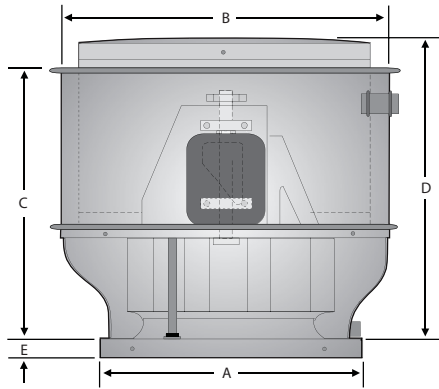
JencoFan Ventilation Systems, LLC., Div. of Soler & Palau Ventilation Group, certifies that the Models TXB shown herein are licensed to bear the AMCA Seal. The ratings shown are based on test and procedures performed in accordance with AMCA Publication 211 and AMCA Publication 311 and comply with the requirement of the AMCA Certified Ratings Program.



UL STANDARD 705 for Electrical
 UL STANDARD 762 for Grease Removal



SIZE 10



Dimensions (in.)				
A	B	C	D	E
16-1/2	27	26	29	1-3/4

Dimensional Data				Metal Thickness			Avg. Ship Wt. (lbs.)
Damper		Roof Opening	Curb OD	Curb Cap	Wind Band	Motor Cover	
ID	OD						
11	11	11-3/4	14-3/4	.063	.050	.050	70

CFM / BHP @ Static Pressure / Sones													Catalog Number	RPM	HP	Tip Speed
0	1/8	1/4	3/8	1/2	5/8	3/4	1	1-1/4	1-1/2	1-3/4	2					
628	386	-	-	-	-	-	-	-	-	-	-	-	TXB-1001	640	1/4	2052
0.02/2.9	0.02/1.9	-	-	-	-	-	-	-	-	-	-	-	-	-	-	-
667	448	-	-	-	-	-	-	-	-	-	-	-	TXB-1002	680	1/4	2181
0.03/3.3	0.03/2.3	-	-	-	-	-	-	-	-	-	-	-	-	-	-	-
706	506	-	-	-	-	-	-	-	-	-	-	-	TXB-1003	720	1/4	2309
0.03/3.7	0.03/2.8	-	-	-	-	-	-	-	-	-	-	-	-	-	-	-
746	560	-	-	-	-	-	-	-	-	-	-	-	TXB-1004	760	1/4	2437
0.04/4.2	0.04/3.3	-	-	-	-	-	-	-	-	-	-	-	-	-	-	-
785	612	349	-	-	-	-	-	-	-	-	-	-	TXB-1005	800	1/4	2566
0.05/4.8	0.05/3.8	0.04/3.5	-	-	-	-	-	-	-	-	-	-	-	-	-	-
863	711	504	-	-	-	-	-	-	-	-	-	-	TXB-1006	880	1/4	2822
0.06/5.8	0.06/4.9	0.06/4.4	-	-	-	-	-	-	-	-	-	-	-	-	-	-
903	758	570	-	-	-	-	-	-	-	-	-	-	TXB-1007	920	1/4	2950
0.07/6.3	0.07/5.5	0.07/4.9	-	-	-	-	-	-	-	-	-	-	-	-	-	-
981	851	689	471	-	-	-	-	-	-	-	-	-	TXB-1008	1000	1/4	3207
0.09/7.5	0.09/6.6	0.09/6.0	0.09/5.8	-	-	-	-	-	-	-	-	-	-	-	-	-
1020	896	745	550	242	-	-	-	-	-	-	-	-	TXB-1009	1040	1/4	3335
0.10/8.0	0.11/7.2	0.11/6.6	0.10/6.3	0.08/6.3	-	-	-	-	-	-	-	-	-	-	-	-
1099	985	851	687	468	-	-	-	-	-	-	-	-	TXB-1010	1120	1/4	3592
0.13/9.3	0.13/8.4	0.13/7.8	0.13/7.3	0.12/7.3	-	-	-	-	-	-	-	-	-	-	-	-
1128	1017	889	734	534	-	-	-	-	-	-	-	-	TXB-1011	1150	1/4	3688
0.14/9.7	0.14/8.8	0.14/8.2	0.14/7.7	0.13/7.6	-	-	-	-	-	-	-	-	-	-	-	-
1236	1136	1023	894	739	542	-	-	-	-	-	-	-	TXB-1012	1260	1/4	4041
0.18/11.1	0.19/10.3	0.19/9.6	0.19/9.1	0.18/8.8	0.17/8.8	-	-	-	-	-	-	-	-	-	-	-
1290	1195	1088	968	828	657	429	-	-	-	-	-	-	TXB-1013	1315	1/4	4217
0.21/12	0.21/11.1	0.21/10.4	0.21/9.9	0.21/9.5	0.20/9.4	0.18/9.4	-	-	-	-	-	-	-	-	-	-
1339	1248	1146	1033	903	750	558	-	-	-	-	-	-	TXB-1014	1365	1/4	4378
0.23/12.7	0.24/11.9	0.24/11.2	0.24/10.6	0.24/10.2	0.23/10.1	0.22/10.1	-	-	-	-	-	-	-	-	-	-
1393	1306	1209	1103	983	845	678	-	-	-	-	-	-	TXB-1015	1420	1/4	4554
0.26/13.5	0.26/12.8	0.27/12.1	0.27/11.5	0.27/11.1	0.26/10.7	0.25/10.7	-	-	-	-	-	-	-	-	-	-
1452	1368	1277	1177	1066	940	794	-	-	-	-	-	-	TXB-1016	1480	1/3	4746
0.29/14.5	0.30/13.8	0.30/13.2	0.30/12.5	0.30/12.1	0.30/11.6	0.29/11.6	-	-	-	-	-	-	-	-	-	-
1501	1421	1334	1238	1133	1015	881	530	-	-	-	-	-	TXB-1017	1530	1/3	4907
0.32/15.5	0.33/14.6	0.34/13.9	0.34/13.3	0.34/12.9	0.33/12.5	0.33/12.3	0.29/12.3	-	-	-	-	-	-	-	-	-
1540	1462	1377	1285	1185	1074	949	630	-	-	-	-	-	TXB-1018	1570	1/2	5033
0.35/16.2	0.36/15.5	0.36/14.8	0.36/14.1	0.36/13.6	0.36/13.2	0.36/12.9	0.33/12.9	-	-	-	-	-	-	-	-	-
1570	1493	1410	1321	1223	1116	997	699	-	-	-	-	-	TXB-1019	1600	1/2	5131
0.37/16.8	0.38/16.1	0.38/15.4	0.38/14.7	0.38/14.1	0.38/13.7	0.38/13.4	0.35/13.4	-	-	-	-	-	-	-	-	-
1599	1524	1443	1356	1261	1158	1044	763	-	-	-	-	-	TXB-1020	1630	1/2	5227
0.39/17.4	0.40/16.7	0.40/16.0	0.41/15.3	0.41/14.7	0.41/14.3	0.40/13.9	0.38/13.8	-	-	-	-	-	-	-	-	-
1638	1565	1486	1402	1311	1213	1104	844	471	-	-	-	-	TXB-1021	1670	1/2	5356
0.42/18.1	0.43/17.4	0.43/16.8	0.44/16.1	0.44/15.5	0.44/15.1	0.43/14.7	0.42/14.5	0.36/14.5	-	-	-	-	-	-	-	-
1731	1663	1589	1511	1428	1338	1240	1015	727	-	-	-	-	TXB-1022	1765	1/2	5660
0.50/20	0.51/19.2	0.51/18.4	0.52/17.8	0.52/17.4	0.52/16.9	0.51/16.6	0.50/16.1	0.47/16.1	-	-	-	-	-	-	-	-

Power Ratings (BHP) does not include transmission losses.
Performance certified is for installation type A - free inlet, free outlet.
Performance ratings do not include the effects of birdscreen in the airstream.
The sound ratings shown are loudness values in fan sones @ 5' (1.5m) in a hemispherical free field calculated per AMCA Standard 301. Values shown are for: Installation Type A: free inlet hemispherical sone levels.



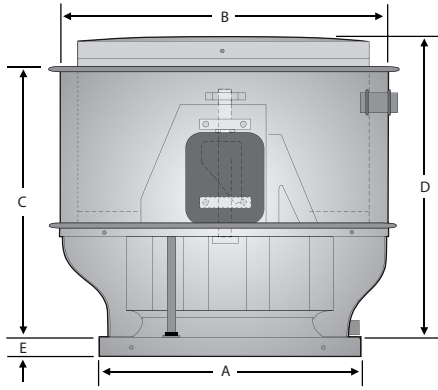
JencoFan Ventilation Systems, LLC., Div. of Soler & Palau Ventilation Group, certifies that the Models TXB shown herein are licensed to bear the AMCA Seal. The ratings shown are based on test and procedures performed in accordance with AMCA Publication 211 and AMCA Publication 311 and comply with the requirement of the AMCA Certified Ratings Program.



UL STANDARD 705 for Electrical
UL STANDARD 762 for Grease Removal



SIZE 12



Dimensions (in.)				
A	B	C	D	E
24	31-1/2	26	29	2-1/2

Dimensional Data				Metal Thickness			Avg. Ship Wt. (lbs.)
Damper		Roof Opening	Curb OD	Curb Cap	Wind Band	Motor Cover	
ID	OD						
18	18	19-1/4	22-1/4	.063	.050	.050	90

CFM / BHP @ Static Pressure / Sones													RPM	HP	Tip Speed
0	1/8	1/4	3/8	1/2	5/8	3/4	1	1-1/4	1-1/2	1-3/4	2	Catalog Number			
1055	945	836	687	466	-	-	-	-	-	-	-	TXB-12161	1050	1/4	3367
0.09/7.7	0.09/7.2	0.09/6.8	0.09/6.4	0.09/5.9	-	-	-	-	-	-	-	-	-	-	-
1120	1016	916	789	623	-	-	-	-	-	-	-	TXB-12162	1115	1/4	3576
0.10/8.7	0.11/8.2	0.11/7.8	0.11/7.3	0.11/6.9	-	-	-	-	-	-	-	-	-	-	-
1185	1085	994	883	740	539	-	-	-	-	-	-	TXB-12163	1180	1/4	3784
0.12/9.8	0.13/9.3	0.13/8.8	0.13/8.3	0.13/7.9	0.13/7.6	-	-	-	-	-	-	-	-	-	-
1251	1154	1070	970	845	693	383	-	-	-	-	-	TXB-12164	1245	1/4	3993
0.14/10.6	0.15/10.1	0.15/9.6	0.15/9.1	0.15/8.7	0.15/8.4	0.13/8.1	-	-	-	-	-	-	-	-	-
1316	1223	1144	1054	945	812	638	-	-	-	-	-	TXB-12165	1310	1/4	4201
0.17/11.5	0.17/11.0	0.18/10.6	0.18/10.2	0.18/9.8	0.18/9.4	0.17/9.0	-	-	-	-	-	-	-	-	-
1346	1255	1177	1091	988	862	709	-	-	-	-	-	TXB-12251	1340	1/4	4297
0.18/12.0	0.18/11.5	0.19/11.1	0.19/10.6	0.19/10.2	0.19/9.9	0.19/9.5	-	-	-	-	-	-	-	-	-
1381	1292	1217	1134	1037	918	782	-	-	-	-	-	TXB-12252	1375	1/4	4410
0.19/12.5	0.20/12.1	0.21/11.7	0.21/11.2	0.21/10.8	0.21/10.4	0.21/10.1	-	-	-	-	-	-	-	-	-
1411	1323	1250	1170	1077	966	837	-	-	-	-	-	TXB-12253	1405	1/4	4506
0.21/13.0	0.21/12.6	0.22/12.1	0.22/11.7	0.22/11.3	0.22/11.0	0.22/10.6	-	-	-	-	-	-	-	-	-
1446	1360	1288	1211	1124	1019	898	461	-	-	-	-	TXB-12254	1440	1/4	4618
0.22/13.6	0.23/13.6	0.24/12.7	0.24/12.3	0.24/11.9	0.24/11.6	0.24/11.2	0.20/10.7	-	-	-	-	-	-	-	-
1477	1391	1321	1246	1163	1064	948	610	-	-	-	-	TXB-12255	1470	1/4	4714
0.24/14.1	0.24/13.6	0.25/13.2	0.25/12.9	0.25/12.5	0.25/12.1	0.25/11.7	0.23/11.1	-	-	-	-	-	-	-	-
1507	1423	1353	1281	1201	1107	996	703	-	-	-	-	TXB-12256	1500	1/4	4810
0.25/14.6	0.26/14.2	0.27/13.7	0.27/13.3	0.27/13.0	0.27/12.6	0.27/12.3	0.26/11.6	-	-	-	-	-	-	-	-
1542	1459	1391	1322	1245	1156	1051	791	-	-	-	-	TXB-12331	1535	1/3	4923
0.27/15.2	0.27/14.8	0.28/14.4	0.29/14.0	0.29/13.6	0.29/13.2	0.29/12.9	0.28/12.2	-	-	-	-	-	-	-	-
1577	1496	1429	1362	1288	1204	1105	867	-	-	-	-	TXB-12332	1570	1/3	5035
0.29/15.9	0.29/15.4	0.30/15.0	0.31/14.6	0.31/14.3	0.31/13.9	0.31/13.5	0.31/12.9	-	-	-	-	-	-	-	-
1617	1538	1472	1407	1336	1256	1165	944	515	-	-	-	TXB-12333	1610	1/3	5163
0.31/16.6	0.32/16.2	0.33/15.8	0.33/15.4	0.33/15.0	0.33/14.7	0.33/14.3	0.33/13.6	0.28/13.1	-	-	-	-	-	-	-
1652	1574	1509	1446	1378	1302	1215	1006	687	-	-	-	TXB-12334	1645	1/3	5275
0.33/17.2	0.34/16.8	0.35/17.0	0.35/17.0	0.35/16.0	0.35/16.0	0.35/16.0	0.35/15.0	0.33/14.0	-	-	-	-	-	-	-
1713	1636	1573	1513	1448	1378	1298	1106	858	-	-	-	TXB-12501	1705	1/2	5468
0.37/19.0	0.37/19.0	0.38/18.0	0.39/18.0	0.39/17.0	0.39/17.0	0.39/17.0	0.39/16.0	0.39/16.0	-	-	-	-	-	-	-
1773	1699	1637	1579	1517	1451	1378	1202	898	573	-	-	TXB-12502	1765	1/2	5660
0.41/20	0.41/20	0.42/20	0.44/19.0	0.44/19.0	0.44/18.0	0.44/18.0	0.44/17.0	0.44/17.0	0.37/16.0	-	-	-	-	-	-
1838	1766	1706	1650	1592	1529	1462	1302	1109	841	-	-	TXB-12503	1830	1/2	5869
0.45/22	0.46/22	0.47/21	0.48/21	0.49/20	0.49/20	0.49/20	0.49/19.0	0.49/18.0	0.47/18.0	-	-	-	-	-	-
1898	1828	1769	1715	1659	1600	1537	1390	1211	992	-	-	TXB-12504	1890	1/2	6061
0.50/24	0.51/23	0.52/23	0.53/22	0.54/22	0.54/21	0.54/21	0.54/20	0.54/20	0.53/19.0	-	-	-	-	-	-
1969	1900	1843	1790	1738	1681	1622	1487	1323	1134	858	-	TXB-12751	1960	3/4	6286
0.56/25	0.56/25	0.58/25	0.59/24	0.60/24	0.60/23	0.60/23	0.60/22	0.60/22	0.60/21	0.57/21	-	-	-	-	-
2039	1972	1917	1865	1815	1761	1705	1581	1432	1258	1045	601	TXB-12752	2030	3/4	6510
0.62/27	0.63/27	0.64/26	0.65/26	0.66/26	0.67/25	0.67/25	0.66/24	0.66/24	0.67/23	0.65/22	0.54/22	-	-	-	-
2104	2039	1985	1934	1886	1835	1781	1665	1528	1366	1184	917	TXB-12753	2095	3/4	6719
0.68/29	0.69/29	0.70/28	0.71/28	0.73/28	0.73/27	0.73/27	0.73/26	0.73/25	0.73/25	0.73/24	0.69/24	-	-	-	-
2175	2111	2058	2009	1961	1913	1862	1753	1627	1478	1312	1105	TXB-12754	2165	3/4	6943
0.75/32	0.76/31	0.77/31	0.78/30	0.80/30	0.81/29	0.81/29	0.81/28	0.81/27	0.81/27	0.81/26	0.79/26	-	-	-	-

Power Ratings (BHP) does not include transmission losses.
 Performance certified is for installation type A - free inlet, free outlet.
 Performance ratings do not include the effects of birdscreen in the airstream.
 The sound ratings shown are loudness values in fan sones @ 5' (1.5m) in a hemispherical free field calculated per AMCA Standard 301. Values shown are for: Installation Type A: free inlet hemispherical sone levels.



JencoFan Ventilation Systems, LLC., Div. of Soler & Palau Ventilation Group, certifies that the Models TXB shown herein are licensed to bear the AMCA Seal. The ratings shown are based on test and procedures performed in accordance with AMCA Publication 211 and AMCA Publication 311 and comply with the requirement of the AMCA Certified Ratings Program.

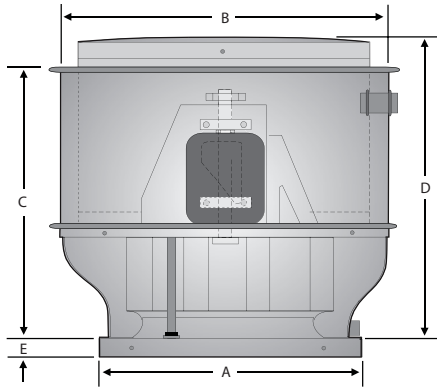


UL STANDARD 705 for Electrical
UL STANDARD 762 for Grease Removal



MODEL TXB
BELT DRIVE CENTRIFUGAL UPBLAST ROOF EXHAUSTER

SIZE 15



Dimensions (in.)				
A	B	C	D	E
24	31-1/2	26	29	2-1/2

Dimensional Data				Metal Thickness			Avg. Ship Wt. (lbs.)
Damper		Roof Opening	Curb OD	Curb Cap	Wind Band	Motor Cover	
ID	OD						
18	18	19-1/4	22-1/4	.063	.050	.050	95

CFM / BHP @ Static Pressure / Sones													RPM	HP	Tip Speed
0	1/8	1/4	3/8	1/2	5/8	3/4	1	1-1/4	1-1/2	1-3/4	2	Catalog Number			
1525	1301	1019	-	-	-	-	-	-	-	-	-	TXB-15161	700	1/4	2792
0.09/6.8	0.09/6.0	0.09/5.2	-	-	-	-	-	-	-	-	-	-	-	-	-
1710	1513	1286	972	-	-	-	-	-	-	-	-	TXB-15162	785	1/4	3134
0.12/8.3	0.13/7.4	0.13/6.9	0.12/5.9	-	-	-	-	-	-	-	-	-	-	-	-
1895	1719	1525	1291	944	-	-	-	-	-	-	-	TXB-15163	870	1/4	3473
0.17/9.9	0.17/9.0	0.18/8.4	0.17/7.7	0.16/6.9	-	-	-	-	-	-	-	-	-	-	-
1938	1767	1579	1356	1047	-	-	-	-	-	-	-	TXB-15251	890	1/4	3553
0.18/10.3	0.19/9.4	0.19/8.8	0.19/8.2	0.18/7.3	-	-	-	-	-	-	-	-	-	-	-
1982	1814	1632	1420	1137	544	-	-	-	-	-	-	TXB-15252	910	1/4	3633
0.19/10.7	0.20/9.8	0.20/9.2	0.20/8.7	0.19/7.7	0.15/7.4	-	-	-	-	-	-	-	-	-	-
2026	1862	1685	1481	1220	763	-	-	-	-	-	-	TXB-15253	930	1/4	3713
0.21/11.1	0.21/10.2	0.21/9.6	0.21/9.2	0.21/8.2	0.18/7.7	-	-	-	-	-	-	-	-	-	-
2080	1921	1750	1556	1317	951	-	-	-	-	-	-	TXB-15254	955	1/4	3813
0.22/11.6	0.23/10.8	0.23/10.1	0.23/9.7	0.23/8.8	0.21/8.1	-	-	-	-	-	-	-	-	-	-
2124	1968	1801	1615	1389	1068	-	-	-	-	-	-	TXB-15255	975	1/4	3893
0.24/12.1	0.24/11.2	0.25/10.6	0.25/10.1	0.24/9.3	0.23/8.4	-	-	-	-	-	-	-	-	-	-
2167	2015	1852	1672	1458	1170	572	-	-	-	-	-	TXB-15256	995	1/4	3972
0.25/12.5	0.26/11.6	0.26/11.1	0.26/10.6	0.26/9.8	0.25/8.9	0.19/8.8	-	-	-	-	-	-	-	-	-
2243	2096	1941	1770	1574	1325	929	-	-	-	-	-	TXB-15331	1030	1/3	4112
0.28/13.3	0.29/12.4	0.29/11.9	0.29/11.4	0.29/10.8	0.28/9.9	0.25/9.4	-	-	-	-	-	-	-	-	-
2309	2166	2016	1853	1668	1443	1125	-	-	-	-	-	TXB-15332	1060	1/3	4232
0.31/13.9	0.31/13.1	0.32/12.7	.32/12.2	0.32/11.6	0.31/10.7	0.29/9.9	-	-	-	-	-	-	-	-	-
2385	2247	2103	1947	1774	1570	1305	-	-	-	-	-	TXB-15333	1095	1/3	4372
0.34/14.7	0.34/13.9	0.35/13.5	0.35/13.1	0.35/12.6	0.34/11.7	0.33/10.8	-	-	-	-	-	-	-	-	-
2472	2339	2201	2053	1891	1706	1479	-	-	-	-	-	TXB-15501	1135	1/2	4531
0.38/15.7	0.38/14.9	0.39/14.5	0.39/14.0	0.39/13.6	0.39/12.9	0.38/12.0	-	-	-	-	-	-	-	-	-
2559	2431	2298	2157	2004	1833	1632	953	-	-	-	-	TXB-15502	1175	1/2	4691
0.42/16.7	0.42/16.0	0.43/15.6	0.43/15.1	0.43/14.6	0.43/14.1	0.42/13.2	0.35/12.1	-	-	-	-	-	-	-	-
2646	2522	2394	2260	2115	1956	1774	1247	-	-	-	-	TXB-15503	1215	1/2	4851
0.46/17.7	0.47/17.1	0.47/16.7	0.48/16.3	0.48/15.8	0.48/15.3	0.47/14.4	0.43/13.0	-	-	-	-	-	-	-	-
2733	2613	2490	2361	2223	2074	1906	1462	-	-	-	-	TXB-15504	1255	1/2	5011
0.51/18.7	0.52/18.2	0.52/17.8	0.52/17.4	0.53/16.9	0.53/16.4	0.52/15.7	0.49/14.0	-	-	-	-	-	-	-	-
2831	2715	2597	2473	2343	2203	2048	1664	928	-	-	-	TXB-15751	1300	3/4	5190
0.57/19.8	0.57/19.2	0.58/18.8	0.58/18.4	0.58/17.9	0.58/17.4	0.56/15.2	0.46/14.5	-	-	-	-	-	-	-	-
2929	2817	2703	2585	2460	2328	2184	1841	1308	-	-	-	TXB-15752	1345	3/4	5370
0.63/21	0.63/20	0.64/19.8	0.64/19.4	0.65/19.0	0.65/18.5	0.65/18.0	0.63/16.5	0.57/15.2	-	-	-	-	-	-	-
3027	2919	2809	2695	2576	2450	2316	2003	1569	-	-	-	TXB-15753	1390	3/4	5549
0.69/22	0.70/21	0.70/21	0.71/20	0.71/20	0.71/19.6	0.71/19.1	0.70/17.7	0.66/16.1	-	-	-	-	-	-	-
3125	3020	2914	2804	2690	2571	2444	2155	1782	1129	-	-	TXB-15754	1435	3/4	5729
0.76/23	0.77/22	0.77/22	0.78/21	0.78/21	0.79/21	0.79/20	0.78/19.0	0.75/17.4	0.64/16.7	-	-	-	-	-	-
3213	3110	3007	2901	2791	2676	2555	2284	1948	1444	-	-	TXB-15101	1475	1	5889
0.83/24	0.83/24	0.84/23	0.85/22	0.85/22	0.85/22	0.85/21	0.85/20	0.83/18.5	0.75/17.4	-	-	-	-	-	-
3330	3200	3100	2997	2891	2780	2664	2408	2100	1679	805	-	TXB-15102	1515	1	6049
0.90/25	0.90/25	0.91/24	0.92/23	0.92/23	0.92/23	0.93/22	0.92/21	0.91/19.7	0.85/18.2	0.64/18.1	-	-	-	-	-
3376	3279	3181	3080	2977	2870	2758	2513	2226	1853	1220	-	TXB-15103	1550	1	6188
0.96/26	0.97/25	0.97/25	0.98/24	0.98/24	0.99/24	0.99/23	0.99/22	0.98/21	0.93/19.3	0.80/18.8	-	-	-	-	-
3463	3368	3273	3175	3075	2972	2864	2631	2362	2029	1538	-	TXB-15104	1590	1	6348
1.04/27	1.04/27	1.05/26	1.06/25	1.06/25	1.07/25	1.07/24	1.07/23	1.06/22	1.03/21	0.94/19.6	-	-	-	-	-
3692	3603	3514	3423	3330	3235	3136	2927	2696	2428	2095	1612	TXB-15151	1695	1-1/2	6767
1.26/30	1.26/30	1.27/29	1.28/28	1.28/28	1.29/27	1.29/27	1.30/26	1.29/26	1.28/24	1.23/23	1.13/22	-	-	-	-
3931	3848	3764	3679	3593	3505	3414	3225	3020	2792	2530	2209	TXB-15152	1805	1-1/2	7206
1.52/34	1.53/33	1.53/32	1.54/32	1.55/31	1.55/31	1.56/30	1.56/30	1.57/29	1.56/28	1.53/26	1.49/25	-	-	-	-

Power Ratings (BHP) does not include transmission losses. Performance certified is for installation type A - free inlet, free outlet. Performance ratings do not include the effects of birdscreen in the airstream. The sound ratings shown are loudness values in fan sones @ 5' (1.5m) in a hemispherical free field calculated per AMCA Standard 301. Values shown are for: Installation Type A: free inlet hemispherical sone levels.



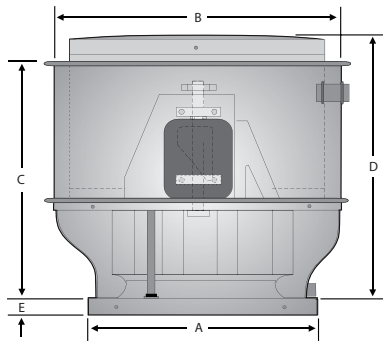
JencoFan Ventilation Systems, LLC., Div. of Soler & Palau Ventilation Group, certifies that the Models TXB shown herein are licensed to bear the AMCA Seal. The ratings shown are based on test and procedures performed in accordance with AMCA Publication 211 and AMCA Publication 311 and comply with the requirement of the AMCA Certified Ratings Program.



UL STANDARD 705 for Electrical
UL STANDARD 762 for Grease Removal



SIZE 15 - HIGH PRESSURE



Dimensions (in.)				
A	B	C	D	E
24	31-1/2	26	29	2-1/2

Dimensional Data				Metal Thickness			Avg. Ship Wt. (lbs.)
Damper		Roof Opening	Curb OD	Curb Cap	Wind Band	Motor Cover	
ID	OD						
18	18	19-1/4	22-1/4	.063	.050	.050	95

CFM / BHP @ Static Pressure / Sones													Catalog Number	RPM	HP	Tip Speed
1/4	3/8	1/2	5/8	3/4	1	1-1/4	1-1/2	1-3/4	2	2-1/4	2-1/2					
1033	573	-	-	-	-	-	-	-	-	-	-	-	TXBHP-15161	740	1/4	2954
0.09/5.4	0.07/4.8	-	-	-	-	-	-	-	-	-	-	-	TXBHP-15162	825	1/4	3294
1266	1003	-	-	-	-	-	-	-	-	-	-	-	TXBHP-15163	910	1/4	3633
0.13/7.5	0.12/6.1	-	-	-	-	-	-	-	-	-	-	-	TXBHP-15251	935	1/4	3733
1479	1276	989	-	-	-	-	-	-	-	-	-	-	TXBHP-15252	955	1/4	3813
0.17/9.7	0.17/8.2	0.16/7.4	-	-	-	-	-	-	-	-	-	-	TXBHP-15253	980	1/4	3913
1539	1348	1092	-	-	-	-	-	-	-	-	-	-	TXBHP-15254	1000	1/4	3992
0.18/10.4	0.18/8.9	0.18/7.8	-	-	-	-	-	-	-	-	-	-	TXBHP-15255	1025	1/4	4092
1586	1403	1166	737	-	-	-	-	-	-	-	-	-	TXBHP-15256	1045	1/4	4172
0.19/11.0	0.19/9.5	0.19/8.2	0.16/8.2	-	-	-	-	-	-	-	-	-	TXBHP-15331	1080	1/3	4312
1645	1471	1253	916	-	-	-	-	-	-	-	-	-	TXBHP-15332	1110	1/3	4432
0.21/11.7	0.21/10.3	0.21/8.9	0.19/8.7	-	-	-	-	-	-	-	-	-	TXBHP-15333	1145	1/3	4571
1692	1524	1319	1024	-	-	-	-	-	-	-	-	-	TXBHP-15501	1190	1/2	4751
0.22/12.3	0.22/10.9	0.22/9.4	0.21/9.0	-	-	-	-	-	-	-	-	-	TXBHP-15502	1230	1/2	4911
1749	1589	1397	1138	-	-	-	-	-	-	-	-	-	TXBHP-15503	1270	1/2	5070
0.24/13.1	0.24/11.7	0.24/10.2	0.23/9.5	-	-	-	-	-	-	-	-	-	TXBHP-15504	1310	1/2	5230
1795	1640	1456	1219	796	-	-	-	-	-	-	-	-	TXBHP-15751	1360	3/4	5430
0.25/13.8	0.26/12.4	0.25/10.8	0.24/9.9	0.21/9.9	-	-	-	-	-	-	-	-	TXBHP-15752	1405	3/4	5609
1874	1727	1557	1348	1041	-	-	-	-	-	-	-	-	TXBHP-15753	1455	3/4	5809
0.28/14.9	0.28/13.6	0.28/11.8	0.27/10.6	0.25/10.6	-	-	-	-	-	-	-	-	TXBHP-15754	1500	3/4	5989
1941	1800	1640	1448	1190	-	-	-	-	-	-	-	-	TXBHP-15101	1545	1	6168
0.30/15.4	0.31/14.3	0.31/12.7	0.30/11.4	0.29/11.0	-	-	-	-	-	-	-	-	TXBHP-15102	1590	1	6348
2019	1885	1734	1558	1337	-	-	-	-	-	-	-	-	TXBHP-15103	1635	1	6527
0.33/16.2	0.33/15.1	0.34/13.7	.33/12.2	0.32/11.5	-	-	-	-	-	-	-	-	TXBHP-15104	1680	1	6707
2118	1991	1851	1691	1500	-	-	-	-	-	-	-	-	TXBHP-15151	1785	1-1/2	7127
0.37/17.1	0.37/16.3	0.38/14.9	.38/13.4	0.37/12.2	-	-	-	-	-	-	-	-	TXBHP-15152	1895	1-1/2	7568
2205	2084	1952	1804	1632	1100	-	-	-	-	-	-	-				
0.41/17.9	0.41/17.3	0.42/16.1	.42/14.6	0.41/13.3	0.36/12.7	-	-	-	-	-	-	-				
2292	2176	2050	1912	1755	1320	-	-	-	-	-	-	-				
0.45/18.7	0.45/18.4	.46/17.2	.46/15.8	0.46/14.5	0.42/13.4	-	-	-	-	-	-	-				
2378	2267	2147	2017	1871	1495	-	-	-	-	-	-	-				
0.49/19.5	0.50/19.4	0.50/18.3	.50/16.9	0.50/15.7	0.48/14.1	-	-	-	-	-	-	-				
2485	2379	2266	2144	2010	1683	1121	-	-	-	-	-	-				
0.55/20	0.55/20	0.56/19.6	.56/18.5	0.56/17.1	0.55/15.1	0.47/15.0	-	-	-	-	-	-				
2580	2479	2371	2256	2131	1835	1402	-	-	-	-	-	-				
0.60/21	0.61/21	0.62/21	0.62/19.8	0.62/18.6	0.61/16.4	0.56/15.9	-	-	-	-	-	-				
2686	2589	2486	2377	2261	1992	1632	824	-	-	-	-	-				
0.67/23	0.68/23	0.68/22	0.69/21	0.69/20	0.68/17.9	0.65/16.9	0.48/16.9	-	-	-	-	-				
2781	2687	2589	2485	2374	2124	1808	1303	-	-	-	-	-				
0.73/23	0.74/23	0.75/23	0.75/22	0.75/21	0.75/19.3	0.73/17.7	0.65/17.7	-	-	-	-	-				
2875	2784	2690	2591	2486	2252	1966	1566	-	-	-	-	-				
0.80/24	0.81/24	0.81/24	0.82/24	0.82/23	0.82/21	0.81/18.9	0.75/18.7	-	-	-	-	-				
2969	2881	2790	2695	2595	2374	2113	1772	1154	-	-	-	-				
0.87/26	0.88/26	0.89/26	0.89/25	0.90/24	0.90/22	0.89/20	0.85/19.6	0.71/19.6	-	-	-	-				
3062	2978	2890	2799	2703	2494	2251	1950	1504	-	-	-	-				
0.95/27	0.95/27	0.96/27	0.97/27	0.97/26	0.98/24	0.97/22	0.94/21	0.86/21	-	-	-	-				
3156	3074	2989	2901	2809	2610	2384	2111	1746	950	-	-	-				
1.03/29	1.03/29	1.04/29	1.05/29	1.05/28	1.06/26	1.06/24	1.04/22	0.98/21	0.74/21	-	-	-				
3372	3296	3217	3136	3052	2873	2674	2448	2176	1813	1067	-	-				
1.23/33	1.24/33	1.25/33	1.25/33	1.26/32	1.27/30	1.27/28	1.26/26	1.23/24	1.16/24	0.91/24	-	-				
3598	3527	3454	3378	3301	3137	2961	2765	2543	2278	1931	1318	-				
1.47/37	1.48/37	1.49/37	1.49/37	1.50/37	1.51/35	1.52/33	1.52/30	1.51/28	1.47/27	1.40/27	1.18/27	-				

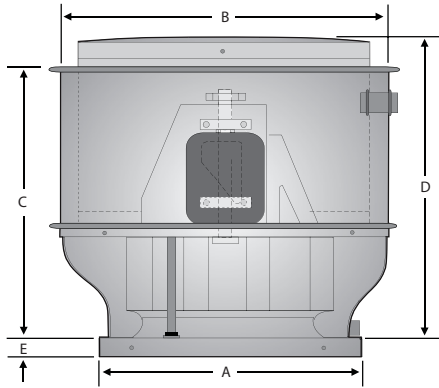
Power Ratings (BHP) does not include transmission losses.
 Performance certified is for installation type A - free inlet, free outlet.
 Performance ratings do not include the effects of birdscreen in the airstream.
 The sound ratings shown are loudness values in fan sones @ 5' (1.5m) in a hemispherical free field calculated per AMCA Standard 301. Values shown are for Installation Type A: free inlet hemispherical sone levels.



JencoFan Ventilation Systems, LLC., Div. of Soler & Palau Ventilation Group, certifies that the Models TXB shown herein are licensed to bear the AMCA Seal. The ratings shown are based on test and procedures performed in accordance with AMCA Publication 211 and AMCA Publication 311 and comply with the requirement of the AMCA Certified Ratings Program.



SIZE 16



Dimensions (in.)				
A	B	C	D	E
24	31-1/2	26	29	2-1/2

Dimensional Data				Metal Thickness			Avg. Ship Wt. (lbs.)
Damper		Roof Opening	Curb OD	Curb Cap	Wind Band	Motor Cover	
ID	OD						
18	18	19-1/4	22-1/4	.063	.050	.050	100

CFM / BHP @ Static Pressure / Sones													RPM	HP	Tip Speed	
0	1/8	1/4	3/8	1/2	5/8	3/4	7/8	1	1-1/4	1-1/2	1-3/4	Catalog Number				
2223	2016	1746	1375	-	-	-	-	-	-	-	-	-	TXB-1601	680	1/4	3202
0.15/7.9	0.16/7.5	0.16/6.7	0.15/5.2	-	-	-	-	-	-	-	-	-				
2289	2086	1829	1490	-	-	-	-	-	-	-	-	-	TXB-1602	700	1/4	3297
0.16/8.4	0.17/7.9	0.18/7.2	0.17/5.7	-	-	-	-	-	-	-	-	-				
2354	2156	1911	1594	1007	-	-	-	-	-	-	-	-	TXB-1603	720	1/4	3391
0.18/8.8	0.19/8.3	0.19/7.7	0.19/6.3	0.16/5.1	-	-	-	-	-	-	-	-				
2485	2295	2071	1796	1410	-	-	-	-	-	-	-	-	TXB-1604	760	1/4	3580
0.21/9.8	0.22/9.2	0.23/8.8	0.22/7.4	0.21/6.2	-	-	-	-	-	-	-	-				
2550	2364	2152	1897	1554	-	-	-	-	-	-	-	-	TXB-1605	780	1/4	3674
0.23/10.2	0.24/9.8	0.24/9.3	0.24/8.1	0.23/6.8	-	-	-	-	-	-	-	-				
2616	2432	2235	1993	1676	1052	-	-	-	-	-	-	-	TXB-1606	800	1/4	3768
0.24/10.7	0.26/10.2	0.26/9.8	0.27/8.7	0.25/7.3	0.21/6.2	-	-	-	-	-	-	-				
2681	2501	2317	2084	1782	1307	-	-	-	-	-	-	-	TXB-1607	820	1/3	3862
0.26/11.2	0.28/10.8	0.28/10.3	0.29/9.3	0.28/8.0	0.25/6.8	-	-	-	-	-	-	-				
2747	2569	2397	2169	1884	1495	-	-	-	-	-	-	-	TXB-1608	840	1/3	3956
0.28/11.7	0.30/11.3	0.30/10.9	0.31/9.9	0.30/8.6	0.28/7.4	-	-	-	-	-	-	-				
2877	2705	2553	2333	2087	1789	1208	-	-	-	-	-	-	TXB-1609	880	1/3	4145
0.32/12.8	0.35/12.3	0.35/11.9	0.35/11.4	0.35/9.9	0.34/8.6	0.28/7.5	-	-	-	-	-	-				
2943	2773	2629	2413	2187	1904	1450	-	-	-	-	-	-	TXB-1610	900	1/2	4239
0.35/13.3	0.37/12.9	0.37/12.5	0.38/12.1	0.38/10.6	0.36/9.3	0.33/8.2	-	-	-	-	-	-				
3057	2892	2757	2553	2353	2086	1759	1025	-	-	-	-	-	TXB-1611	935	1/2	4404
0.39/14.3	0.41/13.9	0.41/13.9	0.42/13.1	0.42/11.9	0.41/10.5	0.39/9.3	0.30/8.3	-	-	-	-	-				
3172	3010	2881	2697	2505	2262	1997	1545	-	-	-	-	-	TXB-1612	970	1/2	4569
0.43/15.3	0.46/14.9	0.47/14.6	0.47/14.2	0.48/13.1	0.46/11.8	0.45/10.5	0.41/9.5	-	-	-	-	-				
3270	3111	2986	2820	2628	2414	2161	1821	1105	-	-	-	-	TXB-1613	1000	1/2	4710
0.48/16.2	0.50/15.8	0.51/15.5	0.51/15.1	0.52/14.4	0.51/12.9	0.50/11.7	0.47/10.5	0.37/9.5	-	-	-	-				
3335	3179	3056	2901	2709	2512	2264	1975	1448	-	-	-	-	TXB-1614	1020	1/2	4804
0.51/16.8	0.50/16.4	0.54/16.1	0.54/15.7	0.55/15.2	0.55/13.7	0.53/12.4	0.51/11.2	0.45/10.1	-	-	-	-				
3433	3280	3160	3020	2830	2652	2413	2170	1780	-	-	-	-	TXB-1615	1050	3/4	4946
0.55/17.7	0.58/17.3	0.59/17.0	0.59/16.7	0.60/16.3	0.60/14.9	0.59/13.5	0.57/12.3	0.53/11.2	-	-	-	-				
3531	3381	3263	3136	2949	2781	2567	2333	2034	-	-	-	-	TXB-1616	1080	3/4	5087
0.60/18.6	0.63/18.3	0.64/18.0	0.64/17.6	0.65/17.3	0.66/16.2	0.64/14.8	0.63/13.5	0.60/12.4	-	-	-	-				
3629	3481	3367	3249	3073	2906	2716	2487	2243	-	-	-	-	TXB-1617	1110	3/4	5181
0.65/19.6	0.69/19.3	0.70/19.0	0.70/18.7	0.70/18.4	0.71/17.4	0.71/16	0.69/14.8	0.67/13.5	-	-	-	-				
3728	3582	3469	3358	3197	3028	2858	2636	2417	1613	-	-	-	TXB-1618	1140	3/4	5369
0.71/21	0.74/20	0.75/19.9	0.76/19.7	0.76/19.4	0.77/18.8	0.77/17.3	0.75/16.0	0.74/14.8	0.63/12.6	-	-	-				
3826	3682	3572	3465	3319	3148	2992	2790	2574	1953	-	-	-	TXB-1619	1170	1	5511
0.76/22	0.80/21	0.81/21	0.82/21	0.82/20	0.83/20	0.83/18.7	0.82/17.3	0.80/16.0	0.73/13.8	-	-	-				
3907	3766	3657	3553	3419	3248	3097	2914	2700	2175	-	-	-	TXB-1620	1195	1	5628
0.81/22	0.85/22	0.87/22	0.87/22	0.87/21	0.88/21	0.89/19.9	0.88/18.5	0.86/17.1	0.81/14.9	-	-	-				
4038	3900	3794	3693	3574	3410	3261	3104	2902	2469	1556	-	-	TXB-1621	1235	1	5817
0.90/24	0.94/24	0.96/23	0.96/23	0.96/23	0.97/23	0.98/22	0.98/20	0.96/19.0	0.92/16.5	0.75/14.5	-	-				
4169	4034	3929	3832	3727	3576	3422	3279	3103	2704	2073	-	-	TXB-1622	1275	1	6005
0.99/25	1.03/25	1.05/25	1.06/24	1.06/24	1.07/24	1.07/24	1.08/22	1.07/21	1.03/18.2	.93/16	-	-				
4218	4084	3980	3884	3783	3637	3482	3342	3176	2784	2218	-	-	TXB-1623	1290	1	6076
1.02/26	1.07/25	1.09/25	1.09/25	1.09/24	1.10/24	1.11/24	1.12/23	1.11/21	1.07/18.8	.99/16.5	-	-				

Power Ratings (BHP) does not include transmission losses.
 Performance certified is for installation type A - free inlet, free outlet.
 Performance ratings do not include the effects of birdscreen in the airstream.
 The sound ratings shown are loudness values in fan sones @ 5' (1.5m) in a hemispherical free field calculated per AMCA Standard 301. Values shown are for: Installation Type A: free inlet hemispherical sone levels.



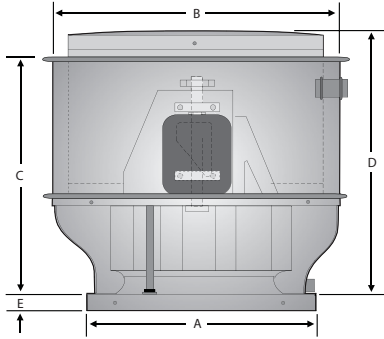
JencoFan Ventilation Systems, LLC., Div. of Soler & Palau Ventilation Group, certifies that the Models TXB shown herein are licensed to bear the AMCA Seal. The ratings shown are based on test and procedures performed in accordance with AMCA Publication 211 and AMCA Publication 311 and comply with the requirement of the AMCA Certified Ratings Program.



UL STANDARD 705 for Electrical
 UL STANDARD 762 for Grease Removal



SIZE 18



Dimensions (in.)				
A	B	C	D	E
29-1/2	37-3/4	28-1/2	32	2-1/2

Dimensional Data				Metal Thickness			Avg. Ship Wt. (lbs.)
Damper		Roof Opening	Curb OD	Curb Cap	Wind Band	Motor Cover	
ID	OD						
24	24	24-3/4	27-3/4	.080	.050	.050	120

CFM / BHP @ Static Pressure / Sones													Catalog Number	RPM	HP	Tip Speed
0	1/8	1/4	3/8	1/2	5/8	3/4	1	1-1/4	1-1/2	1-3/4	2					
2247	2000	1707	-	-	-	-	-	-	-	-	-	-	TXB-18251	650	1/4	3127
0.16/7.8	0.17/6.9	0.17/6.3	-	-	-	-	-	-	-	-	-	-	-	-	-	-
2350	2116	1844	1498	-	-	-	-	-	-	-	-	-	TXB-18252	680	1/4	3271
0.19/8.4	0.19/7.5	0.19/7.0	0.19/6.5	-	-	-	-	-	-	-	-	-	-	-	-	-
2471	2250	1998	1691	1261	-	-	-	-	-	-	-	-	TXB-18253	715	1/4	3440
0.22/9.1	0.22/8.3	0.22/7.7	0.22/7.2	0.21/6.7	-	-	-	-	-	-	-	-	-	-	-	-
2575	2364	2126	1845	1479	-	-	-	-	-	-	-	-	TXB-18254	745	1/4	3584
0.25/9.8	0.25/8.9	0.25/8.3	0.25/7.8	0.24/7.4	-	-	-	-	-	-	-	-	-	-	-	-
2644	2439	2210	1944	1608	-	-	-	-	-	-	-	-	TXB-18331	765	1/3	3680
0.27/10.2	0.27/9.4	0.27/8.8	0.27/8.3	0.27/7.8	-	-	-	-	-	-	-	-	-	-	-	-
2713	2514	2293	2039	1728	-	-	-	-	-	-	-	-	TXB-18332	785	1/3	3776
0.29/10.6	0.29/9.8	0.29/9.2	0.3/8.7	0.29/8.3	-	-	-	-	-	-	-	-	-	-	-	-
2765	2570	2354	2109	1814	1415	-	-	-	-	-	-	-	TXB-18333	800	1/3	3848
0.31/11.0	0.31/10.1	0.31/9.5	0.31/9.0	0.31/8.6	0.29/8.1	-	-	-	-	-	-	-	-	-	-	-
2834	2644	2436	2201	1923	1565	-	-	-	-	-	-	-	TXB-18334	820	1/3	3945
0.33/11.4	0.33/10.5	0.34/9.9	0.34/9.4	0.34/9.0	0.32/8.6	-	-	-	-	-	-	-	-	-	-	-
2938	2755	2556	2335	2079	1765	1321	-	-	-	-	-	-	TXB-18501	850	1/2	4089
0.37/12.1	0.37/11.2	0.37/10.5	0.38/10.1	0.37/9.6	0.37/9.2	0.33/8.9	-	-	-	-	-	-	-	-	-	-
3041	2866	2675	2466	2228	1946	1578	-	-	-	-	-	-	TXB-18502	880	1/2	4233
0.41/12.8	0.41/11.8	0.41/11.1	0.42/10.7	0.41/10.3	0.41/9.8	0.39/9.4	-	-	-	-	-	-	-	-	-	-
3145	2976	2793	2594	2371	2114	1795	-	-	-	-	-	-	TXB-18503	910	1/2	4378
0.45/13.5	0.45/12.6	0.46/11.8	0.46/11.3	0.46/10.9	0.46/10.5	0.44/10.1	-	-	-	-	-	-	-	-	-	-
3249	3085	2909	2719	2510	2272	1989	-	-	-	-	-	-	TXB-18504	940	1/2	4522
0.5/14.1	0.5/13.3	0.5/12.5	0.51/10.0	0.51/11.6	0.51/11.2	0.5/10.8	-	-	-	-	-	-	-	-	-	-
3335	3176	3006	2823	2623	2398	2137	-	-	-	-	-	-	TXB-18751	965	3/4	4642
0.54/14.8	0.54/13.9	0.54/13.2	0.55/12.6	0.55/12.2	0.55/11.7	0.54/11.3	-	-	-	-	-	-	-	-	-	-
3439	3285	3121	2945	2755	2545	2305	-	-	-	-	-	-	TXB-18752	995	3/4	4786
0.59/15.5	0.59/14.6	0.6/13.9	0.6/13.3	0.6/12.9	0.6/12.5	0.6/12.1	-	-	-	-	-	-	-	-	-	-
3525	3376	3216	3046	2864	2663	2439	1852	-	-	-	-	-	TXB-18753	1020	3/4	4907
0.64/16.1	0.64/15.3	0.64/14.5	0.64/13.9	0.65/13.5	0.65/13.1	0.65/12.7	0.61/11.9	-	-	-	-	-	-	-	-	-
3629	3484	3329	3166	2992	2802	2592	2068	-	-	-	-	-	TXB-18754	1050	3/4	5051
0.69/16.9	0.7/16.1	0.7/15.3	0.7/14.6	0.71/14.2	0.71/13.8	0.71/13.4	0.68/12.7	-	-	-	-	-	-	-	-	-
3715	3574	3424	3265	3097	2915	2715	2231	-	-	-	-	-	TXB-18755	1075	3/4	5171
0.74/17.5	0.75/16.7	0.75/16.0	0.75/15.3	0.76/14.8	0.76/14.4	0.76/14.0	0.74/13.3	-	-	-	-	-	-	-	-	-
3871	3736	3592	3442	3283	3113	2930	2501	-	-	-	-	-	TXB-18101	1120	1	5388
0.84/18.7	0.84/17.9	0.85/17.2	0.85/16.5	0.86/16.0	0.86/15.6	0.86/15.2	0.85/14.4	-	-	-	-	-	-	-	-	-
4009	3879	3741	3597	3446	3285	3114	2722	2215	-	-	-	-	TXB-18102	1160	1	5580
0.93/19.7	0.94/19.0	0.94/18.3	0.94/17.6	0.95/17.1	0.95/16.7	0.96/16.3	0.95/15.7	0.91/14.8	-	-	-	-	-	-	-	-
4147	4022	3889	3751	3606	3454	3293	2930	2483	1849	-	-	-	TXB-18103	1200	1	5773
1.03/21	1.04/20	1.04/19.4	1.04/18.8	1.05/18.2	1.05/17.8	1.06/17.4	1.05/16.6	1.03/15.9	0.93/15.9	-	-	-	-	-	-	-
4320	4200	4073	3942	3805	3661	3510	3178	2784	2274	-	-	-	TXB-18151	1250	1-1/2	6013
1.17/22	1.17/22	1.17/21	1.18/20	1.18/19.6	1.19/19.2	1.19/18.8	1.2/18.1	1.18/17.4	1.12/16.7	-	-	-	-	-	-	-
4493	4378	4256	4131	4001	3865	3723	3415	3059	2626	2034	-	-	TXB-18152	1300	1-1/2	6254
1.31/24	1.32/23	1.32/22	1.33/22	1.33/21	1.34/21	1.34/20	1.35/19.5	1.34/18.8	1.3/18.2	1.19/18.2	-	-	-	-	-	-
4666	4555	4438	4318	4194	4066	3931	3643	3318	2937	2456	1748	-	TXB-18153	1350	1-1/2	6494
1.47/25	1.47/24	1.48/24	1.48/23	1.49/23	1.49/22	1.5/22	1.51/21	1.5/20	1.48/19.6	1.41/19	1.22/19	-	-	-	-	-
4839	4732	4620	4505	4386	4263	4136	3865	3565	3221	2809	2269	-	TXB-18201	1400	2	6735
1.64/27	1.64/26	1.65/25	1.65/25	1.66/24	1.66/24	1.67/23	1.68/23	1.68/22	1.66/21	1.62/21	1.5/20	-	-	-	-	-
5011	4909	4801	4690	4576	4459	4338	4082	3802	3488	3123	2676	-	TXB-18202	1450	2	6975
1.82/28	1.83/27	1.83/27	1.84/26	1.84/26	1.85/25	1.76/25	1.86/24	1.87/23	1.86/23	1.83/22	1.75/22	-	-	-	-	-
5184	5085	4981	4875	4765	4653	4538	4294	4031	3741	3412	3025	-	TXB-18203	1500	2	7216
2.02/30	2.02/29	2.03/28	2.03/28	2.04/27	2.04/27	2.05/26	2.06/26	2.07/25	2.06/24	2.04/24	1.99/23	-	-	-	-	-

Power Ratings (BHP) does not include transmission losses. Performance certified is for installation type A - free inlet, free outlet. Performance ratings do not include the effects of birdscreen in the airstream. The sound ratings shown are loudness values in fan sones @ 5' (1.5m) in a hemispherical free field calculated per AMCA Standard 301. Values shown are for: Installation Type A: free inlet hemispherical sone levels.



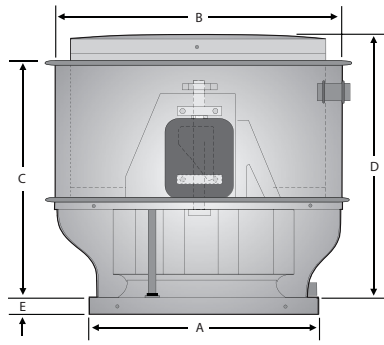
JencoFan Ventilation Systems, LLC., Div. of Solaer & Palau Ventilation Group, certifies that the Models TXB shown herein are licensed to bear the AMCA Seal. The ratings shown are based on test and procedures performed in accordance with AMCA Publication 211 and AMCA Publication 311 and comply with the requirement of the AMCA Certified Ratings Program.



UL STANDARD 705 for Electrical
UL STANDARD 762 for Grease Removal



SIZE 18 - HIGH PRESSURE



Dimensions (in.)				
A	B	C	D	E
29-1/2	37-3/4	28-1/2	32	2-1/2

Dimensional Data				Metal Thickness			Avg. Ship Wt. (lbs.)
Damper		Roof Opening	Curb OD	Curb Cap	Wind Band	Motor Cover	
ID	OD						
24	24	24-3/4	27-3/4	.080	.050	.050	120

CFM / BHP @ Static Pressure / Sones													RPM	HP	Tip Speed
5/8	3/4	1	1-1/4	1-1/2	1-3/4	2	2-1/4	2-1/2	2-3/4	3	3-1/4	Catalog Number			
1326 0.24/13.1	-	-	-	-	-	-	-	-	-	-	-	TXBHP-18254	805	1/3	3872
1479 0.26/13.5	-	-	-	-	-	-	-	-	-	-	-	TXBHP-18331	825	1/3	3969
1611 0.29/14.0	-	-	-	-	-	-	-	-	-	-	-	TXBHP-18332	845	1/3	4065
1731 0.31/14.5	1293 0.28/14.4	-	-	-	-	-	-	-	-	-	-	TXBHP-18333	865	1/3	4161
1842 0.33/15.0	1480 0.32/14.9	-	-	-	-	-	-	-	-	-	-	TXBHP-18334	885	1/3	4257
2021 0.37/15.9	1729 0.37/15.8	-	-	-	-	-	-	-	-	-	-	TXBHP-18501	920	1/2	4426
2164 0.41/16.7	1910 0.41/16.5	-	-	-	-	-	-	-	-	-	-	TXBHP-18502	950	1/2	4570
2323 0.45/17.8	2099 0.46/17.7	1244 0.38/17.5	-	-	-	-	-	-	-	-	-	TXBHP-18503	985	1/2	4738
2456 0.50/19.4	2249 0.50/19.2	1651 0.47/18.9	-	-	-	-	-	-	-	-	-	TXBHP-18504	1015	1/2	4883
2584 0.54/21	2391 0.55/21	1881 0.53/21	-	-	-	-	-	-	-	-	-	TXBHP-18751	1045	3/4	5027
2707 0.58/23	2527 0.59/23	2076 0.59/22	-	-	-	-	-	-	-	-	-	TXBHP-18752	1075	3/4	5171
2808 0.62/24	2639 0.63/24	2223 0.64/24	-	-	-	-	-	-	-	-	-	TXBHP-18753	1100	3/4	5292
2925 0.67/28	2768 0.68/26	2386 0.69/26	1802 0.65/26	-	-	-	-	-	-	-	-	TXBHP-18754	1130	3/4	5436
3040 0.72/29	2894 0.73/29	2538 0.75/30	2044 0.72/28	-	-	-	-	-	-	-	-	TXBHP-18755	1160	3/4	5580
3206 0.80/33	3076 0.82/35	2753 0.84/32	2340 0.83/32	-	-	-	-	-	-	-	-	TXBHP-18101	1205	1	5797
3388 0.90/40	3270 0.92/40	2980 0.94/37	2623 0.95/39	2120 0.90/39	-	-	-	-	-	-	-	TXBHP-18102	1255	1	6037
3548 1.00/42	3439 1.01/41	3176 1.04/41	2852 1.05/41	2439 1.03/40	-	-	-	-	-	-	-	TXBHP-18103	1300	1	6254
3742 1.12/44	3639 1.14/44	3405 1.17/44	3114 1.19/43	2766 1.19/43	2285 1.14/43	-	-	-	-	-	-	TXBHP-18151	1355	1-1/2	6518
3935 1.25/44	3837 1.27/47	3625 1.31/46	3362 1.33/46	3055 1.35/45	2671 1.32/45	2083 1.22/45	-	-	-	-	-	TXBHP-18152	1410	1-1/2	6783
4126 1.39/49	4032 1.42/49	3837 1.46/49	3600 1.49/48	3321 1.51/48	2995 1.51/48	2568 1.45/48	-	-	-	-	-	TXBHP-18153	1465	1-1/2	7047
4315 1.55/52	4224 1.57/52	4040 1.61/51	3828 1.65/51	3573 1.67/51	3284 1.69/51	2934 1.66/51	2453 1.58/51	-	-	-	-	TXBHP-18201	1520	2	7312
4503 1.71/55	4416 1.74/54	4240 1.78/54	4047 1.82/54	3816 1.85/54	3553 1.87/53	3250 1.87/53	2873 1.83/53	-	-	-	-	TXBHP-18202	1575	2	7576
4690 1.88/57	4606 1.91/57	4437 1.97/56	4259 2.01/56	4049 2.04/56	3806 2.06/56	3537 2.08/56	3219 2.06/56	2813 1.99/56	-	-	-	TXBHP-18203	1630	2	7841
5061 2.27/62	4983 2.30/62	4825 2.36/62	4665 2.41/62	4490 2.45/62	4287 2.49/62	4057 2.51/61	3807 2.53/61	3518 2.52/61	3168 2.46/61	2690 2.34/61	-	TXBHP-183001	1740	3	8370
5428 2.70/68	5356 2.74/68	5208 2.81/68	5059 2.86/68	4906 2.92/68	4735 2.96/68	4540 2.99/68	4323 3.02/68	4090 3.04/68	3829 3.03/68	3522 2.99/68	3141 2.90/68	TXBHP-183002	1850	3	8899

Power Ratings (BHP) does not include transmission losses.
 Performance certified is for installation type A - free inlet, free outlet.
 Performance ratings do not include the effects of birdscreen in the airstream.
 The sound ratings shown are loudness values in fan sones @ 5' (1.5m) in a hemispherical free field calculated per AMCA Standard 301. Values shown are for: Installation Type A: free inlet hemispherical sone levels.



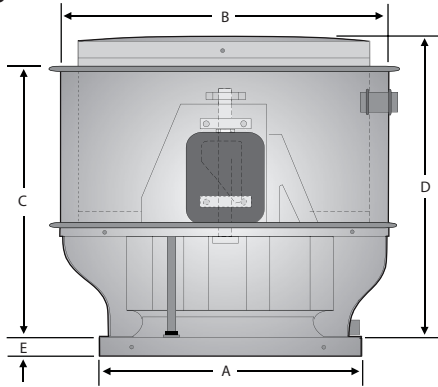
JencoFan Ventilation Systems, LLC., Div. of Soler & Palau Ventilation Group, certifies that the Models TXB shown herein are licensed to bear the AMCA Seal. The ratings shown are based on test and procedures performed in accordance with AMCA Publication 211 and AMCA Publication 311 and comply with the requirement of the AMCA Certified Ratings Program.



UL STANDARD 705 for Electrical
UL STANDARD 762 for
Grease Removal



SIZE 20



Dimensions (in.)				
A	B	C	D	E
29-1/2	37-3/4	28-1/2	32	2-1/2

Dimensional Data				Metal Thickness			Avg. Ship Wt. (lbs.)
Damper		Roof Opening	Curb OD	Curb Cap	Wind Band	Motor Cover	
ID	OD						
24	24	24-3/4	27-3/4	.063	.050	.050	120

CFM / BHP @ Static Pressure / Sones											RPM	HP	Tip Speed
0	1/8	1/4	3/8	1/2	5/8	3/4	7/8	1	1-1/4	Catalog Number			
2813	2452	1962	-	-	-	-	-	-	-	TXB-20251	525	1/4	2935
0.15/7.6	0.16/6.7	0.17/6.4	-	-	-	-	-	-	-	TXB-20252	620	1/4	3466
3322	3023	2684	2182	1366	-	-	-	-	-	TXB-20331	640	1/3	3578
0.24/10.3	0.26/9.4	0.27/8.9	0.27/8.7	0.22/8.6	-	-	-	-	-	TXB-20332	675	1/3	3773
3429	3140	2818	2376	1660	-	-	-	-	-	TXB-20501	705	1/2	3941
0.26/10.7	0.28/9.8	0.30/9.3	0.30/9.1	0.26/9.0	-	-	-	-	-	TXB-20502	740	1/2	4137
3617	3345	3045	2676	2087	1191	-	-	-	-	TXB-20503	775	1/2	4332
0.31/11.4	0.33/10.6	0.35/10.0	0.36/9.8	0.33/9.7	0.26/9.5	-	-	-	-	TXB-20751	800	3/4	4472
3777	3518	3235	2906	2407	1708	-	-	-	-	TXB-20752	825	3/4	4612
0.35/11.9	0.38/11.2	0.39/10.6	0.41/10.4	0.39/10.2	0.34/10.0	-	-	-	-	TXB-20753	850	3/4	4752
3965	3719	3452	3155	2753	2165	1318	-	-	-	TXB-20754	875	3/4	4891
0.41/12.8	0.43/12	0.45/11.4	0.47/11.2	0.46/11.0	0.43/10.8	0.35/10.6	-	-	-	TXB-20101	905	1	5059
4152	3919	3666	3392	3054	2554	1910	-	-	-	TXB-20102	940	1	5255
0.47/13.7	0.49/13.2	0.52/12.5	0.53/12.2	0.54/12.0	0.51/11.8	0.46/11.6	-	-	-	TXB-20103	975	1	5450
4286	4060	3817	3557	3250	2813	2242	1439	-	-	TXB-20151	1010	1-1/2	5646
0.52/14.4	0.54/13.8	0.56/13.4	0.58/13.0	0.59/12.7	0.58/12.6	0.53/12.4	0.44/12.1	-	-	TXB-20152	1045	1-1/2	5842
4420	4202	3967	3718	3436	3056	2537	1883	-	-	TXB-20153	1080	1-1/2	6037
0.57/15.2	0.59/14.6	0.62/14.0	0.64/13.7	0.65/13.6	0.64/13.3	0.60/13.1	0.54/12.9	-	-	TXB-20154	1115	1-1/2	6233
4554	4343	4116	3877	3612	3278	2809	2241	1423	-	TXB-20201	1150	2	6429
0.62/16.0	0.65/15.4	0.67/14.8	0.69/14.4	0.71/14.2	0.71/14.2	0.68/14	0.62/13.8	0.51/13.6	-	TXB-20202	1175	2	6568
4688	4483	4264	4034	3784	3482	3067	2554	1902	-	TXB-20203	1200	2	6708
0.68/16.9	0.70/16.3	0.73/15.7	0.75/15.2	0.77/15.0	0.77/14.8	0.75/14.6	0.71/14.3	0.63/14.1	-	TXB-20204	1225	2	6848
4849	4651	4441	4220	3984	3713	3359	2894	2346	-				
0.75/17.8	0.78/17.3	0.80/16.7	0.83/16.2	0.85/16.0	0.86/15.6	0.85/15.6	0.81/15.3	0.75/15.1	-				
5037	4846	4645	4434	4212	3967	3665	3261	2785	-				
0.84/18.9	0.87/18.4	0.90/17.9	0.92/17.4	0.94/17.1	0.96/16.9	0.96/16.8	0.93/16.4	0.88/16.1	-				
5224	5041	4848	4646	4436	4208	3944	3605	3175	2072	TXB-20103	975	1	5450
0.93/20	0.96/19.6	1.00/19.1	1.02/18.5	1.05/18.2	1.07/18	1.07/17.9	1.06/17.7	1.02/17.5	0.86/17.1				
5412	5235	5050	4856	4656	4442	4205	3915	3538	2598	TXB-20151	1010	1-1/2	5646
1.04/22	1.07/21	1.10/21	1.13/19.8	1.16/19.3	1.18/19.2	1.19/19.0	1.19/18.9	1.16/18.8	1.03/18.5				
5599	5429	5251	5065	4873	4671	4452	4197	3879	3043	TXB-20152	1045	1-1/2	5842
1.15/23	1.18/22	1.22/22	1.25/21	1.27/21	1.30/20	1.32/20	1.32/20	1.30/20	1.20/19.3				
5787	5622	5451	5272	5087	4895	4690	4462	4187	3441	TXB-20153	1080	1-1/2	6037
1.27/24	1.30/24	1.34/23	1.37/23	1.40/22	1.42/22	1.45/22	1.46/21	1.45/21	1.37/21				
5974	5815	5649	5477	5300	5116	4923	4713	4470	3808	TXB-20154	1115	1-1/2	6233
1.40/26	1.43/25	1.47/24	1.50/24	1.53/23	1.56/23	1.58/23	1.60/23	1.60/23	1.55/22				
6162	6008	5848	5682	5510	5335	5151	4954	4736	4163	TXB-20201	1150	2	6429
1.53/27	1.57/26	1.60/26	1.64/25	1.67/25	1.70/24	1.73/24	1.75/24	1.76/24	1.72/23				
6296	6145	5989	5827	5660	5489	5311	5123	4918	4398	TXB-20202	1175	2	6568
1.64/28	1.67/28	1.71/27	1.75/26	1.78/26	1.81/25	1.83/25	1.86/25	1.88/25	1.85/25				
6430	6282	6130	5972	5809	5642	5470	5289	5094	4618	TXB-20203	1200	2	6708
1.74/29	1.78/29	1.82/28	1.85/27	1.89/27	1.92/26	1.95/26	1.97/26	2.00/26	1.99/26				
6564	6419	6270	6116	5957	5795	5627	5452	5267	4825	TXB-20204	1225	2	6848
1.85/30	1.89/30	1.93/29	1.97/28	2.00/28	2.04/27	2.07/27	2.09/27	2.12/27	2.12/26				

Power Ratings (BHP) does not include transmission losses.
 Performance certified is for installation type A - free inlet, free outlet.
 Performance ratings do not include the effects of birdscreen in the airstream.
 The sound ratings shown are loudness values in fan sones @ 5' (1.5m) in a hemispherical free field calculated per AMCA Standard 301. Values shown are for: Installation Type A: free inlet hemispherical sone levels.

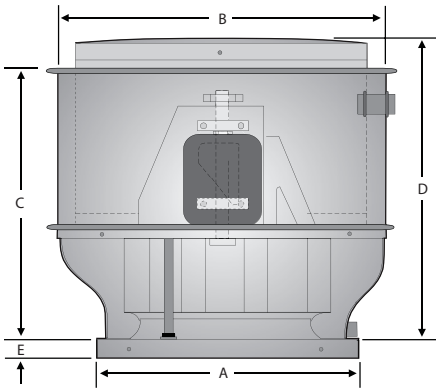


JencoFan Ventilation Systems, LLC., Div. of Soler & Palau Ventilation Group, certifies that the Models TXB shown herein are licensed to bear the AMCA Seal. The ratings shown are based on test and procedures performed in accordance with AMCA Publication 211 and AMCA Publication 311 and comply with the requirement of the AMCA Certified Ratings Program.





SIZE 20 - HIGH PRESSURE

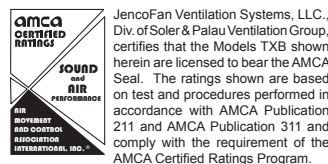


Dimensions (in.)				
A	B	C	D	E
29-1/2	37-3/4	28-1/2	32	2-1/2

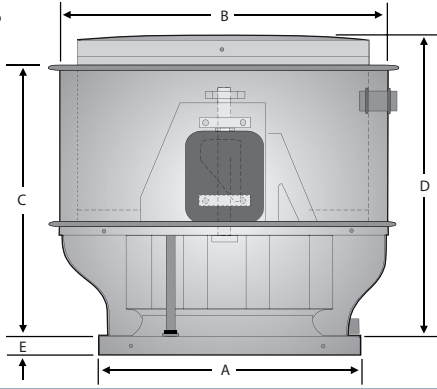
Dimensional Data				Metal Thickness			Avg. Ship Wt. (lbs.)
Damper		Roof Opening	Curb OD	Curb Cap	Wind Band	Motor Cover	
ID	OD						
24	24	24-3/4	27-3/4	.080	.050	.050	120

CFM / BHP @ Static Pressure / Sones													RPM	HP	Tip Speed
3/8	1/2	5/8	3/4	7/8	1	1-1/4	1-1/2	1-3/4	2	2-1/4	2-1/2	Catalog Number			
2313 0.30/9.4	1909 0.29/8.3	1373 0.26/7.4	-	-	-	-	-	-	-	-	-	TXBHP-20501	700	1/2	3940
2612 0.36/10.4	2286 0.36/9.6	1858 0.35/8.7	1316 0.31/8.0	-	-	-	-	-	-	-	-	TXBHP-20502	750	1/2	4222
2890 0.44/11.5	2619 0.44/10.7	2272 0.44/10.0	1837 0.41/9.3	1301 0.37/8.7	-	-	-	-	-	-	-	TXBHP-20503	800	1/2	4503
3156 0.52/12.7	2923 0.53/11.9	2635 0.53/11.2	2279 0.52/10.5	1848 0.49/9.9	1324 0.44/9.4	-	-	-	-	-	-	TXBHP-20504	850	1/2	4784
3284 0.57/13.4	3067 0.58/12.7	2803 0.58/12.0	2478 0.57/11.4	2086 0.55/10.7	1622 0.51/10.2	-	-	-	-	-	-	TXBHP-20751	875	3/4	4925
3437 0.63/14.6	3235 0.64/13.8	2994 0.64/13.1	2703 0.64/12.4	2352 0.62/11.8	1938 0.59/11.2	-	-	-	-	-	-	TXBHP-20752	905	3/4	5094
3586 0.69/15.8	3398 0.70/15.0	3177 0.71/14.3	2913 0.71/13.6	2598 0.69/12.9	2227 0.67/12.3	1268 0.55/11.4	-	-	-	-	-	TXBHP-20753	935	3/4	5263
3734 0.75/16.9	3558 0.77/16.2	3353 0.78/15.5	3112 0.78/14.8	2828 0.77/14.1	2493 0.75/13.5	1661 0.66/12.3	-	-	-	-	-	TXBHP-20754	965	3/4	5432
4000 0.88/19.2	3842 0.90/18.6	3662 0.91/17.8	3455 0.92/17.1	3215 0.92/16.4	2936 0.91/15.7	2248 0.85/14.4	1324 0.71/13.6	-	-	-	-	TXBHP-20101	1020	1	5741
4238 1.01/21	4093 1.03/21	3931 1.05/20	3747 1.06/19.4	3538 1.06/18.7	3298 1.06/18.0	2710 1.02/16.5	1968 0.93/15.3	-	-	-	-	TXBHP-20102	1070	1	6023
4427 1.13/23	4290 1.15/23	4139 1.17/22	3971 1.18/21	3781 1.18/21	3566 1.18/20	3045 1.16/18.5	2390 1.09/17.1	1555 0.94/16.2	-	-	-	TXBHP-20151	1110	1-1/2	6248
4614 1.25/25	4485 1.27/25	4344 1.29/24	4188 1.30/24	4014 1.31/23	3820 1.32/22	3354 1.30/20	2772 1.25/19.0	2061 1.14/17.6	-	-	-	TXBHP-20152	1150	1-1/2	6473
4799 1.38/28	4677 1.40/27	4545 1.42/27	4400 1.44/26	4240 1.45/25	4062 1.46/24	3643 1.45/23	3122 1.41/21	2492 1.33/19.6	1710 1.17/18.6	-	-	TXBHP-20153	1190	1-1/2	6698
4960 1.50/30	4844 1.52/29	4718 1.55/29	4581 1.56/28	4431 1.58/27	4266 1.59/27	3881 1.59/25	3408 1.56/23	3034 1.49/21	2153 1.37/20	1120 1.05/19.8	-	TXBHP-20154	1225	1-1/2	6895
5167 1.66/32	5057 1.69/31	4938 1.71/31	4810 1.74/31	4672 1.75/30	4520 1.77/29	4172 1.77/27	3750 1.76/26	3241 1.70/24	2642 1.61/22	1920 1.77/21	-	TXBHP-20201	1270	2	7148
5349 1.82/33	5244 1.85/33	5131 1.87/32	5011 1.90/32	4880 1.92/31	4739 1.93/30	4419 1.95/29	4035 1.94/27	3576 1.90/26	3034 1.82/24	2405 1.70/22	1596 1.46/22	TXBHP-20202	1310	2	7374
5531 1.98/34	5430 2.01/34	5323 2.04/34	5208 2.07/34	5086 2.09/33	4954 2.11/32	4656 2.13/31	4305 2.13/29	3888 2.10/27	3398 2.04/26	2832 1.94/24	2170 1.44/23	TXBHP-20203	1350	2	7599
5712 2.16/35	5615 2.19/35	5512 2.22/35	5404 2.25/35	5287 2.27/34	5163 2.29/33	4886 2.32/32	4563 2.33/30	4183 2.31/29	3737 2.26/27	3223 2.18/26	2637 2.05/24	TXBHP-20301	1390	3	7824
5869 2.32/36	5776 2.35/36	5677 2.38/36	5573 2.41/35	5462 2.44/35	5344 2.46/34	5082 2.49/33	4780 2.51/31	4428 2.50/30	4017 2.46/28	3543 2.39/27	3005 2.28/26	TXBHP-20302	1425	3	8021
6027 2.49/37	5936 2.52/37	5841 2.56/36	5741 2.59/36	5635 2.61/36	5522 2.64/35	5274 2.68/34	4990 2.69/33	4662 2.69/31	4283 2.66/30	3845 2.61/28	3349 2.51/27	TXBHP-20303	1460	3	8218
6184 2.67/38	6096 2.70/38	6004 2.74/37	5908 2.77/37	5806 2.80/37	5698 2.82/36	5462 2.86/35	5195 2.89/34	4888 2.89/32	4536 2.88/32	4131 2.83/30	3672 2.75/29	TXBHP-20304	1495	3	8415
6340 2.85/38	6255 2.89/38	6167 2.92/38	6073 2.96/38	5975 2.99/38	5872 3.02/37	5647 3.06/36	5394 3.09/35	5107 3.10/34	4779 3.09/32	4403 3.06/31	3977 2.99/30	TXBHP-20305	1530	3	8612

Power Ratings (BHP) does not include transmission losses. Performance certified is for installation type A - free inlet, free outlet. Performance ratings do not include the effects of birdscreen in the airstream. The sound ratings shown are loudness values in fan sones @ 5' (1.5m) in a hemispherical free field calculated per AMCA Standard 301. Values shown are for: Installation Type A: free inlet hemispherical sone levels.



SIZE 24



Dimensions (in.)				
A	B	C	D	E
35-1/2	47-1/4	31-1/2	42	2-1/2

Dimensional Data				Metal Thickness			Avg. Ship Wt. (lbs.)
Damper		Roof Opening	Curb OD	Curb Cap	Wind Band	Motor Cover	
ID	OD						
30	30	30-3/4	33-3/4	.10	.050	.050	245

CFM / BHP @ Static Pressure / Sones														RPM	HP	Tip Speed
0	1/8	1/4	3/8	1/2	5/8	3/4	1	1-1/4	1-1/2	1-3/4	2	Catalog Number				
3681	3200	2377	-	-	-	-	-	-	-	-	-	-	TXB-24251	400	1/4	2566
0.15/7.3	0.17/6.0	0.17/4.6	-	-	-	-	-	-	-	-	-	-	-	-	-	-
4141	3728	3170	-	-	-	-	-	-	-	-	-	-	TXB-24252	450	1/4	2886
0.22/9.1	0.24/7.8	0.25/6.4	-	-	-	-	-	-	-	-	-	-	-	-	-	-
4371	3985	3490	2537	-	-	-	-	-	-	-	-	-	TXB-24331	475	1/3	3047
0.26/9.8	0.29/8.5	0.29/7.3	0.27/6.0	-	-	-	-	-	-	-	-	-	-	-	-	-
4555	4188	3731	3018	-	-	-	-	-	-	-	-	-	TXB-24332	495	1/3	3175
0.29/10.3	0.32/9.2	0.33/8.0	0.33/6.8	-	-	-	-	-	-	-	-	-	-	-	-	-
4601	4238	3789	3114	-	-	-	-	-	-	-	-	-	TXB-24501	500	1/2	3207
0.30/10.4	0.33/9.3	0.34/8.2	0.34/6.9	-	-	-	-	-	-	-	-	-	-	-	-	-
4831	4488	4077	3516	2235	-	-	-	-	-	-	-	-	TXB-24502	525	1/2	3367
0.35/11.1	0.38/10.0	0.40/9.0	0.40/7.8	0.34/6.8	-	-	-	-	-	-	-	-	-	-	-	-
5015	4687	4300	3800	2825	-	-	-	-	-	-	-	-	TXB-24503	545	1/2	3496
0.39/11.6	0.42/10.6	0.44/9.7	0.44/8.5	0.41/7.6	-	-	-	-	-	-	-	-	-	-	-	-
5199	4884	4519	4063	3346	-	-	-	-	-	-	-	-	TXB-24504	565	1/2	3624
0.44/12.2	0.47/11.2	0.49/10.3	0.50/9.2	0.48/8.3	-	-	-	-	-	-	-	-	-	-	-	-
5291	4982	4626	4190	3552	1261	-	-	-	-	-	-	-	TXB-24751	575	3/4	3688
0.46/12.6	0.49/11.5	0.52/10.6	0.52/9.5	0.52/8.6	0.28/7.8	-	-	-	-	-	-	-	-	-	-	-
5705	5421	5103	4730	4259	3462	-	-	-	-	-	-	-	TXB-24752	620	3/4	3977
0.58/14.3	0.61/13.3	0.64/12.4	0.65/11.4	0.66/10.4	0.62/9.5	-	-	-	-	-	-	-	-	-	-	-
5935	5663	5362	5016	4596	4012	2813	-	-	-	-	-	-	TXB-24753	645	3/4	4137
0.65/15.4	0.69/14.3	0.72/13.4	0.73/12.6	0.74/11.4	0.73/10.5	0.63/9.6	-	-	-	-	-	-	-	-	-	-
5981	5712	5413	5072	4661	4099	2979	-	-	-	-	-	-	TXB-24754	650	3/4	4169
0.66/15.6	0.70/14.5	0.73/13.6	0.75/12.8	0.75/11.6	0.75/10.7	0.66/9.8	-	-	-	-	-	-	-	-	-	-
6212	5953	5669	5349	4975	4498	3680	-	-	-	-	-	-	TXB-24101	675	1	4329
0.74/16.6	0.79/15.6	0.82/14.7	0.84/13.7	0.84/12.8	0.84/11.8	0.79/10.8	-	-	-	-	-	-	-	-	-	-
6396	6145	5871	5567	5216	4787	4163	-	-	-	-	-	-	TXB-24102	695	1	4458
0.81/17.4	0.86/16.5	0.89/15.6	0.91/14.7	0.92/13.6	0.92/12.6	0.90/11.7	-	-	-	-	-	-	-	-	-	-
6580	6336	6073	5782	5451	5058	4541	-	-	-	-	-	-	TXB-24103	715	1	4586
0.88/18.4	0.93/17.3	0.97/16.4	0.99/15.6	1.00/14.6	1.00/13.5	1.00/12.6	-	-	-	-	-	-	-	-	-	-
6626	6384	6123	5835	5509	5124	4623	-	-	-	-	-	-	TXB-24104	720	1	4618
0.90/18.6	0.95/17.6	0.98/16.6	1.01/15.8	1.02/14.8	1.03/13.7	1.02/12.8	-	-	-	-	-	-	-	-	-	-
6856	6623	6373	6099	5794	5442	5011	3256	-	-	-	-	-	TXB-24151	745	1-1/2	4778
1.00/19.8	1.05/18.8	1.09/17.8	1.11/16.9	1.13/16.0	1.13/14.9	1.14/13.9	0.97/12.2	-	-	-	-	-	-	-	-	-
7178	6956	6720	6464	6183	5867	5498	4265	-	-	-	-	-	TXB-24152	780	1-1/2	5003
1.15/21	1.120/20	1.24/19.5	1.27/18.6	1.29/17.7	1.30/16.7	1.30/15.6	1.22/13.8	-	-	-	-	-	-	-	-	-
7362	7146	6917	6670	6401	6102	5759	4754	-	-	-	-	-	TXB-24153	800	1-1/2	5131
1.24/23	1.29/21	1.33/21	1.37/19.6	1.39/18.7	1.40/17.7	1.41/16.6	1.37/14.7	-	-	-	-	-	-	-	-	-
7546	7336	7113	6874	6616	6332	6010	5146	2245	-	-	-	-	TXB-24154	820	1-1/2	5259
1.33/24	1.39/23	1.43/22	1.47/21	1.49/19.7	1.15/18.7	1.51/17.6	1.50/15.7	0.93/14.0	-	-	-	-	-	-	-	-
7730	7525	7309	7078	6829	6557	6254	5477	3873	-	-	-	-	TXB-24201	840	2	5388
1.43/25	1.49/24	1.54/23	1.57/22	1.60/21	1.62/19.8	1.63/18.7	1.62/16.7	1.43/15.0	-	-	-	-	-	-	-	-
7960	7761	7552	7330	7092	6835	6552	5854	4566	-	-	-	-	TXB-24202	865	2	5548
1.56/26	1.62/25	1.67/24	1.71/23	1.74/22	1.76/21	1.77/20	1.78/18	1.63/16.2	-	-	-	-	-	-	-	-
8098	7903	7698	7481	7249	6999	6726	6067	4977	-	-	-	-	TXB-24203	880	2	5644
1.65/27	1.71/26	1.76/25	1.80/24	1.83/23	1.85/22	1.87/21	1.87/18.8	1.78/17.0	-	-	-	-	-	-	-	-
8282	8091	7892	7681	7457	7216	6956	6339	5433	-	-	-	-	TXB-24204	900	2	5773
1.76/28	1.82/27	1.87/26	1.92/24	1.95/23	1.98/23	1.99/22	2.00/19.8	1.96/18.0	-	-	-	-	-	-	-	-
8742	8562	8374	8178	7970	7750	7514	6979	6292	5073	-	-	-	TXB-24301	950	3	6093
2.07/30	2.14/29	2.19/28	2.24/27	2.28/26	2.31/25	2.33/24	2.35/22	2.35/20	2.18/18.8	-	-	-	-	-	-	-
9432	9266	9093	8914	8727	8531	8324	7869	7334	6649	5447	-	-	TXB-24302	1025	3	6574
2.60/32	2.67/32	2.74/31	2.79/30	2.84/29	2.88/28	2.91/28	2.95/26	2.96/24	2.95/23	2.73/21	-	-	-	-	-	-

Power Ratings (BHP) does not include transmission losses. Performance certified is for installation type A - free inlet, free outlet. Performance ratings do not include the effects of birdscreen in the airstream. The sound ratings shown are loudness values in fan sones @ 5' (1.5m) in a hemispherical free field calculated per AMCA Standard 301. Values shown are for: Installation Type A: free inlet hemispherical sone levels.

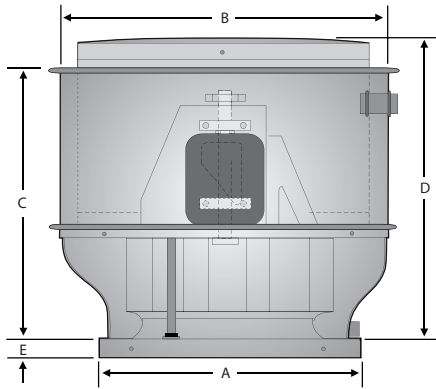


JencoFan Ventilation Systems, LLC., Div. of Soler & Palau Ventilation Group, certifies that the Models TXB shown herein are licensed to bear the AMCA Seal. The ratings shown are based on test and procedures performed in accordance with AMCA Publication 211 and AMCA Publication 311 and comply with the requirement of the AMCA Certified Ratings Program.



UL STANDARD 705 for Electrical
 UL STANDARD 762 for Grease Removal

SIZE 24 - HIGH PRESSURE



Dimensions (in.)				
A	B	C	D	E
35-1/2	47-1/4	31-1/2	42	2-1/2

Dimensional Data				Metal Thickness			Avg. Ship Wt. (lbs.)
Damper		Roof Opening	Curb OD	Curb Cap	Wind Band	Motor Cover	
ID	OD						
30	30	30-3/4	33-3/4	.10	.050	.050	245

CFM / BHP @ Static Pressure / Sones													RPM	HP	Tip Speed
1/2	5/8	3/4	1	1-1/4	1-1/2	1-3/4	2	2-1/4	2-1/2	2-3/4	3	Catalog Number			
2597 0.38/7.7	1496 0.31/7.5	-	-	-	-	-	-	-	-	-	-	TXBHP-24501	580	1/2	3720
3129 0.47/9.0	2441 0.45/8.4	-	-	-	-	-	-	-	-	-	-	TXBHP-24503	620	1/2	3977
3364 0.52/9.7	2775 0.5/9.0	1785 0.44/8.9	-	-	-	-	-	-	-	-	-	TXBHP-24504	640	1/2	4105
3639 0.58/10.7	3137 0.57/10.0	2399 0.54/9.6	-	-	-	-	-	-	-	-	-	TXBHP-24751	665	3/4	4265
3848 0.63/11.5	3397 0.63/10.7	2777 0.61/10.1	-	-	-	-	-	-	-	-	-	TXBHP-24752	685	3/4	4394
4294 0.76/13.3	3922 0.77/12.6	3457 0.76/12.0	1766 0.61/11.5	-	-	-	-	-	-	-	-	TXBHP-24754	730	3/4	4682
4483 0.82/14.0	4138 0.83/13.5	3717 0.83/12.8	2362 0.73/12.1	-	-	-	-	-	-	-	-	TXBHP-24101	750	1	4810
4668 0.88/14.8	4345 0.9/14.3	3959 0.9/13.6	2814 0.84/12.7	-	-	-	-	-	-	-	-	TXBHP-24102	770	1	4939
4850 0.95/15.7	4546 0.96/15.2	4189 0.97/14.5	3190 0.93/13.3	439 0.43/13.3	-	-	-	-	-	-	-	TXBHP-24103	790	1	5067
5028 1.02/16.5	4741 1.04/16.0	4409 1.05/15.5	3518 1.02/14.1	1738 0.79/13.9	-	-	-	-	-	-	-	TXBHP-24104	810	1	5195
5291 1.13/17.7	5026 1.15/17.3	4724 1.16/16.9	3952 1.16/15.5	2678 1.04/15.0	-	-	-	-	-	-	-	TXBHP-24151	840	1-1/2	5388
5550 1.25/19.0	5302 1.27/18.5	5025 1.29/18.1	4341 1.29/16.9	3325 1.22/16.0	948 0.73/16.0	-	-	-	-	-	-	TXBHP-24152	870	1-1/2	5580
5762 1.35/20	5527 1.38/19.6	5267 1.4/19.2	4641 1.41/18.1	3764 1.37/16.9	2197 1.13/16.8	-	-	-	-	-	-	TXBHP-24153	895	1-1/2	5740
6013 1.49/22	5793 1.51/21	5550 1.53/21	4979 1.56/19.6	4221 1.54/18.4	3051 1.4/17.9	-	-	-	-	-	-	TXBHP-24154	925	1-1/2	5933
6221 1.6/23	6010 1.63/22	5780 1.66/22	5248 1.68/21	4564 1.68/19.6	3585 1.59/18.8	1671 1.17/18.8	-	-	-	-	-	TXBHP-24201	950	2	6093
6426 1.73/24	6224 1.76/23	6006 1.78/23	5506 1.82/22	4882 1.82/21	4034 1.76/19.7	2646 1.52/19.7	-	-	-	-	-	TXBHP-24202	975	2	6254
6589 1.83/25	6394 1.86/24	6184 1.89/24	5708 1.93/23	5122 1.94/22	4354 1.9/21	3196 1.73/20	-	-	-	-	-	TXBHP-24203	995	2	6382
6792 1.97/26	6605 2/25	6404 2.03/25	5953 2.07/24	5410 2.09/23	4719 2.06/22	3751 1.95/21	2000 1.52/21	-	-	-	-	TXBHP-24204	1020	2	6542
7353 2.38/28	7184 2.41/28	7005 2.45/28	6611 2.5/27	6156 2.54/26	5612 2.55/25	4930 2.51/24	4001 2.38/23	2463 1.97/23	-	-	-	TXBHP-24301	1090	3	6991
7945 2.88/32	7792 2.92/32	7631 2.96/31	7283 3.02/31	6891 3.08/30	6443 3.11/29	5915 3.11/28	5267 3.06/26	4419 2.93/26	3152 2.59/26	-	-	TXBHP-24302	1165	3	7472
8764 3.7/36	8628 3.74/36	8486 3.79/36	8185 3.87/36	7855 3.93/35	7490 3.99/34	7081 4.02/33	6612 4.03/32	6063 4/31	5393 3.92/30	4524 3.72/30	3253 3.28/30	TXBHP-245001	1270	5	8146
9611 4.71/42	9489 4.76/42	9362 4.81/42	9097 4.9/42	8812 4.98/41	8505 5.05/40	8169 5.11/39	7799 5.15/38	7386 5.17/37	6918 5.16/36	6375 5.11/35	5724 5/34	TXBHP-245002	1380	5	8851

Power Ratings (BHP) does not include transmission losses. Performance certified is for installation type A - free inlet, free outlet. Performance ratings do not include the effects of birdscreen in the airstream. The sound ratings shown are loudness values in fan sones @ 5' (1.5m) in a hemispherical free field calculated per AMCA Standard 301. Values shown are for: Installation Type A: free inlet hemispherical sone levels.

JencoFan Ventilation Systems, LLC., Div. of Soler & Palau Ventilation Group, certifies that the Models TXB shown herein are licensed to bear the AMCA Seal. The ratings shown are based on test and procedures performed in accordance with AMCA Publication 211 and AMCA Publication 311 and comply with the requirement of the AMCA Certified Ratings Program.

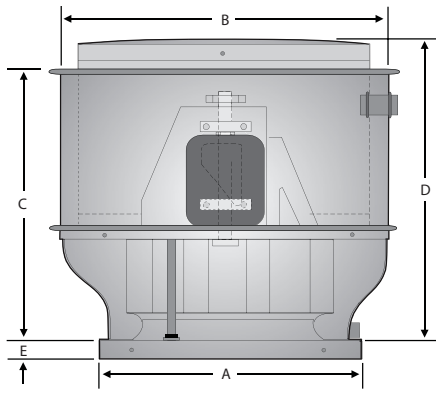
UL STANDARD 705 for Electrical
UL STANDARD 762 for Grease Removal



MODEL TXB
BELT DRIVE CENTRIFUGAL UPBLAST ROOF EXHAUSTER



SIZE 30



Dimensions (in.)				
A	B	C	D	E
42-1/2	56-3/4	41	45	2-1/2

Dimensional Data				Metal Thickness			Avg. Ship Wt. (lbs.)
Damper		Roof Opening	Curb OD	Curb Cap	Wind Band	Motor Cover	
ID	OD						
36	36	37-3/4	40-3/4	.090	.050	.050	365

CFM / BHP @ Static Pressure / Sones													RPM	HP	Tip Speed	
1/8	1/4	3/8	1/2	5/8	3/4	1	1-1/4	1-1/2	1-3/4	2	2-1/4	Catalog Number				
3720 0.16/3.8	-	-	-	-	-	-	-	-	-	-	-	-	TXB-30331	280	1/3	2236
4477 0.23/4.9	-	-	-	-	-	-	-	-	-	-	-	-	TXB-30332	315	1/3	2515
5280 0.32/6.2	4249 0.34/5.8	-	-	-	-	-	-	-	-	-	-	-	TXB-30333	355	1/3	2835
5572 0.36/6.7	4639 0.38/6.3	-	-	-	-	-	-	-	-	-	-	-	TXB-30501	370	1/2	2954
5860 0.41/7.2	5005 0.43/6.8	3594 0.41/6.3	-	-	-	-	-	-	-	-	-	-	TXB-30502	385	1/2	3074
6240 0.47/7.9	5466 0.50/7.5	4315 0.49/7.1	-	-	-	-	-	-	-	-	-	-	TXB-30503	405	1/2	3234
6615 0.54/8.6	5902 0.57/8.2	4931 0.58/7.8	3194 0.51/7.2	-	-	-	-	-	-	-	-	-	TXB-30751	425	3/4	3394
6987 0.62/9.3	6322 0.65/8.9	5474 0.67/8.5	4167 0.63/8.1	-	-	-	-	-	-	-	-	-	TXB-30752	445	3/4	3553
7356 0.70/10.0	6730 0.74/9.6	5973 0.76/9.3	4894 0.74/9.0	-	-	-	-	-	-	-	-	-	TXB-30753	465	3/4	3713
7631 0.77/10.7	7032 0.81/10.2	6328 0.83/9.8	5375 0.83/9.6	3866 .075/8.9	-	-	-	-	-	-	-	-	TXB-30101	480	1	3833
7904 0.84/11.3	7328 0.88/10.8	6671 0.91/10.4	5814 0.91/10.2	4598 0.86/9.7	-	-	-	-	-	-	-	-	TXB-30102	495	1	3952
8176 0.91/11.9	7622 0.96/11.5	7003 0.99/11.1	6221 1.00/10.7	5125 0.97/10.4	-	-	-	-	-	-	-	-	TXB-30103	510	1	4072
8628 1.05/13.1	8106 1.10/12.6	7534 1.13/12.2	6850 1.15/11.7	5959 1.15/11.5	4685 1.07/10.9	-	-	-	-	-	-	-	TXB-30151	535	1-1/2	4272
9078 1.20/14.2	8583 1.25/13.8	8050 1.29/13.3	7440 1.32/12.8	6682 1.32/12.5	5662 1.29/12.1	-	-	-	-	-	-	-	TXB-30152	560	1-1/2	4471
9525 1.36/15.3	9055 1.42/14.8	8555 1.46/14.4	8001 1.50/14.0	7334 1.51/13.6	6495 1.50/13.2	-	-	-	-	-	-	-	TXB-30153	585	1-1/2	4671
9881 1.50/16.2	9429 1.56/15.7	8951 1.61/15.2	8431 1.65/14.8	7824 1.67/14.4	7087 1.67/14.2	4766 1.50/13.1	-	-	-	-	-	-	TXB-30201	605	2	4831
10325 1.69/17.3	9894 1.75/16.8	9440 1.80/16.4	8954 1.85/15.9	8407 1.88/15.6	7758 1.89/15.2	5919 1.79/14.4	-	-	-	-	-	-	TXB-30202	630	2	5030
10680 1.85/18.1	10263 1.91/17.7	9827 1.97/17.3	9364 2.02/16.9	8855 2.05/16.5	8262 2.07/16.1	6658 2.02/15.4	-	-	-	-	-	-	TXB-30203	650	2	5190
11122 2.07/19.3	10721 2.13/18.8	10306 2.19/18.4	9868 2.25/18.1	9397 2.29/17.7	8860 2.31/17.3	7484 2.30/16.7	5245 2.08/15.6	-	-	-	-	-	TXB-30301	675	3	5390
11650 2.35/20	11268 2.42/20	10874 2.48/19.8	10462 2.54/19.5	10024 2.59/19.1	9545 2.62/18.8	8360 2.64/18.1	6643 2.52/17.2	-	-	-	-	-	TXB-30302	705	3	5629
12177 2.66/22	11812 2.73/22	11437 2.80/21	11047 2.86/20	10637 2.91/21	10199 2.96/20	9152 3.00/19.6	7730 2.94/19.0	5454 2.65/18.1	-	-	-	-	TXB-30303	735	3	5869
12966 3.17/24	12623 3.24/24	12273 3.32/23	11911 3.39/23	11535 3.45/23	11140 3.50/22	10244 3.57/22	9119 3.57/21	7571 3.44/21	-	-	-	-	TXB-305001	780	5	6228
13839 3.80/26	13518 3.89/26	13191 3.97/26	12856 4.04/25	12511 4.11/25	12152 4.17/25	11374 4.27/25	10439 4.32/24	9268 4.28/23	7696 4.09/23	-	-	-	TXB-305002	830	5	6627
14623 4.44/29	14319 4.53/28	14011 4.62/28	13696 4.70/27	13373 4.78/27	13040 4.85/27	12332 4.96/27	11522 5.04/26	10552 5.05/26	9325 4.97/25	7711 4.71/25	-	-	TXB-305003	875	5	6987
15752 5.50/32	15471 5.59/32	15185 5.69/31	14895 5.78/31	14599 5.86/30	14296 5.94/30	13661 6.08/30	12977 6.19/30	12187 6.26/29	11261 6.26/29	10120 6.17/29	8680 5.93/28	-	TXB-307501	940	7-1/2	7506
16792 6.60/36	16528 6.71/35	16261 6.81/35	15990 6.90/34	15715 7.00/34	15434 7.09/34	14854 7.25/34	14238 7.38/33	13564 7.49/33	12794 7.54/33	11905 7.54/32	10831 7.44/32	-	TXB-307502	1000	7-1/2	7985

Power Ratings (BHP) does not include transmission losses. Performance certified is for installation type A - free inlet, free outlet. Performance ratings do not include the effects of birdscreen in the airstream. The sound ratings shown are loudness values in fan sones @ 5' (1.5m) in a hemispherical free field calculated per AMCA Standard 301. Values shown are for: Installation Type A: free inlet hemispherical sone levels.



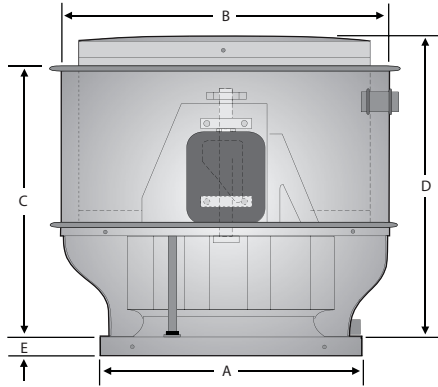
JencoFan Ventilation Systems, LLC., Div. of Soler & Palau Ventilation Group, certifies that the Models TXB shown herein are licensed to bear the AMCA Seal. The ratings shown are based on test and procedures performed in accordance with AMCA Publication 211 and AMCA Publication 311 and comply with the requirement of the AMCA Certified Ratings Program.



UL STANDARD 705 for Electrical
UL STANDARD 762 for
Grease Removal



SIZE 30 - HIGH PRESSURE



Dimensions (in.)				
A	B	C	D	E
42-1/2	56-3/4	41	45	2-1/2

Dimensional Data				Metal Thickness			Avg. Ship Wt. (lbs.)
Damper		Roof Opening	Curb OD	Curb Cap	Wind Band	Motor Cover	
ID	OD						
36	36	37-3/4	40-3/4	.090	.050	.050	365

CFM / BHP @ Static Pressure / Sones												RPM	HP	Tip Speed	
1/4	3/8	1/2	5/8	3/4	1	1-1/4	1-1/2	1-3/4	2	2-1/4	2-1/2				Catalog Number
3328	-	-	-	-	-	-	-	-	-	-	-	TXBHP-30332	345	1/3	2755
0.24/4.3	-	-	-	-	-	-	-	-	-	-	-	TXBHP-30333	385	1/3	3074
4276	3395	-	-	-	-	-	-	-	-	-	-	TXBHP-30501	405	1/2	3234
0.34/ 5.5	0.38/5.8	-	-	-	-	-	-	-	-	-	-	TXBHP-30502	420	1/2	3354
4942	3992	-	-	-	-	-	-	-	-	-	-	TXBHP-30503	440	1/2	3513
0.43/6.7	0.44/6.2	-	-	-	-	-	-	-	-	-	-	TXBHP-30751	460	3/4	3673
5298	4548	-	-	-	-	-	-	-	-	-	-	TXBHP-30752	480	3/4	3833
0.49/7.3	0.51/6.8	-	-	-	-	-	-	-	-	-	-	TXBHP-30753	500	3/4	3992
5643	4997	3645	-	-	-	-	-	-	-	-	-	TXBHP-30101	520	1	4152
0.56/8.0	0.58/7.4	0.54/7.1	-	-	-	-	-	-	-	-	-	TXBHP-30102	535	1	4272
5980	5407	4430	-	-	-	-	-	-	-	-	-	TXBHP-30103	555	1	4432
0.63/8.7	0.65/8.2	0.65/7.8	-	-	-	-	-	-	-	-	-	TXBHP-30151	580	1-1/2	4631
6311	5789	5053	3581	-	-	-	-	-	-	-	-	TXBHP-30152	605	1-1/2	4831
0.70/9.5	0.73/8.9	0.74/8.4	0.68/8.3	-	-	-	-	-	-	-	-	TXBHP-30153	630	1-1/2	5030
6638	6154	5527	4265	-	-	-	-	-	-	-	-	TXBHP-30201	655	2	5230
0.79/10.3	0.82/9.6	0.84/9.1	0.79/9.0	-	-	-	-	-	-	-	-	TXBHP-30202	675	2	5390
6880	6420	5851	4890	3348	-	-	-	-	-	-	-	TXBHP-30203	700	2	5589
0.85/10.9	0.89/10.3	0.91/9.7	0.89/9.4	0.77/9.5	-	-	-	-	-	-	-	TXBHP-30301	735	3	5869
7201	6767	6258	5545	4180	-	-	-	-	-	-	-	TXBHP-30302	765	3	6108
0.94/11.8	0.98/11.1	1.01/10.6	1.02/10.1	0.94/10.1	-	-	-	-	-	-	-	TXBHP-30303	800	3	6388
7597	7192	6734	6148	5113	-	-	-	-	-	-	-	TXBHP-305001	850	5	6787
1.07/12.7	1.11/12.2	1.14/11.5	1.16/11.0	1.13/10.9	-	-	-	-	-	-	-	TXBHP-305002	895	5	7146
7989	7608	7817	6684	5996	-	-	-	-	-	-	-	TXBHP-305003	945	5	7546
1.20/13.6	1.25/13.0	1.29/12.5	1.31/12.0	1.32/11.6	-	-	-	-	-	-	-	TXBHP-307501	1015	7-1/2	8104
8379	8018	7627	7181	6614	4439	-	-	-	-	-	-	TXBHP-307502	1080	7-1/2	8623
1.35/14.6	1.40/14.0	1.44/13.5	1.47/13.0	1.49/12.5	1.35/12.4	-	-	-	-	-	-				
8765	8423	8055	7649	7161	5303	-	-	-	-	-	-				
1.51/15.6	1.56/15.0	1.61/14.4	1.64/14.0	1.67/13.5	1.58/13.2	-	-	-	-	-	-				
9073	8743	8393	8011	7570	6119	-	-	-	-	-	-				
1.64/16.3	1.70/15.8	1.75/15.3	1.79/14.8	1.82/14.3	1.79/13.9	-	-	-	-	-	-				
9456	9141	8808	8451	8055	6960	-	-	-	-	-	-				
1.82/17.3	1.88/16.8	1.94/16.3	1.98/15.8	2.02/15.4	2.04/14.7	-	-	-	-	-	-				
9988	9692	9381	9052	8696	7808	6018	-	-	-	-	-				
2.09/18.7	2.16/18.2	2.22/17.8	2.27/17.3	2.31/16.9	2.36/16.1	2.24/16.3	-	-	-	-	-				
10443	10159	9865	9556	9226	8449	7224	-	-	-	-	-				
2.35/19.9	2.42/19.4	2.48/19.0	2.54/18.6	2.59/18.2	2.66/17.4	2.63/17.3	-	-	-	-	-				
10970	10701	10423	10134	9828	9143	8224	6421	-	-	-	-				
2.67/21	2.75/21	2.82/21	2.88/20	2.93/20	3.02/19.0	3.05/19.0	2.87/19.0	-	-	-	-				
11720	11469	11211	10944	10667	10065	9337	8308	6462	-	-	-				
3.18/23	3.26/23	3.34/23	3.41/22	3.47/22	3.58/21	3.65/21	3.64/21	3.39/21	-	-	-				
12392	12155	11912	11663	11405	10855	10233	9445	8174	-	-	-				
3.69/26	3.78/25	3.86/25	3.94/24	4.01/24	4.13/23	4.22/23	4.27/22	4.18/23	-	-	-				
13135	12912	12684	12451	12211	11708	11156	10513	9692	8529	6658	-				
4.32/28	4.42/28	4.51/27	4.59/27	4.67/26	4.81/26	4.92/25	4.96/25	5.03/25	4.85/25	4.54/25	-				
14172	13964	13754	13541	13322	12868	12385	11856	11239	10477	9274	7691				
5.32/32	5.43/31	5.53/30	5.62/30	5.71/30	5.87/29	6.01/28	6.12/28	6.20/28	6.23/28	6.10/28	5.77/29				
15130	14936	14740	14541	14338	13921	13483	13015	12504	11910	11193	10150				
6.38/36	6.49/35	6.60/35	6.71/34	6.81/34	6.99/33	7.15/32	7.28/31	7.39/31	7.47/31	7.50/31	7.40/31				

Power Ratings (BHP) does not include transmission losses. Performance certified is for installation type A - free inlet, free outlet. Performance ratings do not include the effects of birdscreen in the airstream. The sound ratings shown are loudness values in fan sones @ 5' (1.5m) in a hemispherical free field calculated per AMCA Standard 301. Values shown are for: Installation Type A: free inlet hemispherical sone levels.



JencoFan Ventilation Systems, LLC., Div. of Soler & Palau Ventilation Group, certifies that the Models TXB shown herein are licensed to bear the AMCA Seal. The ratings shown are based on test and procedures performed in accordance with AMCA Publication 211 and AMCA Publication 311 and comply with the requirement of the AMCA Certified Ratings Program.



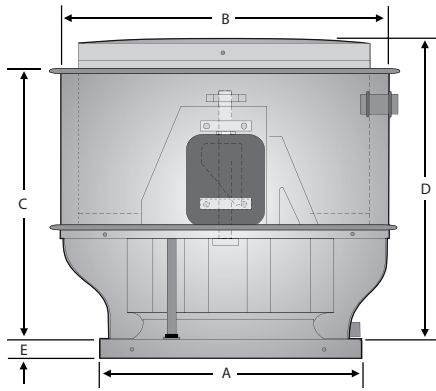
UL STANDARD 705 for Electrical
UL STANDARD 762 for
Grease Removal



MODEL TXB
BELT DRIVE CENTRIFUGAL UPBLAST ROOF EXHAUSTER

JencoFan

SIZE 36



Dimensions (in.)				
A	B	C	D	E
42-1/2	66	44	48	2-1/2

Dimensional Data				Metal Thickness			Avg. Ship Wt. (lbs.)
Damper		Roof Opening	Curb OD	Curb Cap	Wind Band	Motor Cover	
ID	OD						
36	36	37-3/4	40-3/4	.090	.050	.050	365

CFM / BHP @ Static Pressure / Sones													RPM	HP	Tip Speed
0	1/8	1/4	3/8	1/2	5/8	3/4	1	1-1/4	1-1/2	1-3/4	2	Catalog Number			
7797	6629	4391	-	-	-	-	-	-	-	-	-	TXB-36501	270	1/2	2523
0.30/5.3	0.33/4.9	0.31/4.3	-	-	-	-	-	-	-	-	-	-	-	-	-
8953	8009	6496	3165	-	-	-	-	-	-	-	-	TXB-36502	310	1/2	2896
0.45/6.8	0.49/6.4	0.50/6.0	0.35/4.4	-	-	-	-	-	-	-	-	-	-	-	-
9386	8503	7139	5105	-	-	-	-	-	-	-	-	TXB-36751	325	3/4	3036
0.52/7.3	0.56/6.9	0.57/6.6	0.53/5.6	-	-	-	-	-	-	-	-	-	-	-	-
9819	8988	7771	5791	-	-	-	-	-	-	-	-	TXB-36852	340	3/4	3177
0.60/7.9	0.64/7.5	0.66/7.2	0.62/6.8	-	-	-	-	-	-	-	-	-	-	-	-
10252	9468	8369	6717	-	-	-	-	-	-	-	-	TXB-36753	355	3/4	3317
0.68/8.5	0.72/8.1	0.75/7.7	0.73/7.4	-	-	-	-	-	-	-	-	-	-	-	-
10685	9942	8940	7521	5459	-	-	-	-	-	-	-	TXB-36101	370	1	3457
0.77/9.1	0.81/8.7	0.85/8.3	0.84/8.0	0.76/6.8	-	-	-	-	-	-	-	-	-	-	-
10974	10255	9308	7971	6124	-	-	-	-	-	-	-	TXB-36102	380	1	3550
0.83/9.5	0.88/9.1	0.92/8.7	0.91/8.4	0.85/7.7	-	-	-	-	-	-	-	-	-	-	-
11407	10722	9844	8611	6793	-	-	-	-	-	-	-	TXB-36103	395	1	3690
0.93/10.2	0.98/9.8	1.02/9.4	1.03/9.0	0.97/8.7	-	-	-	-	-	-	-	-	-	-	-
11985	11339	10537	9459	8086	6251	-	-	-	-	-	-	TXB-36151	415	1-1/2	3877
1.08/11.0	1.14/10.6	1.18/10.3	1.20/9.9	1.17/9.6	1.08/8.4	-	-	-	-	-	-	-	-	-	-
12418	11799	11045	10063	8812	7081	-	-	-	-	-	-	TXB-36152	430	1-1/2	4017
1.21/11.8	1.26/11.3	1.31/10.9	1.33/10.6	1.32/10.3	1.24/9.7	-	-	-	-	-	-	-	-	-	-
12996	12410	11710	10832	9685	8075	6094	-	-	-	-	-	TXB-36153	450	1-1/2	4204
1.34/12.7	1.44/12.4	1.49/12.0	1.53/11.5	1.52/11.2	1.46/10.9	1.32/9.5	-	-	-	-	-	-	-	-	-
13285	12713	12037	11203	10113	8792	7239	-	-	-	-	-	TXB-36201	460	2	4298
1.48/13.2	1.53/12.8	1.59/12.5	1.63/12.1	1.63/11.7	1.59/11.4	1.50/10.3	-	-	-	-	-	-	-	-	-
13573	13016	12362	11566	10540	9344	7711	-	-	-	-	-	TXB-36202	470	2	4391
1.50/13.7	1.63/13.3	1.69/12.9	1.73/12.7	1.74/12.2	1.71/11.9	1.62/11.4	-	-	-	-	-	-	-	-	-
13862	13318	12685	11923	10955	9817	8152	-	-	-	-	-	TXB-36203	480	2	4484
1.68/14.2	1.74/13.8	1.79/13.4	1.84/13.0	1.86/12.8	1.83/12.4	1.74/12.2	-	-	-	-	-	-	-	-	-
14295	13770	13165	12449	11560	10483	8988	-	-	-	-	-	TXB-36204	495	2	4625
1.84/15.0	1.90/14.6	1.96/14.2	2.01/13.8	2.04/13.5	2.02/13.3	1.95/13.0	-	-	-	-	-	-	-	-	-
14873	14371	13799	13135	12334	11337	10243	-	-	-	-	-	TXB-36301	515	3	4811
2.07/15.9	2.14/15.6	2.20/15.2	2.25/14.8	2.29/14.5	2.29/14.2	2.25/14.0	-	-	-	-	-	-	-	-	-
15306	14819	14271	13640	12894	11973	10944	8299	-	-	-	-	TXB-36302	530	3	4952
2.26/16.6	2.32/16.3	2.39/16.0	2.45/15.6	2.49/15.3	2.50/15.1	2.47/14.8	2.29/13.4	-	-	-	-	-	-	-	-
15884	15416	14895	14304	13617	12788	11814	9226	-	-	-	-	TXB-36303	550	3	5138
2.52/17.7	2.59/17.3	2.66/16.9	2.72/16.6	2.77/16.4	2.79/16.2	2.78/16.0	2.61/15.5	-	-	-	-	-	-	-	-
16317	15863	15361	14795	14146	13377	12455	9936	-	-	-	-	TXB-36304	565	3	5279
2.74/18.5	2.81/18.1	2.87/17.7	2.94/17.4	2.99/17.2	3.03/17	3.02/16.8	2.87/16.3	-	-	-	-	-	-	-	-
16894	16458	15978	15443	14837	14135	13299	11336	8629	-	-	-	TXB-365001	585	5	5465
3.04/19.5	3.11/19.1	3.18/18.8	3.25/18.5	3.31/18.3	3.35/18.1	3.36/17.8	3.28/17.4	3.01/15.6	-	-	-	-	-	-	-
17472	17052	16592	16085	15516	14868	14109	12318	9875	-	-	-	TXB-365002	605	5	5652
3.36/21	3.43/20	3.51/20	3.58/20	3.64/19.0	3.69/19.0	3.72/19.0	3.67/19.0	3.45/18.0	-	-	-	-	-	-	-
18194	17792	17356	16877	16349	15756	15078	13425	11005	-	-	-	TXB-365003	630	5	5886
3.79/22	3.87/22	3.95/21	4.02/21	4.09/21	4.15/21	4.19/20	4.17/20	3.97/19.0	-	-	-	-	-	-	-
18772	18382	17963	17507	17006	16450	15824	14278	12396	10209	-	-	TXB-365004	650	5	6073
4.17/23	4.25/23	4.33/22	4.40/22	4.48/22	4.54/22	4.59/21	4.60/21	4.48/21	4.23/19	-	-	-	-	-	-
19349	18972	18568	18131	17654	17131	16548	15128	13471	11141	-	-	TXB-365005	670	5	6260
4.56/24	4.65/24	4.73/24	4.81/23	4.88/23	4.95/23	5.01/23	5.05/22	4.97/22	4.71/21	-	-	-	-	-	-
20793	20443	20074	19677	19252	18793	18292	17125	15671	14067	11871	-	TXB-367501	720	7-1/2	6727
5.66/27	5.75/27	5.84/26	5.93/26	6.01/26	6.09/26	6.16/26	6.26/25	6.24/25	6.13/24	5.83/23	-	-	-	-	-
22093	21765	21420	21055	20666	20252	19805	18797	17569	16160	14373	12478	TXB-367502	765	7-1/2	7147
6.79/30	6.89/30	6.98/29	7.07/29	7.17/29	7.25/29	7.34/28	7.47/28	7.52/27	7.46/27	7.27/26	6.97/26	-	-	-	-

Power Ratings (BHP) does not include transmission losses. Performance certified is for installation type A - free inlet, free outlet. Performance ratings do not include the effects of birdscreen in the airstream. The sound ratings shown are loudness values in fan sones @ 5' (1.5m) in a hemispherical free field calculated per AMCA Standard 301. Values shown are for: Installation Type A: free inlet hemispherical sone levels.



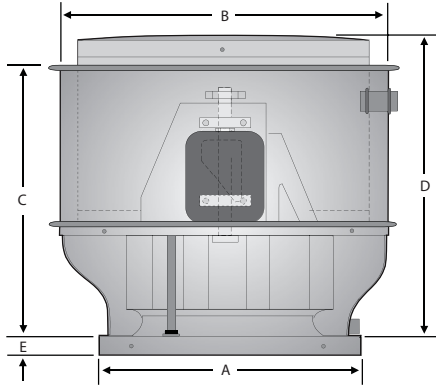
JencoFan Ventilation Systems, LLC., Div. of Soler & Palau Ventilation Group, certifies that the Models TXB shown herein are licensed to bear the AMCA Seal. The ratings shown are based on test and procedures performed in accordance with AMCA Publication 211 and AMCA Publication 311 and comply with the requirement of the AMCA Certified Ratings Program.



UL STANDARD 705 for Electrical
UL STANDARD 762 for Grease Removal



SIZE 36 - HIGH PRESSURE



Dimensions (in.)				
A	B	C	D	E
42-1/2	66	44	48	2-1/2

Dimensional Data				Metal Thickness			Avg. Ship Wt. (lbs.)
Damper		Roof Opening	Curb OD	Curb Cap	Wind Band	Motor Cover	
ID	OD						
36	36	37-3/4	40-3/4	.090	.050	.050	365

CFM / BHP @ Static Pressure / Sones													Catalog Number	RPM	HP	Tip Speed
1/2	5/8	3/4	1	1-1/4	1-1/2	1-3/4	2	2-1/4	2-1/2	2-3/4	3					
5889 0.83/7.6	-	-	-	-	-	-	-	-	-	-	-	-	TXBHP-36101	405	1	3784
6412 0.90/7.9	-	-	-	-	-	-	-	-	-	-	-	-	TXBHP-36102	415	1	3877
7078 1.02/8.4	-	-	-	-	-	-	-	-	-	-	-	-	TXBHP-36103	430	1	4017
7862 1.17/9.2	6415 1.13/9.1	-	-	-	-	-	-	-	-	-	-	-	TXBHP-36151	450	1-1/2	4204
8575 1.33/9.9	7448 1.32/9.7	5189 1.15/10.2	-	-	-	-	-	-	-	-	-	-	TXBHP-36152	470	1-1/2	4391
9240 1.50/10.7	8286 1.51/10.5	6822 1.44/10.7	-	-	-	-	-	-	-	-	-	-	TXBHP-36153	490	1-1/2	4578
9715 1.63/11.3	8860 1.66/11.1	7692 1.62/11.2	-	-	-	-	-	-	-	-	-	-	TXBHP-36201	505	2	4718
10021 1.72/11.8	9222 1.75/11.5	8166 1.74/11.5	-	-	-	-	-	-	-	-	-	-	TXBHP-36202	515	2	4811
10467 1.86/12.5	9741 1.91/12.1	8807 1.91/12.0	-	-	-	-	-	-	-	-	-	-	TXBHP-36203	530	2	4952
10760 1.96/13.0	10075 2.01/12.6	9204 2.02/12.4	5776 1.73/13.4	-	-	-	-	-	-	-	-	-	TXBHP-36204	540	2	5045
11335 2.16/13.7	10718 2.23/13.5	9953 2.26/13.3	7428 2.11/13.9	-	-	-	-	-	-	-	-	-	TXBHP-36301	560	3	5232
11899 2.37/14.6	11330 2.45/14.3	10651 2.50/14.0	8725 2.45/14.5	-	-	-	-	-	-	-	-	-	TXBHP-36302	580	3	5419
12456 2.60/15.4	11921 2.69/15.1	11312 2.75/14.9	9665 2.76/15.0	-	-	-	-	-	-	-	-	-	TXBHP-36303	600	3	5606
13005 2.85/16.3	12499 2.94/16.0	11946 3.01/15.7	10489 3.06/15.6	7767 2.79/16.5	-	-	-	-	-	-	-	-	TXBHP-36304	620	3	5792
13684 3.18/17.4	13207 3.27/17.2	12698 3.36/16.9	11484 3.45/16.4	9572 3.36/17.2	-	-	-	-	-	-	-	-	TXBHP-365001	645	5	6026
14222 3.46/18.3	13765 3.55/18.1	13283 3.65/17.8	12188 3.77/17.3	10548 3.74/17.7	-	-	-	-	-	-	-	-	TXBHP-365002	665	5	6213
14888 3.83/19.5	14454 3.93/19.2	14000 4.03/19.0	12971 4.18/18.5	11602 4.22/19.2	9428 3.99/20	-	-	-	-	-	-	-	TXBHP-365003	690	5	6446
15417 4.15/20	14998 4.25/20	14564 4.36/19.9	13608 4.53/19.4	12374 4.6/19.1	10667 4.5/19.8	-	-	-	-	-	-	-	TXBHP-365004	710	5	6633
16074 4.57/22	15673 4.68/21	15259 4.79/21	14372 4.98/21	13277 5.10/20	11884 5.07/21	9319 4.67/21	-	-	-	-	-	-	TXBHP-365005	735	5	6867
17506 5.60/24	17136 5.72/24	16761 5.84/24	15974 6.06/23	15095 6.25/23	14005 6.34/22	12622 6.29/23	10338 5.88/24	-	-	-	-	-	TXBHP-367501	790	7-1/2	7381
18794 6.66/26	18449 6.79/26	18099 6.92/26	17379 7.16/26	16608 7.39/25	15721 7.56/25	14638 7.62/25	13290 7.54/25	11142 7.12/26	-	-	-	-	TXBHP-367502	840	7-1/2	7848
19817 7.61/28	19488 7.74/28	19157 7.87/28	18479 8.14/28	17767 8.39/27	16993 8.61/27	16067 8.73/26	14959 8.75/27	13585 8.63/27	11274 8.06/28	-	-	-	TXBHP-361001	880	10	8222
20834 8.64/31	20520 8.78/30	20205 8.92/30	19563 9.20/30	18897 9.47/30	18188 9.71/29	17392 9.90/29	16453 9.99/29	15337 9.99/29	11556 9.13/29	8370 7.79/30	-	-	TXBHP-361002	920	10	8595

Power Ratings (BHP) does not include transmission losses.
 Performance certified is for installation type A - free inlet, free outlet.
 Performance ratings do not include the effects of birdscreen in the airstream.
 The sound ratings shown are loudness values in fan sones @ 5' (1.5m) in a hemispherical free field calculated per AMCA Standard 301. Values shown are for: Installation Type A: free inlet hemispherical sone levels.



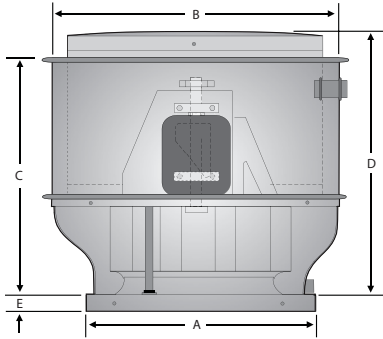
JencoFan Ventilation Systems, LLC., Div. of Soler & Palau Ventilation Group, certifies that the Models TXB shown herein are licensed to bear the AMCA Seal. The ratings shown are based on test and procedures performed in accordance with AMCA Publication 211 and AMCA Publication 311 and comply with the requirement of the AMCA Certified Ratings Program.



UL STANDARD 705 for Electrical
 UL STANDARD 762 for Grease Removal



SIZE 42



Dimensions (in.)				
A	B	C	D	E
55	72-1/2	48	52	2-1/2

Dimensional Data				Metal Thickness			Avg. Ship Wt. (lbs.)
Damper		Roof Opening	Curb OD	Curb Cap	Wind Band	Motor Cover	
ID	OD						
48	48	50-1/4	53-1/4	.100	.050	.050	385

CFM / BHP @ Static Pressure / Sones													RPM	HP	Tip Speed
0	1/8	1/4	3/8	1/2	5/8	3/4	1	1-1/4	1-1/2	1-3/4	2	Catalog Number			
10306	7988	-	-	-	-	-	-	-	-	-	-	TXB-42501	200	1/2	2199
0.28/6.8	0.33/6.8	-	-	-	-	-	-	-	-	-	-	-	-	-	-
11852	10011	6471	-	-	-	-	-	-	-	-	-	TXB-42502	230	1/2	2829
0.43/8.2	0.49/8.2	0.45/8.2	-	-	-	-	-	-	-	-	-	-	-	-	-
12625	10926	7540	-	-	-	-	-	-	-	-	-	TXB-42751	245	3/4	2694
0.52/9.0	0.59/8.9	0.57/8.8	-	-	-	-	-	-	-	-	-	-	-	-	-
13656	12109	9589	-	-	-	-	-	-	-	-	-	TXB-42752	265	3/4	2914
0.66/10.0	0.74/9.9	0.76/9.8	-	-	-	-	-	-	-	-	-	-	-	-	-
14429	12977	11065	7791	-	-	-	-	-	-	-	-	TXB-42101	280	1	3079
0.78/10.8	0.86/10.6	0.91/10.5	0.81/10.4	-	-	-	-	-	-	-	-	-	-	-	-
14944	13549	11868	8543	-	-	-	-	-	-	-	-	TXB-42102	290	1	3189
0.86/11.4	0.95/11.2	1.01/11.0	0.93/10.8	-	-	-	-	-	-	-	-	-	-	-	-
15459	14116	12546	9230	-	-	-	-	-	-	-	-	TXB-42151	300	1-1/2	3299
0.96/11.9	1.05/11.8	1.11/11.6	1.04/11.4	-	-	-	-	-	-	-	-	-	-	-	-
16232	14959	13514	10696	8017	-	-	-	-	-	-	-	TXB-42152	315	1-1/2	3464
1.11/12.6	1.20/12.4	1.28/12.3	1.26/12.2	1.12/12.0	-	-	-	-	-	-	-	-	-	-	-
17005	15795	14449	12322	9513	-	-	-	-	-	-	-	TXB-42153	330	1-1/2	3628
1.27/13.4	1.37/13.3	1.46/13.1	1.49/13.0	1.35/12.8	-	-	-	-	-	-	-	-	-	-	-
17521	16349	15060	13278	10223	6983	-	-	-	-	-	-	TXB-42201	340	2	3738
1.39/14.0	1.50/13.8	1.58/13.7	1.63/13.5	1.50/13.3	1.22/13.0	-	-	-	-	-	-	-	-	-	-
18294	17174	15960	14521	11441	9452	-	-	-	-	-	-	TXB-42202	355	2	3903
1.59/14.9	1.69/14.7	1.79/14.6	1.86/14.4	1.76/14.1	1.92/13.8	-	-	-	-	-	-	-	-	-	-
18809	17772	16553	15207	12488	10337	6123	-	-	-	-	-	TXB-42203	365	2	4013
1.72/15.4	1.83/15.3	1.93/15.1	2.01/15.0	1.96/14.8	1.81/14.3	1.39/14.0	-	-	-	-	-	-	-	-	-
19582	18540	17430	16182	14122	11420	8695	-	-	-	-	-	TXB-42301	380	3	4178
1.95/16.3	2.06/16.1	2.17/15.9	2.25/15.8	2.27/15.6	2.10/15.2	1.85/14.8	-	-	-	-	-	-	-	-	-
20355	19354	18296	17129	15546	12609	10936	-	-	-	-	-	TXB-42302	395	3	4343
2.18/17.2	2.31/17.0	2.42/16.8	2.51/16.6	2.56/16.5	2.42/16.2	2.27/15.7	-	-	-	-	-	-	-	-	-
21128	20165	19154	18055	16774	14170	12073	-	-	-	-	-	TXB-42303	410	3	4508
2.44/18.0	2.57/17.8	2.68/17.7	2.79/17.5	2.86/17.3	2.79/17.1	2.61/16.6	-	-	-	-	-	-	-	-	-
21643	20705	19722	18661	17462	15269	12766	6656	-	-	-	-	TXB-425001	420	5	4618
2.63/18.6	2.75/18.4	2.87/18.2	2.98/18.1	3.07/17.9	3.04/17.7	2.85/17.3	2.09/16.4	-	-	-	-	-	-	-	-
22159	21243	20286	19262	18119	16303	13562	8822	-	-	-	-	TXB-425002	430	5	4728
2.82/19.3	2.95/19.1	3.07/18.9	3.18/18.7	3.28/18.5	3.29/1.83	3.11/18.0	2.47/17.0	-	-	-	-	-	-	-	-
22931	22048	21129	20153	19082	17681	15074	11238	-	-	-	-	TXB-425003	445	5	4893
3.12/20	3.26/20	3.39/19.8	3.51/19.6	3.61/19.4	3.67/19.3	3.54/19.0	3.14/18.0	-	-	-	-	-	-	-	-
23447	22538	21687	20740	19710	18484	16173	12535	-	-	-	-	TXB-425004	455	5	5003
3.34/21	3.48/21	3.61/20	3.73/20	3.84/20	3.91/19.9	3.85/19.7	3.47/18.6	-	-	-	-	-	-	-	-
24220	23384	22521	21614	20638	19551	17756	13694	-	-	-	-	TXB-425005	470	5	5168
3.68/22	3.83/22	3.96/21	4.09/21	4.20/21	4.29/21	4.3/21	3.92/19.7	-	-	-	-	-	-	-	-
24735	23917	23074	22181	21247	20208	18703	14400	9783	-	-	-	TXB-425006	480	5	5278
3.92/22	4.07/22	4.21/22	4.34/22	4.46/22	4.56/21	4.60/21	4.23/20	3.41/19.0	-	-	-	-	-	-	-
25508	24176	23901	23052	22152	21173	19975	15519	12017	-	-	-	TXB-425007	495	5	5443
4.30/23	4.45/23	4.60/23	4.74/23	4.86/23	4.97/22	5.04/22	4.73/22	4.24/20	-	-	-	-	-	-	-
26539	25778	24997	24188	23339	22429	21427	17525	14525	-	-	-	TXB-427501	515	7-1/2	5663
4.84/25	5.00/25	5.15/24	5.30/24	5.43/24	5.55/24	5.65/24	5.50/23	5.08/22	-	-	-	-	-	-	-
27312	26573	25817	25035	24218	23351	22410	19179	15634	11323	-	-	TXB-427502	530	7-1/2	5828
5.28/26	5.44/25	5.60/25	5.75/25	5.89/25	6.02/25	6.13/25	6.11/24	5.65/23	4.74/22	-	-	-	-	-	-
28342	27631	26904	26152	25378	24561	23684	21215	17031	14648	-	-	TXB-427503	530	7-1/2	6047
5.90/27	6.07/27	6.23/26	6.39/26	6.54/26	6.68/26	6.80/26	6.91/25	6.45/24	6.04/24	-	-	-	-	-	-
29115	28423	27717	26992	26241	25455	24621	22538	18467	15978	11004	-	TXB-427504	565	7-1/2	6212
6.39/28	6.57/28	6.74/27	6.90/27	7.06/27	7.20/27	7.33/27	7.50/26	7.15/26	6.72/25	5.45/24	-	-	-	-	-

Power Ratings (BHP) does not include transmission losses.
 Performance certified is for installation type A - free inlet, free outlet.
 Performance ratings do not include the effects of birdscreen in the airstream.
 The sound ratings shown are loudness values in fan sones @ 5' (1.5m) in a hemispherical free field calculated per AMCA Standard 301. Values shown are for Installation Type A: free inlet hemispherical sone levels.



JenCoFan Ventilation Systems, LLC., Div. of Soler & Palau Ventilation Group, certifies that the Models TXB shown herein are licensed to bear the AMCA Seal. The ratings shown are based on test and procedures performed in accordance with AMCA Publication 211 and AMCA Publication 311 and comply with the requirement of the AMCA Certified Ratings Program.



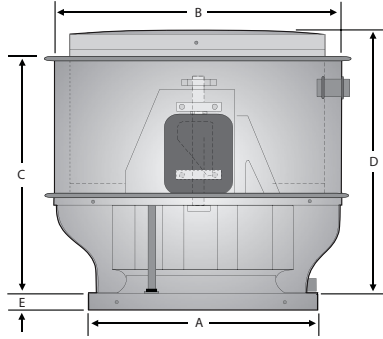
UL STANDARD 705 for Electrical
 UL STANDARD 762 for Grease Removal



MODEL TXB
BELT DRIVE CENTRIFUGAL UPBLAST ROOF EXHAUSTER



SIZE 48



Dimensions (in.)				
A	B	C	D	E
55	78-3/4	52	55	2-1/2

Dimensional Data				Metal Thickness			Avg. Ship Wt. (lbs.)
Damper		Roof Opening	Curb OD	Curb Cap	Wind Band	Motor Cover	
ID	OD						
48	48	50-1/4	53-1/4	.100	.050	.050	490

CFM / BHP @ Static Pressure / Sones													RPM	HP	Tip Speed
0	1/8	1/4	3/8	1/2	5/8	3/4	1	1-1/4	1-1/2	1-3/4	2	Catalog Number			
11713	8527	-	-	-	-	-	-	-	-	-	-	TXB-48501	170	1/2	2114
0.33/3.5	0.37/3.1	-	-	-	-	-	-	-	-	-	-	-	-	-	-
12402	9664	-	-	-	-	-	-	-	-	-	-	TXB-48502	180	1/2	2238
0.39/3.9	0.44/3.6	-	-	-	-	-	-	-	-	-	-	-	-	-	-
13091	10066	-	-	-	-	-	-	-	-	-	-	TXB-48503	190	1/2	2363
0.46/4.3	0.52/4.0	-	-	-	-	-	-	-	-	-	-	-	-	-	-
13091	10666	-	-	-	-	-	-	-	-	-	-	TXB-48751	205	3/4	2549
0.46/4.3	0.52/4.7	-	-	-	-	-	-	-	-	-	-	-	-	-	-
14813	12737	8924	-	-	-	-	-	-	-	-	-	TXB-48752	215	3/4	2674
0.67/5.4	0.75/5.2	0.70/5.2	-	-	-	-	-	-	-	-	-	-	-	-	-
15847	13896	10899	-	-	-	-	-	-	-	-	-	TXB-48101	230	1	2860
0.82/6.1	0.91/5.9	0.90/5.6	-	-	-	-	-	-	-	-	-	-	-	-	-
16536	14656	12014	-	-	-	-	-	-	-	-	-	TXB-48102	240	1	2984
0.93/6.0	1.02/6.3	1.04/6.1	-	-	-	-	-	-	-	-	-	-	-	-	-
17225	15408	13163	-	-	-	-	-	-	-	-	-	TXB-48151	250	1-1/2	3109
1.05/7.0	1.15/6.7	1.19/6.5	-	-	-	-	-	-	-	-	-	-	-	-	-
17914	16154	14236	10299	-	-	-	-	-	-	-	-	TXB-48152	260	1-1/2	3233
1.18/7.4	1.29/7.2	1.34/7.0	1.22/7.0	-	-	-	-	-	-	-	-	-	-	-	-
18603	16895	15206	11919	-	-	-	-	-	-	-	-	TXB-48153	270	1-1/2	3358
1.32/7.9	1.44/7.6	1.50/7.4	1.41/7.3	-	-	-	-	-	-	-	-	-	-	-	-
19636	17999	16495	13726	9349	-	-	-	-	-	-	-	TXB-48201	285	2	3544
1.56/8.5	1.68/8.3	1.75/8.1	1.72/7.9	1.48/8.3	-	-	-	-	-	-	-	-	-	-	-
20670	19097	17694	15399	11849	-	-	-	-	-	-	-	TXB-48202	300	2	3731
1.87/9.2	1.95/9.0	2.03/8.8	2.04/8.5	1.87/8.6	-	-	-	-	-	-	-	-	-	-	-
21359	19825	18476	16546	13528	8885	-	-	-	-	-	-	TXB-48301	310	3	3855
2.00/9.8	2.14/9.5	2.23/9.3	2.26/9.1	2.12/9.0	1.77/9.9	-	-	-	-	-	-	-	-	-	-
22048	20551	19249	17592	14793	10661	-	-	-	-	-	-	TXB-48302	320	3	3979
2.20/10.3	2.35/10.1	2.44/9.8	2.49/9.6	2.39/9.5	2.11/10.0	-	-	-	-	-	-	-	-	-	-
22737	21275	20013	18560	15952	12193	-	-	-	-	-	-	TXB-48303	330	3	4104
2.42/10.8	2.57/10.6	2.67/10.4	2.73/10.2	2.67/10.0	2.44/10.3	-	-	-	-	-	-	-	-	-	-
23426	21997	20771	19458	17054	14121	9830	-	-	-	-	-	TXB-48304	340	3	4228
2.64/11.5	2.80/11.2	2.91/11.0	2.98/10.8	2.95/10.6	2.76/10.7	2.34/10.7	-	-	-	-	-	-	-	-	-
24459	23071	21898	20682	18779	16204	12357	-	-	-	-	-	TXB-485001	355	5	4415
3.01/12.4	3.18/12.1	3.29/11.8	3.38/11.6	3.40/11.5	3.25/11.4	2.95/12.0	-	-	-	-	-	-	-	-	-
25837	24513	23387	22266	20855	18507	15915	-	-	-	-	-	TXB-485002	375	5	4663
3.55/13.8	3.73/13.5	3.86/13.3	3.95/13.1	4.01/13.0	3.94/12.9	3.72/13.0	-	-	-	-	-	-	-	-	-
26871	25587	24495	23428	22250	20201	17886	10701	-	-	-	-	TXB-485003	390	5	4850
3.99/14.8	4.18/14.6	4.32/14.5	4.42/14.3	4.50/14.2	4.49/14.1	4.31/14.1	3.44/15.0	-	-	-	-	-	-	-	-
27904	26658	25598	24574	23485	21877	19631	13520	-	-	-	-	TXB-485004	405	5	5036
4.47/15.8	4.67/15.7	4.82/15.5	4.93/15.4	5.02/15.4	5.05/15.4	4.94/15.5	4.28/15.6	-	-	-	-	-	-	-	-
29282	28083	27061	26086	25081	23863	21866	16901	8340	-	-	-	TXB-487501	425	7-1/2	5285
5.16/17.3	5.38/17.2	5.54/17.1	5.66/17.1	5.77/17.0	5.84/17.1	5.84/17.0	5.33/17.0	3.81/17.8	-	-	-	-	-	-	-
30316	29150	28153	27209	26253	25207	23573	19343	12941	-	-	-	TXB-487502	440	7-1/2	5471
5.73/18.5	5.95/18.4	6.12/18.3	6.26/18.3	6.37/18.1	6.46/18	6.48/17.8	6.09/17.7	5.12/18.4	-	-	-	-	-	-	-
31694	30569	29604	29697	27792	26837	25611	21797	16210	-	-	-	TXB-487503	460	7-1/2	5720
6.55/19.9	6.78/19.8	6.96/19.6	7.12/19.4	7.24/19.3	7.3/19.1	7.40/19.0	7.17/18.7	6.47/19.2	-	-	-	-	-	-	-
33072	31984	31049	30174	29311	28422	27448	24028	19817	13705	-	-	TXB-481001	480	10	5969
7.44/21	7.69/21	7.88/21	8.05/21	8.18/21	8.30/20	8.39/20	8.31/19.9	7.75/20	6.55/20.9	-	-	-	-	-	-
34105	33045	32130	31276	30441	29589	28681	25750	22031	16402	-	-	TXB-481002	495	10	6155
8.16/22	8.42/22	8.62/22	8.79/22	8.94/21	9.07/21	9.17/21	9.19/21	8.72/21	7.79/21	-	-	-	-	-	-
35139	34105	33209	32375	31563	30747	29887	27429	23870	18697	12370	-	TXB-481003	510	10	6342
8.92/23	9.19/23	9.40/23	9.59/23	9.74/22	9.88/22	9.99/22	10.09/22	9.73/21	8.99/22	7.27/23	-	-	-	-	-

Power Ratings (BHP) does not include transmission losses.
Performance certified is for installation type A - free inlet, free outlet.
Performance ratings do not include the effects of birdscreen in the airstream.
The sound ratings shown are loudness values in fan sones @ 5' (1.5m) in a hemispherical free field calculated per AMCA Standard 301. Values shown are for:
Installation Type A: free inlet hemispherical sone levels.



JencoFan Ventilation Systems, LLC., Div. of Soler & Palau Ventilation Group, certifies that the Models TXB shown herein are licensed to bear the AMCA Seal. The ratings shown are based on test and procedures performed in accordance with AMCA Publication 211 and AMCA Publication 311 and comply with the requirement of the AMCA Certified Ratings Program.

