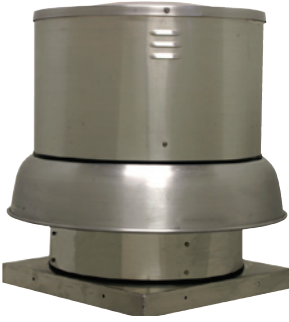


MODEL DB

BELT DRIVE CENTRIFUGAL ROOF EXHAUSTER



MODEL FEATURES

- Exhaust air up to 28,000 CFM in high static pressure applications up to 1-1/4" w.g.
- Attractive spun aluminum exterior
- Belt drives permit easy performance adjustments when needed
- Non-overloading backward inclined wheel for efficiency at higher static pressures
- AMCA Air and Sound Licensed
- cULus 705 Listed


APPLICATION CONSTRUCTION OPTIONS

MODEL NAME	TYPICAL APPLICATIONS
DB	Removal of clean air in general applications
DB-HWL	High Wind Load and Hurricane Zone version of DB

MODEL OVERVIEW

Model DB belt drive fans are designed to exhaust air up to 28,000 CFM in high static pressure applications to 1-1/4". The aluminum exterior provides an attractive appearance. Belt drive results in lower operating RPM and sound levels, making the Model DB well suited to applications where quiet operation is important. Belt drive also permits easy performance adjustments when needed to balance the total ventilation system. The non-overloading backward inclined wheel with its higher static pressure capability makes this unit suitable for either ducted or nonducted applications. Its roof mounting permits location near the area to be ventilated, allowing short duct runs and more efficient operation.

DBs are primarily used for the exhaust of relatively clean air from a wide range of commercial, industrial and institutional environments such as manufacturing and assembly plants, office buildings, schools, hospitals, restaurants, athletic facilities and many others

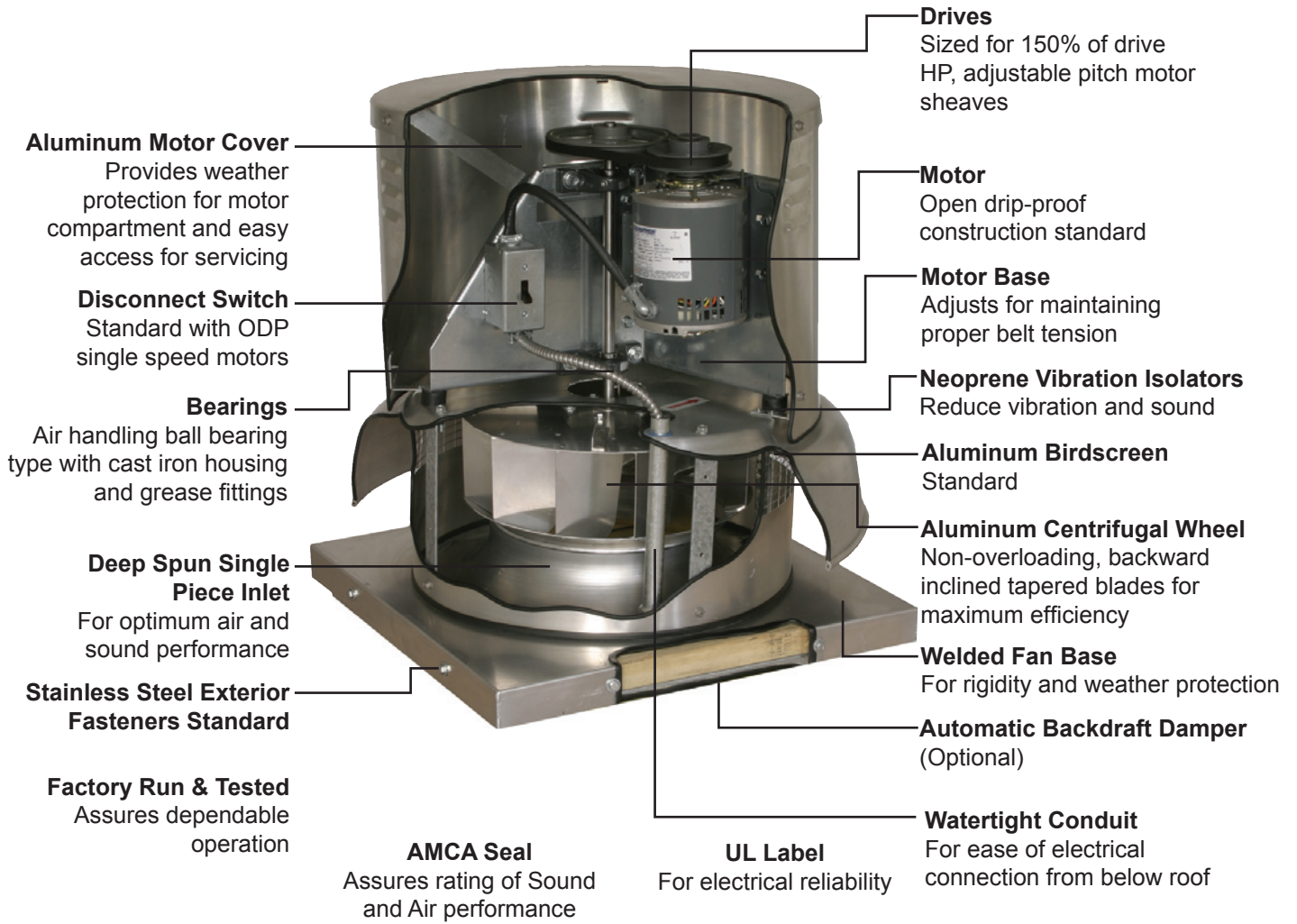


Model DB is available in our Quickship program. Sizes 6-36 are available for next day, 3-day or 10-day shipping from stock.

Industry best 5 year fan housing warranty, 1 year motor warranty



CONSTRUCTION FEATURES AND OPTIONS





CONSTRUCTION/SPECIFICATION CHECKLIST

Housing

- Curb cap with integral deep spun inlet for efficient performance.
- Heavy-gauge aluminum for extra strength.
- Designed for maximum weather protection and attractive appearance.
- Heavy-gauge motor support for rigidity and strength.
- Neoprene isolators for reduction of vibration and sound.
- Quick-Release latches on motor cover for easy access to motor compartment.
- Water tight conduit tube for easy electrical connection from below roof.
- Aluminum birdscreen standard.
- Stainless steel fasteners on exterior.

Centrifugal Wheel

- All aluminum wheel.
- Backward inclined for efficiency at higher static pressure.
- Non-overloading for safe operation in ducted systems.
- Tapered blades for efficiency and quiet operation.
- Heavy aluminum hub for extra strength.
- Statically and dynamically balanced for smooth operation.

Motors

- 1 year warranty.
- Brands are nationally recognized and locally serviced.
- Single speed open drip-proof are standard.
- Explosion-proof, totally enclosed and two-speed motors are available.
- All motors are rated for continuous duty.
- 182T and larger motors shipped unmounted for field installation.
- Disconnect switch standard on single speed drip-proof and totally enclosed motors.

Drives

- Sized for minimum 150% of drive horsepower.
- Machined cast iron adjustable motor pulleys.
- Adjustable base for belt tensioning.
- Non-static oil resistant V-Belts.

Bearings

- Heavy-duty ball bearing type.
- Pre-lubricated and permanently sealed.
- 5 year warranty.

AMCA Seal

- Assures accuracy of Air and Sound Performance.

cULus Label

- cULus 705 listing assures electrical safety and reliability.
- cULus 705 must be specified when required.



DB SPECIAL APPLICATIONS

High Wind Load and Hurricane Zone construction certified fans from S&P:



Model DB

Belt Drive Centrifugal Roof Exhausters with certified **HWL** (High Wind Load/Hurricane Zone) **Construction Option**.

The DB (belt drive) series of centrifugal downblast roof exhaust fans with the HWL construction option are suitable for use in high wind load applications which call for products with enhanced safety and structural resistance. The DB series is ideal for general roof mounted clean air exhaust applications where the air is discharged directly onto the roof surface.



- The only fans designed, developed, tested and manufactured in a hurricane zone!
- Designed to withstand wind loads in excess of 150mph (61psf).
- All models, without exception, have been tested and certified to ASTM Florida Building Code standards TAS 201-94, 202-94 and 203-94.
- All models are third party tested and Miami Dade County approved.
- Miami-Dade County, Florida NOA certifications:
 - Miami-Dade County, Florida #09-0513.01, expires 09/09/2014 – Models DB with HWL construction option.
- State licensed P.E reviewed for compliance with IBC, Florida Building Code and ASCE 7-02 Minimum Design Loads for Buildings.

MODEL	MIAMI-DADE, COUNTY, FLORIDA (NOA #)	EXHAUST	TAS 201	TAS 202	TAS 203	CLEAN AIR	GREASE LADEN AIR
DB	12-0229.09 exp. 09/09/2014	•	✓	✓	✓	•	

Florida Building Code **TAS 201-94**, Impact Test Procedures.

Florida Building Code **TAS 202-94**, Criteria for Testing Impact & Nonimpact Resistant Building Envelope Components using Uniform Static Air Pressure.

Florida Building Code **TAS 203-94**, Criteria for Testing Products Subject to Cyclic Wind Pressure Loading.

HWL Fan Construction Option, for High Wind Load & Hurricane Zone applications.

DB fans with the **HWL Construction Option**, include the following features as standard:

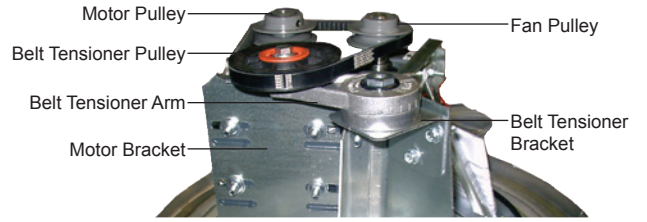
- High strength internal bracing and support structure.
- High strength, thick gauge, external aluminum shroud.
- High strength external stainless steel wire tie downs.
- Certified roof curbs must be used and are available in 8” up to 24” in height.



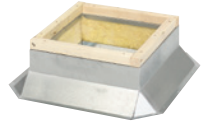


OPTIONS/ACCESSORIES

Automatic Belt Tensioner: Available on sizes 6-24, The Automatic Belt Tensioners eliminate the need for regular manual retensioning of drives, and the risk of inadvertently over-tensioning drive components is avoided and overall drive operating efficiency is enhanced. Benefits include reduction in startup and maintenance costs, increased belt life, increased drive efficiency, and ensure drive components do not snag obstructions.



Roof Curb: Prefabricated heavy-gauge galvanized steel, welded construction, 12" high (other heights are also available) with 1-1/2" wood nailer. Assures perfect fit of exhauster to roof opening. Options include burglar bars, single or double pitch construction and hinged curbs for easy duct access.



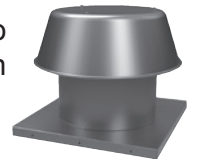
Sound Curb: Option of thermal acoustical lining or a complete maximum sound attenuating baffle system. Provision for mounting damper is available. Contact factory for information regarding effect on exhauster air performance and sound level.

Motor Operated Damper: Motor operated aluminum damper for positive closure against backdraft.



Automatic Damper: Automatic aluminum damper for ease in installation and effective backdraft protection.

Companion Gravity Units: Model RCX-II comes in a wide range of sizes and air capacities to provide relief or intake air to the system. Curbs and dampers are available to fit all sizes. Spun aluminum hoods provide a pleasing appearance, complementing the Model DB exhauster.



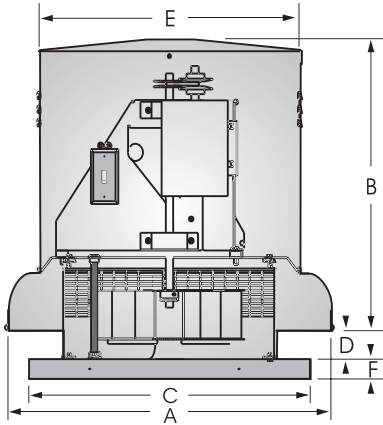
Special Coatings: Powered roof exhausters often require special coatings for protective and decorative purposes. Available coatings include: Synthetic Resin, Epoxy, and Heresite (air-dried phenolic). Contact your representative or the factory for more information on available coatings and colors.

Curb Hinge Arrangement: The curb hinge arrangement provides easy access to the exhaust fan, backdraft damper, and duct for servicing and cleaning.



PERFORMANCE/DIMENSIONS

SIZE 6



Damper OD	Roof Opening	Curb OD	A	B	C	D	E	F	Fan Wt	Ship Wt
11	11-1/2	14-3/4	20 -1/2	17-1/2	16-1/2	3-1/2	16-1/8	1-3/4	43	80

CFM / BHP @ Static Pressure / Sones											Drive Range	RPM	HP	Tip Speed
0	1/8	1/4	3/8	1/2	5/8	3/4	7/8	1	1-1/4	Catalog Number				
230	108	-	-	-	-	-	-	-	-	601	DP1	700	1/4	2058
.01/1.3	.01/0.7	-	-	-	-	-	-	-	-	602		750	1/4	2205
246	140	-	-	-	-	-	-	-	-	603		800	1/4	2352
.02/1.7	.02/1.1	-	-	-	-	-	-	-	-	604		850	1/4	2500
263	166	-	-	-	-	-	-	-	-	605		900	1/4	2647
.02/2.1	.02/1.5	-	-	-	-	-	-	-	-	606		950	1/4	2794
279	190	-	-	-	-	-	-	-	-	607		1000	1/4	2941
.02/2.5	.02/1.9	-	-	-	-	-	-	-	-	608		1050	1/4	3088
295	213	-	-	-	-	-	-	-	-	609		1100	1/4	3235
.03/2.9	.03/2.3	-	-	-	-	-	-	-	-	610		1150	1/4	3382
312	236	122	-	-	-	-	-	-	-	611	DP2	1200	1/4	3529
.03/3.3	.03/2.8	.03/2.2	-	-	-	-	-	-	-	612		1250	1/4	3676
328	257	160	-	-	-	-	-	-	-	613		1300	1/4	3823
.04/3.6	.04/3.1	.04/2.6	-	-	-	-	-	-	-	614		1350	1/4	3970
345	278	192	-	-	-	-	-	-	-	615		1400	1/4	4117
.04/4.0	.04/3.5	.04/3.0	-	-	-	-	-	-	-	616		1450	1/4	4264
361	298	219	-	-	-	-	-	-	-	617		1500	1/4	4411
.05/4.3	.05/3.8	.05/3.4	-	-	-	-	-	-	-	618		1550	1/4	4558
377	318	244	137	-	-	-	-	-	-	619		1600	1/4	4705
.06/4.7	.06/4.2	.06/3.8	.05/3.3	-	-	-	-	-	-	620		1650	1/4	4852
394	337	268	178	-	-	-	-	-	-	621	DP3	1700	1/4	4999
.06/5.2	.06/4.7	.07/4.3	.06/3.8	-	-	-	-	-	-	622		1750	1/4	5146
410	356	291	213	-	-	-	-	-	-	623		1800	1/4	5293
.07/5.6	.07/5.2	.07/4.8	.07/4.3	-	-	-	-	-	-	624		1850	1/4	5440
427	375	314	243	131	-	-	-	-	-	625		1900	1/4	5587
.08/6.1	.08/5.6	.08/5.2	.08/4.8	.07/4.3	-	-	-	-	-	626		1950	1/4	5734
443	394	336	269	178	-	-	-	-	-	627		2000	1/4	5881
.09/6.5	.09/6.1	.09/5.7	.09/5.3	.09/4.8	-	-	-	-	-	628		2050	1/4	6028
459	412	358	295	217	-	-	-	-	-	629		2100	1/4	6175
.10/7.0	.10/6.6	.10/6.2	.10/5.8	.10/5.3	-	-	-	-	-	630		2150	1/4	6322
476	431	379	319	250	143	-	-	-	-	631	DP4	2200	1/4	6469
.11/7.5	.11/7.1	.11/6.7	.11/6.3	.11/5.8	.10/5.4	-	-	-	-	632		2250	1/4	6616
492	449	399	342	279	191	-	-	-	-	633		2300	1/4	6763
.12/8.0	.12/7.6	.13/7.2	.13/6.8	.13/6.4	.12/6.0	-	-	-	-	634		2350	1/4	6910
509	467	420	365	307	231	115	-	-	-	635		2400	1/4	7057
.13/8.5	.14/8.1	.14/7.7	.14/7.3	.14/6.9	.13/6.5	.12/6.1	-	-	-	636		2450	1/4	7204
525	485	439	388	332	266	169	-	-	-	637		2500	1/4	7351
.15/9.0	.15/8.6	.15/8.2	.15/7.9	.15/7.5	.15/7.0	.14/6.6	-	-	-	638		2550	1/4	7498
541	503	459	410	356	297	215	-	-	-	639		2600	1/4	7645
.16/9.6	.17/9.2	.17/8.8	.17/8.4	.17/8.0	.17/7.6	.16/7.2	-	-	-	640		2650	1/4	7792
558	521	478	432	380	325	255	153	-	-	641	DP5	2700	1/4	7939
.18/10.1	.18/9.7	.18/9.4	.18/9.0	.18/8.6	.18/8.2	.18/7.8	.16/7.4	-	-	642		2750	1/4	8086
574	539	497	453	403	352	289	203	-	-	643		2800	1/4	8233
.19/10.7	.20/10.3	.20/9.9	.20/9.6	.20/9.2	.20/8.8	.20/8.4	.19/8.0	-	-	644		2850	1/4	8380

Power Ratings (BHP) does not include drive losses.
 Performance certified is for installation type A - free inlet, free outlet.
 Performance ratings include the effects of birdscreen in the airstream.
 The sound ratings shown are loudness values in fan sones @ 5' (1.5m) in a hemispherical free field calculated per AMCA Standard 301. Values shown are for: Installation Type A: free inlet hemispherical sone levels.



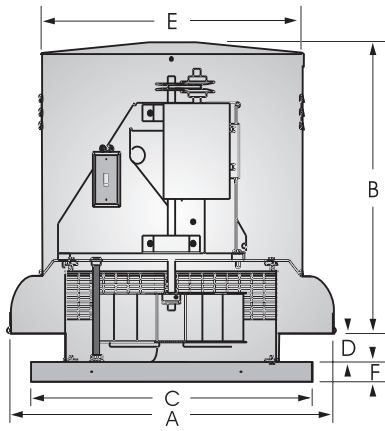
JencoFan Ventilation Systems, LLC., Div. of Soler & Palau Ventilation Group, certifies that the Models DB shown herein are licensed to bear the AMCA Seal. The ratings shown are based on test and procedures performed in accordance with AMCA Publication 211 and AMCA Publication 311 and comply with the requirement of the AMCA Certified Ratings Program.





MODEL DB
BELT DRIVE CENTRIFUGAL ROOF EXHAUSTER

SIZE 8



Damper OD	Roof Opening	Curb OD	A	B	C	D	E	F	Fan Wt	Ship Wt
11	11-1/2	14-3/4	20 -1/2	17-1/2	16-1/2	3-1/2	16-1/8	1-3/4	42	80

CFM / BHP @ Static Pressure / Sones											Drive Range	RPM	HP	Tip Speed
0	1/8	1/4	3/8	1/2	5/8	3/4	7/8	1	1-1/4	Catalog Number				
478	-	-	-	-	-	-	-	-	-	801	DP1	650	1/4	1911
.01/1.9	-	-	-	-	-	-	-	-	-	802		690	1/4	2029
508	252	-	-	-	-	-	-	-	-	803		750	1/4	2205
.01/2.2	.02/1.2	-	-	-	-	-	-	-	-	804		810	1/4	2382
552	338	-	-	-	-	-	-	-	-	805		870	1/4	2558
.02/2.8	.02/1.7	-	-	-	-	-	-	-	-	806		930	1/4	2735
596	408	-	-	-	-	-	-	-	-	807		990	1/4	2911
.02/3.3	.03/2.2	-	-	-	-	-	-	-	-	808		1050	1/4	3088
640	470	-	-	-	-	-	-	-	-	809		1110	1/4	3264
.03/3.8	.03/2.8	-	-	-	-	-	-	-	-	810		1170	1/4	3441
684	528	266	-	-	-	-	-	-	-	811	1230	1/4	3617	
.04/4.4	.04/3.4	.04/2.7	-	-	-	-	-	-	-	812	1290	1/4	3793	
728	586	380	-	-	-	-	-	-	-	813	1350	1/4	3970	
.04/4.9	.05/4.0	.05/3.2	-	-	-	-	-	-	-	814	1410	1/4	4146	
772	643	465	-	-	-	-	-	-	-	815	1470	1/4	4323	
.05/5.4	.06/4.5	.06/3.8	-	-	-	-	-	-	-	816	1530	1/4	4499	
816	696	538	249	-	-	-	-	-	-	817	1590	1/4	4676	
.06/5.9	.07/5.2	.07/4.4	.06/3.8	-	-	-	-	-	-	818	1650	1/4	4852	
861	747	604	391	-	-	-	-	-	-	819	1700	1/4	4999	
.07/6.5	.08/5.8	.08/5.1	.08/4.4	-	-	-	-	-	-	820	1760	1/3	5175	
905	798	664	492	-	-	-	-	-	-	821	1820	1/3	5352	
.08/7.0	.09/6.4	.10/5.8	.09/5.1	-	-	-	-	-	-	822	1870	1/3	5499	
949	847	723	575	312	-	-	-	-	-					
.09/7.6	.10/7.0	.11/6.4	.11/5.8	.10/5.1	-	-	-	-	-					
993	896	781	648	450	-	-	-	-	-					
.11/8.3	.12/7.6	.12/7.1	.13/6.5	.12/5.8	-	-	-	-	-					
1037	945	839	715	553	249	-	-	-	-					
.12/8.9	.13/8.3	.14/7.7	.14/7.2	.14/6.5	.12/6.0	-	-	-	-					
1081	994	895	777	638	420	-	-	-	-					
.14/9.5	.15/9.0	.16/8.4	.16/7.8	.16/7.2	.15/6.7	-	-	-	-					
1125	1041	949	837	714	542	-	-	-	-					
.16/10.3	.17/9.6	.18/9.1	.18/8.6	.18/8.0	.18/7.4	-	-	-	-					
1170	1089	1001	895	783	639	409	-	-	-					
.18/11.0	.19/10.4	.20/9.8	.20/9.3	.21/8.7	.20/8.1	.18/7.5	-	-	-					
1214	1136	1053	953	849	722	545	-	-	-					
.20/11.7	.21/11.1	.22/10.6	.23/10.0	.23/9.5	.23/8.9	.22/8.3	-	-	-					
1250	1176	1095	1002	900	785	634	394	-	-					
.22/12.4	.23/11.8	.24/11.2	.25/10.7	.25/10.2	.25/9.5	.25/8.9	.22/8.4	-	-					
1295	1223	1145	1059	960	856	726	543	-	-					
.24/13.1	.25/12.6	.26/12.0	.27/11.4	.28/10.9	.28/10.4	.28/9.7	.26/9.2	-	-					
1339	1269	1195	1114	1018	922	807	658	429	-					
.27/13.9	.28/13.3	.29/12.8	.30/12.3	.31/11.7	.31/11.2	.31/10.6	.30/10.0	.27/9.5	-					
1375	1308	1236	1159	1066	975	870	739	555	-					
.29/14.5	.30/14.0	.32/13.4	.32/13.0	.33/12.5	.33/12.0	.33/11.3	.33/10.7	.31/10.2	-					

Power Ratings (BHP) does not include drive losses.
 Performance certified is for installation type A - free inlet, free outlet.
 Performance ratings include the effects of birdscreen in the airstream.
 The sound ratings shown are loudness values in fan sones @ 5' (1.5m) in a hemispherical free field calculated per AMCA Standard 301. Values shown are for Installation Type A: free inlet hemispherical sone levels.

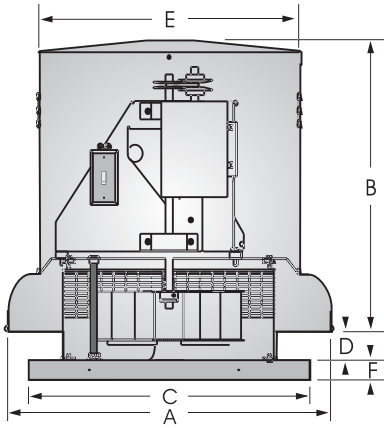


JencoFan Ventilation Systems, LLC., Div. of Soler & Palau Ventilation Group, certifies that the Models DB shown herein are licensed to bear the AMCA Seal. The ratings shown are based on test and procedures performed in accordance with AMCA Publication 211 and AMCA Publication 311 and comply with the requirement of the AMCA Certified Ratings Program.





SIZE 9



Damper OD	Roof Opening	Curb OD	A	B	C	D	E	F	Fan Wt	Ship Wt
11	11-1/2	14-3/4	20 -1/2	17-1/2	16-1/2	3-1/2	16-1/8	1-3/4	44	80

CFM / BHP @ Static Pressure / Sones										Catalog Number	Drive Range	RPM	HP	Tip Speed	
0	1/8	1/4	3/8	1/2	5/8	3/4	7/8	1	1-1/4						
694	467	-	-	-	-	-	-	-	-	901	DP6	710	1/4	2277	
.04/3.8	.03/2.6	-	-	-	-	-	-	-	-	902		750	1/4	2405	
734	525	-	-	-	-	-	-	-	-	903		790	1/4	2534	
.04/4.3	.04/3.1	-	-	-	-	-	-	-	-	904		830	1/4	2662	
773	580	-	-	-	-	-	-	-	-	905		870	1/4	2790	
.05/4.8	.05/3.6	-	-	-	-	-	-	-	-	906		910	1/4	2918	
812	633	360	-	-	-	-	-	-	-	907		950	1/4	3047	
.06/5.4	.05/4.2	.05/3.5	-	-	-	-	-	-	-	908		990	1/4	3175	
851	683	439	-	-	-	-	-	-	-	909		1030	1/4	3303	
.06/5.9	.06/4.8	.05/4.0	-	-	-	-	-	-	-	910		1070	1/4	3432	
890	733	511	-	-	-	-	-	-	-	911	DP7	1110	1/4	3560	
.07/6.5	.07/5.5	.07/4.6	-	-	-	-	-	-	-	912		1150	1/4	3688	
929	781	577	-	-	-	-	-	-	-	913		1190	1/4	3816	
.08/7.0	.08/6.1	.08/5.1	-	-	-	-	-	-	-	914		1230	1/4	3945	
968	828	640	-	-	-	-	-	-	-	915		1270	1/4	4073	
.10/7.6	.09/6.7	.09/5.9	-	-	-	-	-	-	-	916		1310	1/4	4201	
1007	874	699	469	-	-	-	-	-	-	917		1350	1/4	4330	
.11/8.2	.10/7.4	.10/6.5	.09/6.0	-	-	-	-	-	-	918		1390	1/4	4458	
1046	919	756	546	-	-	-	-	-	-	919		DP8	1420	1/4	4554
.12/8.8	.12/8.1	.11/7.3	.10/6.5	-	-	-	-	-	-	920			1470	1/3	4714
1086	964	811	618	-	-	-	-	-	-	921	1510		1/3	4843	
.13/9.5	.13/8.9	.13/8.0	.12/7.2	-	-	-	-	-	-	922	1550		1/3	4971	
1125	1008	864	685	-	-	-	-	-	-	923	1590		1/3	5100	
.15/10.2	.15/9.6	.14/8.8	.13/8.0	-	-	-	-	-	-	924	1630		1/3	5229	
1164	1052	916	749	543	-	-	-	-	-	925	1670		1/3	5358	
.17/10.9	.16/10.3	.16/9.6	.15/8.8	.14/8.2	-	-	-	-	-	926	1710		1/3	5487	
1203	1096	966	810	621	-	-	-	-	-	927	1750		1/3	5616	
.18/11.6	.18/11.1	.18/10.4	.17/9.7	.16/8.8	-	-	-	-	-	928	1790		1/3	5745	
1242	1139	1015	868	693	-	-	-	-	-	929	DP9	1830	1/3	5874	
.20/12.2	.20/11.7	.19/11.1	.19/10.4	.18/9.6	-	-	-	-	-	930		1870	1/3	6003	
1281	1182	1064	925	761	565	-	-	-	-	931		1910	1/3	6132	
.22/12.7	.22/12.2	.21/11.7	.21/11.0	.20/10.2	.18/9.8	-	-	-	-	932		1950	1/3	6261	
1320	1224	1112	980	827	646	-	-	-	-	933		DP10	1990	1/3	6390
.24/13.2	.24/12.8	.23/12.2	.23/11.6	.22/10.8	.20/10.2	-	-	-	-	934			2030	1/3	6519
1359	1267	1159	1034	889	721	-	-	-	-	935			2070	1/3	6648
.26/13.8	.26/13.4	.26/12.9	.25/12.2	.24/11.5	.23/10.7	-	-	-	-	936			2110	1/3	6777
1398	1298	1193	1073	935	775	587	-	-	-	937			2150	1/3	6906
.28/14.2	.28/13.8	.27/13.3	.27/12.7	.26/11.9	.25/11.2	.22/11.0	-	-	-	938			2190	1/3	7035
1438	1351	1251	1137	1008	860	690	-	-	-	939	2230		1/3	7164	
.31/14.9	.31/14.5	.30/14.1	.30/13.4	.29/12.8	.28/12.0	.26/11.6	-	-	-	940	2270		1/3	7293	
1477	1393	1296	1188	1065	925	767	-	-	-	941	2310		1/3	7422	
.34/15.5	.33/15.1	.33/14.7	.33/14.0	.32/13.5	.31/12.7	.29/12.1	-	-	-	942	2350		1/3	7551	
1516	1434	1341	1237	1120	988	839	669	-	-	943	2390	1/3	7680		
.37/16.2	.36/15.7	.36/15.3	.35/14.7	.35/14.2	.34/13.5	.32/12.7	.29/12.6	-	-	944	2430	1/3	7809		

Power Ratings (BHP) does not include drive losses.
Performance certified is for installation type A - free inlet, free outlet.
Performance ratings include the effects of birdscreen in the airstream.
The sound ratings shown are loudness values in fan sones @ 5' (1.5m) in a hemispherical free field calculated per AMCA Standard 301. Values shown are for: Installation Type A: free inlet hemispherical sone levels.



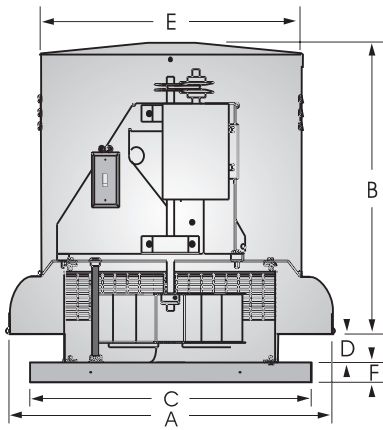
JencoFan Ventilation Systems, LLC., Div. of Soler & Palau Ventilation Group, certifies that the Models DB shown herein are licensed to bear the AMCA Seal. The ratings shown are based on test and procedures performed in accordance with AMCA Publication 211 and AMCA Publication 311 and comply with the requirement of the AMCA Certified Ratings Program.





MODEL DB
BELT DRIVE CENTRIFUGAL ROOF EXHAUSTER

SIZE 11



Damper OD	Roof Opening	Curb OD	A	B	C	D	E	F	Fan Wt	Ship Wt
18	19-1/2	22-1/4	28-3/8	23	24	3-1/2	22-1/2	2	64	130

CFM / BHP @ Static Pressure / Sones											Drive Range	RPM	HP	Tip Speed
0	1/8	1/4	3/8	1/2	5/8	3/4	7/8	1	1-1/4	Catalog Number				
771 .02/3.8	508 .03/2.8	-	-	-	-	-	-	-	-	1101	DP11	670	1/4	2275
846 .03/4.6	613 .03/3.7	-	-	-	-	-	-	-	-	1102		735	1/4	2489
921 .04/5.5	711 .04/4.7	436 .04/4.0	-	-	-	-	-	-	-	1103		800	1/4	2703
996 .05/6.4	804 .05/5.8	571 .06/4.8	-	-	-	-	-	-	-	1104		865	1/4	2918
1070 .06/7.4	894 .07/6.8	688 .07/6.0	405 .06/5.7	-	-	-	-	-	-	1105		930	1/4	3132
1145 .07/8.4	982 .08/7.8	796 .08/7.1	568 .08/6.6	-	-	-	-	-	-	1106		995	1/4	3346
1214 .08/9.4	1062 .09/8.8	890 .1/8.2	691 .1/7.5	406 .09/7.5	-	-	-	-	-	1107		1055	1/4	3561
1289 .1/10.6	1146 .11/10	988 .12/9.5	810 .12/8.7	590 .12/8.5	-	-	-	-	-	1108		1120	1/4	3775
1364 .12/11.8	1230 .13/11.3	1083 .14/10.8	921 .14/10.1	732 .14/9.5	473 .13/9.5	-	-	-	-	1109		1185	1/4	3989
1450 .14/13.1	1325 .15/12.6	1188 .16/12.2	1041 .17/11.4	876 .17/10.8	678 .17/10.6	348 .13/10.6	-	-	-	1110		1260	1/4	4203
1508 .16/13.8	1388 .17/13.3	1258 .18/12.9	1118 .19/12.3	965 .19/11.7	788 .19/11.3	557 .18/11.3	-	-	-	1111	1310	1/4	4418	
1571 .18/14.7	1456 .19/14.3	1332 .2/13.8	1200 .21/13.3	1058 .22/12.6	898 .22/12	707 .21/12	402 .17/12	-	-	1112	1365	1/4	4632	
1623 .2/15.5	1512 .21/15	1393 .22/14.6	1266 .23/14	1131 .24/13.4	982 .24/12.8	810 .24/12.6	586 .22/12.6	-	-	1113	1410	1/4	4846	
1698 .23/16.6	1592 .24/16.2	1479 .25/15.7	1360 .26/15.3	1233 .27/14.6	1096 .28/14	944 .28/13.5	765 .27/13.5	508 .23/13.5	-	1114	1475	1/4	5061	
1755 .25/17.6	1654 .26/17.1	1545 .28/16.7	1430 .29/16.3	1310 .30/15.7	1181 .31/15	1040 .31/14.5	880 .3/14.3	680 .28/14.3	-	1115	1525	1/3	5225	
1824 .28/18.8	1727 .30/18.3	1623 .31/17.9	1513 .32/17.5	1399 .33/17	1278 .34/16.3	1148 .34/15.8	1004 .34/15.4	837 .33/15.4	-	1116	1585	1/3	5390	
1870 .30/19.7	1776 .32/19.2	1674 .33/18.8	1568 .35/18.3	1458 .36/17.9	1341 .37/17.2	1217 .37/16.7	1081 .37/16.2	929 .36/16.1	437 .28/16.1	1117	1625	1/3	5555	
1939 .34/21	1849 .35/21	1751 .37/20	1650 .38/19.6	1544 .4/19.2	1434 .41/18.6	1317 .41/18	1192 .41/17.5	1054 .41/17.3	699 .37/17.3	1118	1685	1/2	5720	
1980 .36/22	1891 .38/21	1795 .39/21	1697 .41/20	1594 .42/20	1487 .43/19.4	1374 .44/18.8	1254 .44/18.3	1123 .44/18	803 .41/18	1119	1720	1/2	5885	
2095 .43/24	2012 .44/24	1922 .46/23	1829 .48/23	1734 .49/22	1634 .50/22	1531 .51/21	1423 .52/21	1307 .52/20	1045 .51/20	1120	1820	1/2	6050	
2129 .45/25	2048 .46/24	1959 .48/24	1869 .50/24	1775 .51/23	1678 .53/23	1577 .54/22	1471 .54/22	1360 .55/21	1109 .54/21	1121	1850	1/2	6214	

Power Ratings (BHP) does not include drive losses.
 Performance certified is for installation type A - free inlet, free outlet.
 Performance ratings include the effects of birdscreen in the airstream.
 The sound ratings shown are loudness values in fan sones @ 5' (1.5m) in a hemispherical free field calculated per AMCA Standard 301. Values shown are for: Installation Type A: free inlet hemispherical sone levels.



JencoFan Ventilation Systems, LLC., Div. of Soler & Palau Ventilation Group, certifies that the Models DB shown herein are licensed to bear the AMCA Seal. The ratings shown are based on test and procedures performed in accordance with AMCA Publication 211 and AMCA Publication 311 and comply with the requirement of the AMCA Certified Ratings Program.

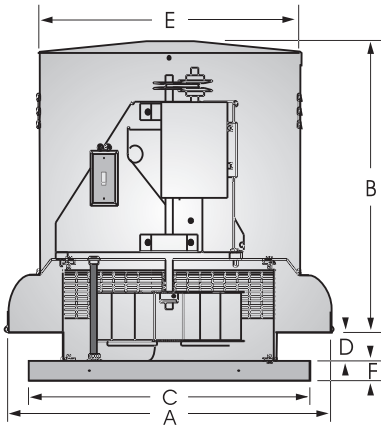




MODEL DB
BELT DRIVE CENTRIFUGAL ROOF EXHAUSTER

JencoFan

SIZE 12



Damper OD	Roof Opening	Curb OD	A	B	C	D	E	F	Fan Wt	Ship Wt
18	19-1/2	22-1/4	28-3/8	23	24	3-1/2	22-1/2	2	65	130

CFM / BHP @ Static Pressure / Sones											Drive Range	RPM	HP	Tip Speed		
0	1/8	1/4	3/8	1/2	5/8	3/4	7/8	1	1-1/4	Catalog Number						
959	692	-	-	-	-	-	-	-	-	1201	DP15	640	1/4	2371		
.03/3.7	.03/3.0	-	-	-	-	-	-	-	-	1202		690	1/4	2556		
1109	889	576	-	-	-	-	-	-	-	1203		740	1/4	2742		
.04/5.0	.05/4.5	.05/3.5	-	-	-	-	-	-	-	1204		790	1/4	2927		
1184	982	719	-	-	-	-	-	-	-	1205		840	1/4	3112		
.05/5.7	.06/5.2	.06/4.2	-	-	-	-	-	-	-	1206		890	1/4	3297		
1259	1072	839	467	-	-	-	-	-	-	1207		940	1/4	3483		
.06/6.4	.07/5.9	.08/5.1	.07/4.2	-	-	-	-	-	-	1208		990	1/4	3668		
1334	1159	947	653	-	-	-	-	-	-	1209		1040	1/4	3853		
.07/7.0	.08/6.6	.09/6.0	.09/4.9	-	-	-	-	-	-	1210		1090	1/4	4038		
1409	1244	1049	805	390	-	-	-	-	-	1211	DP16	1140	1/4	4224		
.08/7.6	.09/7.2	.10/6.8	.11/5.8	.08/4.9	-	-	-	-	-	1212		1190	1/4	4409		
1484	1329	1148	937	621	-	-	-	-	-	1213		1240	1/4	4594		
.10/8.3	.11/7.9	.12/7.5	.13/6.6	.12/5.7	-	-	-	-	-	1214		1280	1/4	4742		
1559	1412	1244	1052	794	369	-	-	-	-	1215		DP17	1320	1/3	4891	
.11/9.0	.13/8.6	.14/8.3	.14/7.5	.14/6.6	.11/5.8	-	-	-	-	1216			1360	1/3	5039	
1634	1494	1339	1160	943	627	-	-	-	-	1217			1390	1/3	5150	
.13/9.7	.14/9.3	.16/9.0	.16/8.5	.17/7.5	.15/6.6	-	-	-	-	1218			1440	1/2	5335	
1709	1576	1430	1262	1075	813	409	-	-	-	1219			DP18	1480	1/2	5483
.15/10.4	.16/10.1	.18/9.8	.19/9.5	.19/8.4	.18/7.5	.14/6.7	-	-	-	1220				1520	1/2	5632
1784	1657	1519	1362	1191	971	669	-	-	-	1221	1560			1/2	5780	
.17/11.2	.18/10.9	.20/10.6	.21/10.3	.22/9.4	.22/8.4	.19/7.6	-	-	-	1222	1600			1/2	5928	
1859	1737	1607	1459	1300	1113	495	861	699	709	1219	DP19			1480	1/2	5483
.19/12.0	.21/11.7	.22/11.4	.24/11.1	.24/10.5	.25/9.4	.24/8.5	.19/7.8	-	-	1219				1520	1/2	5632
1919	1801	1676	1536	1383	1215	992	861	699	709	1219		1560		1/2	5780	
.21/12.7	.23/12.3	.24/12.1	.26/11.8	.27/11.4	.27/10.3	.27/9.3	.24/8.5	-	-	1219		1600		1/2	5928	
1979	1865	1744	1611	1465	1308	1112	861	495	709	1219		DP19		1480	1/2	5483
.23/13.2	.25/13.1	.26/12.7	.28/12.5	.29/12.2	.30/11.2	.30/10.2	.28/9.3	.22/8.6	-	1216				1360	1/3	5039
2039	1929	1812	1686	1545	1397	1223	999	709	709	1216			1390	1/3	5150	
.25/13.9	.27/13.6	.29/13.5	.30/13.1	.32/12.9	.32/12.1	.33/11.0	.31/10.1	.28/9.3	-	1217			1440	1/2	5335	
2084	1976	1862	1740	1603	1461	1301	1094	839	839	1217			1480	1/2	5483	
.27/14.4	.29/14.1	.30/13.9	.32/13.7	.33/13.4	.34/12.8	.35/11.7	.34/10.8	.32/9.9	-	1218			1520	1/2	5632	
2159	2055	1946	1830	1701	1565	1419	1242	1022	1022	1218	1560		1/2	5780		
.30/15.2	.32/15.0	.34/14.8	.35/14.5	.37/14.4	.38/14.0	.38/12.9	.38/11.9	.37/11.1	-	1219	1600		1/2	5928		
2219	2118	2012	1900	1777	1646	1509	1350	1151	579	1219	DP19		1480	1/2	5483	
.33/15.9	.35/15.7	.36/15.5	.38/15.3	.40/15.1	.41/15.0	.42/13.9	.42/12.9	.41/12.0	.32/10.3	1220			1520	1/2	5632	
2279	2181	2078	1970	1853	1726	1595	1451	1272	791	1220		1560	1/2	5780		
.35/16.7	.37/16.4	.39/16.2	.41/16.0	.43/15.8	.44/15.7	.45/14.8	.45/13.9	.45/13.0	.39/11.3	1221		1600	1/2	5928		
2339	2243	2144	2039	1927	1804	1679	1544	1385	961	1221		DP19	1480	1/2	5483	
.38/17.4	.40/17.2	.42/17.0	.44/16.8	.46/16.6	.47/16.4	.48/15.9	.49/14.8	.49/13.8	.45/12.2	1222			1520	1/2	5632	
2399	2306	2209	2108	2001	1882	1760	1633	1489	1109	1222			1560	1/2	5780	
.41/18.1	.43/17.9	.45/17.8	.47/17.6	.49/17.4	.51/17.2	.52/16.9	.52/15.9	.53/14.8	.50/13.1	1222			1600	1/2	5928	

Power Ratings (BHP) does not include drive losses.
 Performance certified is for installation type A - free inlet, free outlet.
 Performance ratings include the effects of birdscreen in the airstream.
 The sound ratings shown are loudness values in fan sones @ 5' (1.5m) in a hemispherical free field calculated per AMCA Standard 301. Values shown are for: Installation Type A: free inlet hemispherical sone levels.



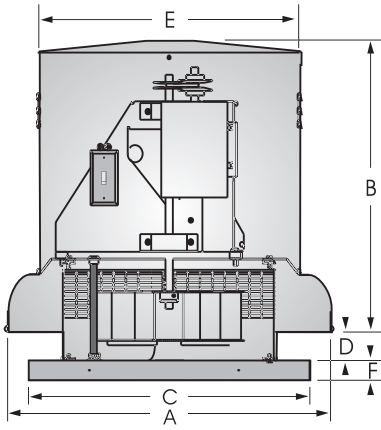
JencoFan Ventilation Systems, LLC., Div. of Soler & Palau Ventilation Group, certifies that the Models DB shown herein are licensed to bear the AMCA Seal. The ratings shown are based on test and procedures performed in accordance with AMCA Publication 211 and AMCA Publication 311 and comply with the requirement of the AMCA Certified Ratings Program.





MODEL DB
BELT DRIVE CENTRIFUGAL ROOF EXHAUSTER

SIZE 14



Damper OD	Roof Opening	Curb OD	A	B	C	D	E	F	Fan Wt	Ship Wt
18	19-1/2	22-1/4	28-3/8	23	24	3-1/2	22-1/2	2	71	140

CFM / BHP @ Static Pressure / Sones											Drive Range	RPM	HP	Tip Speed
0	1/8	1/4	3/8	1/2	5/8	3/4	7/8	1	1-1/4	Catalog Number				
996	514	-	-	-	-	-	-	-	-	1401	DP20	435	1/4	1732
.02/2.3	.02/1.2	-	-	-	-	-	-	-	-	1402		475	1/4	1891
1088	710	-	-	-	-	-	-	-	-	1403		525	1/4	2090
.03/2.9	.03/1.9	-	-	-	-	-	-	-	-	1404		575	1/4	2289
1203	901	-	-	-	-	-	-	-	-	1405		625	1/4	2488
.04/3.6	.04/2.7	-	-	-	-	-	-	-	-	1406		675	1/4	2687
1317	1060	-	-	-	-	-	-	-	-	1407		725	1/4	2886
.05/4.3	.05/3.6	-	-	-	-	-	-	-	-	1408		775	1/4	3085
1432	1206	791	-	-	-	-	-	-	-	1409		825	1/4	3284
.06/5.0	.07/4.5	.06/3.4	-	-	-	-	-	-	-	1410		875	1/4	3483
1546	1343	1018	-	-	-	-	-	-	-	1411	DP21	925	1/4	3682
.08/5.9	.08/5.4	.08/4.3	-	-	-	-	-	-	-	1412		975	1/4	3881
1661	1475	1213	-	-	-	-	-	-	-	1413		1025	1/3	4080
.10/6.7	.10/6.2	.10/5.3	-	-	-	-	-	-	-	1414		1075	1/3	4279
1775	1604	1381	1017	-	-	-	-	-	-	1415		1125	1/2	4478
.12/7.4	.13/7.0	.13/6.3	.11/5.3	-	-	-	-	-	-	1416		1175	1/2	4677
1890	1731	1535	1240	-	-	-	-	-	-	1417		1225	1/2	4876
.15/8.2	.15/7.8	.15/7.3	.14/6.3	-	-	-	-	-	-	1418		1260	3/4	5016
2004	1857	1680	1439	1065	-	-	-	-	-	1419		1300	3/4	5175
.18/9.0	.18/8.6	.18/8.2	.18/7.2	.16/6.4	-	-	-	-	-	1420		1350	3/4	5374
2119	1981	1819	1613	1311	-	-	-	-	-	1421	DP22	1375	3/4	5473
.21/9.9	.21/9.5	.22/9.1	.21/8.3	.20/7.4	-	-	-	-	-	1422		1400	3/4	5573
2233	2103	1953	1773	1525	1168	-	-	-	-	1423		1400	3/4	5573
.24/10.9	.25/10.4	.25/10.0	.25/9.4	.24/8.5	.22/7.7	-	-	-	-	1424		1400	3/4	5573
2348	2225	2085	1923	1714	1425	-	-	-	-	1425		1400	3/4	5573
.28/11.8	.29/11.4	.29/11.0	.29/10.5	.29/9.6	.27/8.8	-	-	-	-	1426		1400	3/4	5573
2462	2346	2215	2067	1885	1642	1328	-	-	-	1427		1400	3/4	5573
.33/12.8	.33/12.4	.34/12.0	.34/11.7	.34/10.7	.32/9.9	.29/9.1	-	-	-	1428		1400	3/4	5573
2577	2466	2343	2206	2044	1840	1571	-	-	-	1429		1400	3/4	5573
.37/13.7	.38/13.4	.39/13.1	.39/12.6	.39/12.0	.38/11.1	.36/10.3	-	-	-	1430		1400	3/4	5573
2692	2586	2470	2341	2195	2018	1788	1510	-	-	1431	1400	3/4	5573	
.42/14.8	.43/14.5	.44/14.1	.44/13.7	.44/13.2	.44/12.3	.42/11.5	.39/10.8	-	-	1432	1400	3/4	5573	
2806	2705	2595	2474	2340	2183	1988	1740	1408	-	1433	1400	3/4	5573	
.48/15.9	.49/15.5	.50/15.2	.50/14.8	.50/14.4	.50/13.6	.49/12.8	.46/12.0	.42/11.3	-	1434	1400	3/4	5573	
2886	2788	2682	2566	2439	2292	2116	1893	1633	-	1435	1400	3/4	5573	
.52/16.7	.53/16.3	.54/15.9	.55/15.6	.55/15.2	.54/14.5	.54/13.7	.52/12.9	.48/12.2	-	1436	1400	3/4	5573	
2978	2883	2781	2670	2550	2414	2254	2058	1818	-	1437	1400	3/4	5573	
.57/17.6	.58/17.2	.59/16.8	.60/16.5	.60/16.1	.60/15.5	.59/14.7	.58/13.9	.55/13.3	-	1438	1400	3/4	5573	
3092	3001	2904	2799	2685	2560	2417	2247	2036	-	1439	1400	3/4	5573	
.64/18.7	.65/18.3	.66/18.0	.67/17.6	.67/17.3	.67/16.9	.67/16.0	.66/15.3	.64/14.5	-	1440	1400	3/4	5573	
3150	3060	2965	2862	2752	2632	2495	2335	2141	1621	1441	1400	3/4	5573	
.68/19.3	.69/19.0	.70/18.6	.71/18.2	.71/17.8	.71/17.5	.71/16.7	.70/16.0	.68/15.2	.60/13.9	1442	1400	3/4	5573	
3207	3119	3026	2926	2819	2703	2572	2420	2240	1782	1443	1400	3/4	5573	
.72/19.9	.73/19.6	.74/19.2	.74/18.8	.75/18.5	.75/18.1	.75/17.4	.74/16.6	.72/15.9	.66/14.5	1444	1400	3/4	5573	

Power Ratings (BHP) does not include drive losses.
 Performance certified is for installation type A - free inlet, free outlet.
 Performance ratings include the effects of birdscreen in the airstream.
 The sound ratings shown are loudness values in fan sones @ 5' (1.5m) in a hemispherical free field calculated per AMCA Standard 301. Values shown are for: Installation Type A: free inlet hemispherical sone levels.

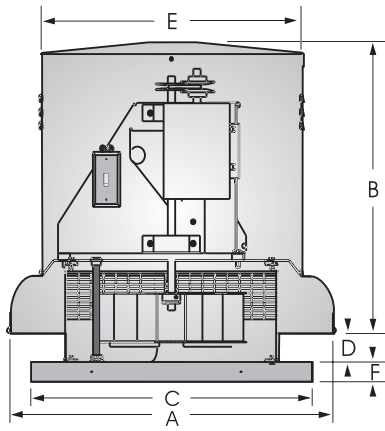


JencoFan Ventilation Systems, LLC., Div. of Soler & Palau Ventilation Group, certifies that the Models DB shown herein are licensed to bear the AMCA Seal. The ratings shown are based on test and procedures performed in accordance with AMCA Publication 211 and AMCA Publication 311 and comply with the requirement of the AMCA Certified Ratings Program.





SIZE 16



Dimensional Data										
Damper OD	Roof Opening	Curb OD	A	B	C	D	E	F	Fan Wt	Ship Wt
18	19-1/2	22-1/4	32-1/4	24	24	6	26-1/4	2-1/2	79	145

CFM / BHP @ Static Pressure / Sones											Drive Range	RPM	HP	Tip Speed		
0	1/8	1/4	3/8	1/2	5/8	3/4	7/8	1	1-1/4	Catalog Number						
.04/2.9	.04/1.8	-	-	-	-	-	-	-	-	1601	DP26	425	1/4	2030		
.05/3.6	.05/2.6	-	-	-	-	-	-	-	-	1602		465	1/4	2221		
.06/4.3	.07/3.3	-	-	-	-	-	-	-	-	1603		505	1/4	2413		
.07/5.0	.08/4.1	-	-	-	-	-	-	-	-	1604		545	1/4	2604		
.09/5.8	.10/4.9	.10/4.0	-	-	-	-	-	-	-	1605		585	1/4	2795		
.11/6.5	.12/5.7	.12/4.8	-	-	-	-	-	-	-	1606		625	1/4	2986		
.13/7.2	.15/6.4	.15/5.6	-	-	-	-	-	-	-	1607		665	1/4	3177		
.16/8.0	.17/7.2	.18/6.4	.17/6.2	-	-	-	-	-	-	1608		705	1/4	3368		
.19/8.7	.20/7.9	.21/7.2	.21/6.5	-	-	-	-	-	-	1609		745	1/4	3559		
.22/9.5	.24/8.7	.25/8.0	.25/7.4	.20/7.2	-	-	-	-	-	1610		785	1/4	3750		
.23/9.8	.25/9.0	.26/8.3	.26/7.7	.23/7.5	-	-	-	-	-	1611	DP29	800	1/4	3822		
.26/10.3	.27/9.5	.29/8.8	.29/8.2	.27/7.7	-	-	-	-	-	1612		825	1/3	3941		
.28/10.7	.29/10.0	.31/9.2	.31/8.6	.30/8.1	-	-	-	-	-	1613		845	1/3	4037		
.30/11.2	.32/10.4	.33/9.8	.34/9.1	.34/8.6	.25/8.5	-	-	-	-	1614		DP31	870	1/3	4156	
.33/11.9	.35/11.1	.37/10.4	.38/9.8	.37/9.3	.33/9.1	-	-	-	-	1615			900	1/2	4300	
.37/12.5	.39/11.8	.40/11.1	.42/10.5	.42/9.9	.40/9.6	-	-	-	-	1616			930	1/2	4430	
.40/13.2	.43/12.5	.44/11.8	.46/11.1	.46/10.7	.45/10.2	.36/9.9	-	-	-	1617			960	1/2	4586	
.46/14.0	.48/13.4	.50/12.7	.51/12.1	.52/11.5	.51/11.2	.48/11.0	-	-	-	1618			DP31	1000	1/2	4778
.54/15.5	.57/14.8	.59/14.1	.60/13.6	.62/13.1	.62/12.6	.60/13.0	.54/12.8	-	-	1619				1060	3/4	5064
.59/16.2	.62/15.6	.64/15.0	.65/14.3	.67/13.8	.67/13.4	.66/13.6	.63/14.4	.45/14.2	-	1620				1090	3/4	5207
.64/17.0	.67/16.4	.69/15.8	.71/15.2	.72/14.6	.73/14.2	.72/14.3	.70/15.1	.60/14.9	-	1621	1120			3/4	5351	
.70/17.9	.73/17.3	.75/16.7	.77/16.2	.79/15.7	.79/15.1	.79/15.0	.78/15.9	.73/15.9	-	1622	1155			3/4	5518	

Power Ratings (BHP) does not include drive losses.
 Performance certified is for installation type A - free inlet, free outlet.
 Performance ratings include the effects of birdscreen in the airstream.
 The sound ratings shown are loudness values in fan sones @ 5' (1.5m) in a hemispherical free field calculated per AMCA Standard 301. Values shown are for: Installation Type A: free inlet hemispherical sone levels.



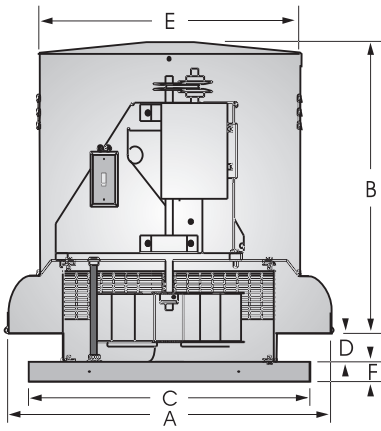
JencoFan Ventilation Systems, LLC., Div. of Soler & Palau Ventilation Group, certifies that the Models DB shown herein are licensed to bear the AMCA Seal. The ratings shown are based on test and procedures performed in accordance with AMCA Publication 211 and AMCA Publication 311 and comply with the requirement of the AMCA Certified Ratings Program.





MODEL DB
BELT DRIVE CENTRIFUGAL ROOF EXHAUSTER

SIZE 18



Dimensional Data										
Damper OD	Roof Opening	Curb OD	A	B	C	D	E	F	Fan Wt	Ship Wt
24	24-3/4	27-3/4	32-1/4	24	29-1/2	4-1/2	26-1/4	2-1/2	96	160

CFM / BHP @ Static Pressure / Sones											Drive Range	RPM	HP	Tip Speed
0	1/8	1/4	3/8	1/2	5/8	3/4	7/8	1	1-1/4	Catalog Number				
2031	1663	1054	-	-	-	-	-	-	-	1801	DP32	535	1/4	2556
.09/6.4	.10/5.4	.08/5.6	-	-	-	-	-	-	-	1802		580	1/4	2771
2372	2077	1679	-	-	-	-	-	-	-	1803		625	1/4	2986
.15/8.3	.15/7.4	.15/6.5	-	-	-	-	-	-	-	1804		670	1/4	3201
2543	2274	1924	1431	-	-	-	-	-	-	1805		715	1/4	3416
.18/9.4	.19/8.5	.19/7.6	.17/7.8	-	-	-	-	-	-	1806		760	1/3	3631
2714	2465	2151	1740	-	-	-	-	-	-	1807		805	1/3	3846
.22/10.5	.23/9.6	.23/8.7	.22/9.0	-	-	-	-	-	-	1808		850	1/2	4061
2885	2653	2369	2024	1531	-	-	-	-	-	1809		895	1/2	4276
.26/11.5	.27/10.6	.27/9.8	.27/9.0	.24/8.8	-	-	-	-	-	1810		940	1/2	4491
3056	2838	2579	2274	1873	-	-	-	-	-	1811	DP34	985	3/4	4706
.31/12.5	.32/11.6	.33/10.8	.32/10.0	.30/9.8	-	-	-	-	-	1812		1030	3/4	4921
3226	3022	2785	2507	2168	1715	-	-	-	-	1813		1075	3/4	5136
.37/13.4	.38/12.7	.38/11.8	.38/11.1	.37/11.0	.34/10.8	-	-	-	-	1814		1120	1	5351
3397	3204	2986	2729	2437	2061	-	-	-	-	1815		1165	1	5566
.43/14.3	.44/13.6	.45/13.0	.45/12.3	.44/11.5	.42/11.3	-	-	-	-	1816		1210	1-1/2	5781
3568	3385	3183	2944	2681	2358	1965	-	-	-	1817		1255	1-1/2	5996
.50/15.5	.51/14.7	.52/14.0	.52/13.4	.51/12.9	.50/12.8	.46/12.6	-	-	-	1818		1300	1-1/2	6211
3739	3564	3375	3155	2912	2635	2288	1676	-	-	1819		1345	1-1/2	6426
.58/16.7	.59/16.0	.60/15.3	.60/14.6	.59/14.0	.58/13.5	.56/13.3	.47/13.1	-	-	1820		1390	2	6641
3910	3743	3565	3361	3135	2886	2585	2235	-	-	1821	DP36	1435	2	6856
.66/17.9	.67/17.2	.68/16.6	.68/15.9	.68/15.3	.67/14.7	.65/14.4	.62/14.1	-	-	1822		1480	2	7071
4080	3922	3752	3563	3351	3123	2863	2544	2167	-	1823		1525	2	7286
.75/19.1	.76/18.5	.77/17.8	.78/17.2	.77/16.6	.77/16.0	.76/15.5	.73/15.3	.68/15.1	-	1824		1570	2	7501
4251	4099	3938	3762	3562	3350	3117	2840	2524	-	1825		1615	2	7716
.85/21	.86/19.8	.87/19.1	.88/18.6	.88/18.0	.87/17.4	.86/16.9	.84/16.5	.81/16.1	-	1826		1660	2	7931
4422	4276	4123	3957	3770	3570	3356	3115	2824	-	1827		1705	2	8146
.95/22	.97/21	.98/21	.99/19.9	.99/19.3	.98/18.8	.98/18.2	.96/17.7	.93/17.3	-	1828		1750	2	8361
4593	4452	4306	4149	3975	3784	3585	3368	3116	2508	1829		1795	2	8576
1.07/23	1.08/23	1.10/22	1.10/21	1.11/21	1.10/20	1.10/19.6	1.09/19.1	1.07/18.7	.99/18.5	1830		1840	2	8791
4764	4628	4488	4339	4176	3995	3808	3607	3386	2841	1831	DP37	1885	2	9006
1.19/25	1.21/24	1.22/23	1.23/23	1.23/22	1.23/22	1.23/21	1.22/21	1.21/20	1.14/19.7	1832		1930	2	9221
4935	4804	4669	4527	4373	4204	4025	3837	3635	3140	1833		1975	2	9436
1.32/26	1.34/25	1.36/25	1.37/24	1.37/24	1.37/23	1.37/23	1.36/22	1.35/22	1.29/21	1834		2020	2	9651
5105	4979	4849	4713	4569	4408	4237	4061	3873	3434	1835		2065	2	9866
1.47/28	1.48/27	1.50/26	1.51/26	1.52/25	1.52/25	1.52/24	1.51/24	1.50/23	1.46/22	1836		2110	2	10081
5276	5154	5029	4898	4761	4610	4447	4279	4104	3709	1837		2155	2	10296
1.62/29	1.64/29	1.65/28	1.67/27	1.67/27	1.68/26	1.68/26	1.67/25	1.67/25	1.63/24	1838		2200	2	10511
5447	5329	5208	5082	4951	4809	4655	4493	4327	3964	1839		2245	2	10726
1.78/31	1.80/30	1.82/30	1.83/29	1.84/28	1.84/28	1.85/27	1.84/27	1.84/26	1.81/25	1840		2290	2	10941
5618	5504	5386	5265	5139	5005	4859	4704	4546	4206	1841	2335	2	11156	
1.95/32	1.97/32	1.99/31	2.01/31	2.02/30	2.02/29	2.02/29	2.02/28	2.02/28	2.00/27	1842	2380	2	11371	

Power Ratings (BHP) does not include drive losses.
 Performance certified is for installation type A - free inlet, free outlet.
 Performance ratings include the effects of birdscreen in the airstream.
 The sound ratings shown are loudness values in fan sones @ 5' (1.5m) in a hemispherical free field calculated per AMCA Standard 301. Values shown are for: Installation Type A: free inlet hemispherical sone levels.

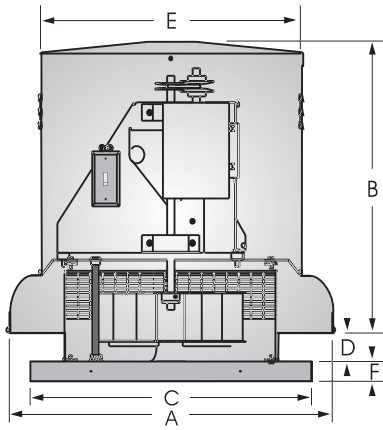


JencoFan Ventilation Systems, LLC., Div. of Soler & Palau Ventilation Group, certifies that the Models DB shown herein are licensed to bear the AMCA Seal. The ratings shown are based on test and procedures performed in accordance with AMCA Publication 211 and AMCA Publication 311 and comply with the requirement of the AMCA Certified Ratings Program.





SIZE 20



Dimensional Data										
Damper OD	Roof Opening	Curb OD	A	B	C	D	E	F	Fan Wt	Ship Wt
24	24-3/4	27-3/4	36-3/4	24-1/2	29-1/2	4-1/2	26-1/4	2-1/2	98	215

CFM / BHP @ Static Pressure / Sones											Drive Range	RPM	HP	Tip Speed	
0	1/8	1/4	3/8	1/2	5/8	3/4	7/8	1	1-1/4	Catalog Number					
2357 .09/5.4	1936 .10/3.9	1151 .09/3.7	-	-	-	-	-	-	-	2001	DP40	DP38	440	1/4	2460
2571 .12/6.2	2200 .13/4.8	1617 .12/4.6	-	-	-	-	-	-	-	2002			480	1/4	2683
2785 .15/7.0	2455 .16/5.8	1982 .16/5.1	1098 .13/4.7	-	-	-	-	-	-	2003	DP41	DP39	520	1/4	2907
3000 .19/7.9	2701 .20/7.0	2302 .21/6.2	1681 .19/5.9	-	-	-	-	-	-	2004			600	1/4	3130
3214 .23/9.1	2939 .25/8.2	2586 .25/7.3	2098 .25/6.9	1259 .20/6.0	-	-	-	-	-	2005	DP42	DP40	635	1/3	3550
3401 .28/9.7	3144 .29/8.8	2822 .30/8.2	2412 .30/7.5	1799 .27/7.2	-	-	-	-	-	2006			665	1/3	3717
3562 .32/10.2	3318 .33/9.4	3021 .34/8.7	2658 .35/8.2	2145 .33/8.3	1281 .26/7.8	-	-	-	-	2007	DP43	DP41	700	1/2	3913
3750 .37/10.8	3520 .38/10.1	3248 .40/9.4	2923 .40/9.0	2490 .39/8.5	1880 .35/8.2	-	-	-	-	2008			730	1/2	4081
3910 .42/11.6	3691 .43/10.6	3438 .45/10.0	3134 .46/9.6	2757 .45/9.2	2251 .42/8.9	1438 .35/8.7	-	-	-	2009	DP44	DP43	760	1/2	4248
4071 .47/12.3	3861 .49/11.2	3625 .51/10.7	3338 .51/10.2	3007 .52/9.9	2567 .50/9.5	1963 .45/9.3	-	-	-	2010			800	3/4	4472
4285 .55/13.2	4087 .57/12.3	3868 .59/11.7	3604 .60/11.2	3315 .60/10.9	2942 .59/10.5	2469 .56/10.4	1784 .49/10.3	-	-	2011	DP44	DP43	840	3/4	4696
4500 .64/14.1	4311 .66/13.4	4106 .67/13.0	3866 .69/12.5	3599 .70/12.0	3283 .70/11.6	2886 .67/11.3	2379 .62/11.1	1594 .52/10.8	-	2012			875	3/4	4891
4687 .72/14.9	4506 .74/14.4	4312 .76/13.9	4091 .78/13.5	3838 .79/13.2	3560 .79/12.7	3210 .78/12.4	2787 .74/12.3	2229 .68/10.9	-	2013	DP44	DP43	915	1	5115
4901 .82/16.2	4729 .84/15.7	4546 .86/15.2	4341 .88/14.7	4104 .90/14.3	3854 .90/14.0	3553 .90/13.6	3191 .88/13.4	2751 .83/12.9	-	2014			950	1	5311
5089 .92/17.3	4923 .94/16.8	4748 .96/16.4	4557 .98/15.9	4335 1.00/15.5	4098 1.01/15.1	3834 1.01/14.7	3511 1.00/14.4	3133 .96/13.9	2017 .80/13.0	2015	DP44	DP43	985	1	5506
5276 1.03/18.4	5117 1.05/17.9	4949 1.07/17.5	4768 1.09/17.1	4562 1.11/16.7	4336 1.12/16.3	4098 1.12/15.9	3811 1.12/15.5	3476 1.10/15.4	2589 .98/15.1	2016			1030	1-1/2	5758
5517 1.17/19.9	5365 1.20/19.4	5206 1.22/19.0	5036 1.24/18.5	4847 1.26/18.1	4634 1.28/17.8	4416 1.28/17.4	4171 1.28/17.1	3879 1.28/16.8	3156 1.19/16.7	2017	DP44	DP43	1065	1-1/2	5953
5705 1.30/21	5558 1.32/21	5405 1.35/20	5242 1.37/19.8	5065 1.39/19.4	4865 1.41/19.0	4655 1.42/18.6	4434 1.42/18.3	4173 1.42/18.0	3532 1.36/17.8	2018			1100	1-1/2	6149
5892 1.43/22	5750 1.45/22	5602 1.48/22	5447 1.50/21	5280 1.53/21	5092 1.55/20	4889 1.56/19.9	4683 1.56/19.5	4451 1.56/19.2	3874 1.53/19.1	2019	DP44	DP43	1140	2	6373
6107 1.59/24	5970 1.62/24	5828 1.64/23	5679 1.67/23	5521 1.69/22	5346 1.71/22	5154 1.73/21	4985 1.74/21	4751 1.74/21	4236 1.73/20	2020			1175	2	6568
6294 1.74/25	6161 1.77/25	6024 1.80/24	5881 1.82/24	5730 1.85/24	5566 1.87/23	5384 1.89/23	5194 1.90/22	4999 1.91/22	4535 1.90/21	2021	DP44	DP43	1210	2	6764
6482 1.90/27	6353 1.93/26	6220 1.96/26	6082 1.98/25	5937 2.01/25	5782 2.04/25	5610 2.06/24	5426 2.07/24	5241 2.08/24	4821 2.08/24	2022					

Power Ratings (BHP) does not include drive losses.
Performance certified is for installation type A - free inlet, free outlet.
Performance ratings include the effects of birdscreen in the airstream.
The sound ratings shown are loudness values in fan sones @ 5' (1.5m) in a hemispherical free field calculated per AMCA Standard 301. Values shown are for Installation Type A: free inlet hemispherical sone levels.



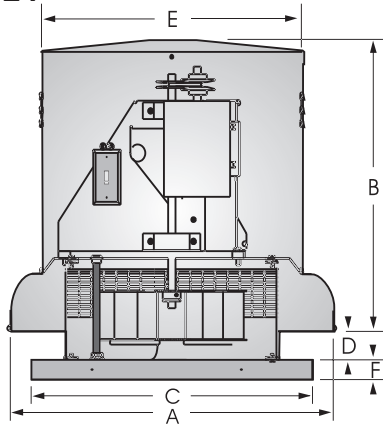
JencoFan Ventilation Systems, LLC., Div. of Soler & Palau Ventilation Group, certifies that the Models DB shown herein are licensed to bear the AMCA Seal. The ratings shown are based on test and procedures performed in accordance with AMCA Publication 211 and AMCA Publication 311 and comply with the requirement of the AMCA Certified Ratings Program.





MODEL DB
BELT DRIVE CENTRIFUGAL ROOF EXHAUSTER

SIZE 24



Dimensional Data										
Damper OD	Roof Opening	Curb OD	A	B	C	D	E	F	Fan Wt	Ship Wt
30	30-3/4	33-3/4	41-1/4	26-1/2	35-3/4	8-1/2	30	2-1/2	155	290

CFM / BHP @ Static Pressure / Sones											Drive Range	RPM	HP	Tip Speed	
0	1/8	1/4	3/8	1/2	5/8	3/4	7/8	1	1-1/4	Catalog Number					
3286	2405	-	-	-	-	-	-	-	-	2401	DP45	330	1/4	2102	
.09/5.1	.10/3.9	-	-	-	-	-	-	-	-	2402		365	1/4	2325	
3634	2914	-	-	-	-	-	-	-	-	2403		400	1/4	2548	
.12/6.1	.14/5.2	-	-	-	-	-	-	-	-	2404		450	1/4	2867	
3983	3364	1948	-	-	-	-	-	-	-	2405		DP46	470	1/3	2994
.16/7.2	.18/6.6	.15/4.8	-	-	-	-	-	-	-	2406			490	1/3	3121
4480	3949	3090	-	-	-	-	-	-	-	2407		DP47	540	1/2	3440
.23/9.0	.25/8.4	.25/6.9	-	-	-	-	-	-	-	2408			560	1/2	3567
4680	4176	3453	1852	-	-	-	-	-	-	2409		DP48	590	3/4	3758
.26/9.7	.28/9.2	.29/7.8	.22/6.8	-	-	-	-	-	-	2410			610	3/4	3886
4879	4400	3751	2388	-	-	-	-	-	-	2411	DP49	645	3/4	4109	
.30/10.2	.32/9.7	.33/8.6	.27/7.3	-	-	-	-	-	-	2412		680	1	4332	
5376	4952	4436	3483	2055	-	-	-	-	-	2413	DP50	710	1	4523	
.40/11.7	.42/11.3	.44/10.8	.41/9.0	.32/8.6	-	-	-	-	-	2414		750	1-1/2	4778	
5576	5169	4688	3972	2614	-	-	-	-	-	2415	DP51	785	1-1/2	5000	
.44/12.4	.47/11.9	.49/11.5	.48/9.8	.40/8.8	-	-	-	-	-	2416		820	1-1/2	5223	
5874	5493	5048	4447	3296	1791	-	-	-	-	2417	DP52	855	2	5446	
.52/13.4	.55/12.9	.57/12.5	.57/11.2	.50/9.9	.38/9.8	-	-	-	-	2418		900	2	5733	
6073	5706	5282	4735	3702	2487	-	-	-	-	2419	DP52	925	3	5892	
.57/14.2	.60/13.5	.63/13.2	.63/12.1	.57/10.6	.48/10.8	-	-	-	-	2420		960	3	6115	
6422	6078	5683	5219	4557	3374	1906	-	-	-	2421	DP52	980	3	6243	
.68/15.6	.71/14.9	.74/14.3	.75/13.8	.73/12.2	.63/11.3	.49/11.1	-	-	-	2422		1000	3	6370	
6770	6447	6077	5670	5117	4097	3051	-	-	-	2417					
.80/17.0	.83/16.4	.86/15.9	.88/15.3	.87/14.0	.79/13.1	.70/12.4	-	-	-	2413					
7069	6761	6412	6033	5549	4848	3773	2570	-	-	2417					
.91/18.3	.94/17.7	.97/17.2	.99/16.7	1.00/15.5	.96/14.6	.85/14.0	.72/13.8	-	-	2414					
7467	7177	6854	6502	6096	5566	4594	3685	2423	-	2414					
1.07/20	1.10/19.5	1.14/19.0	1.16/18.5	1.18/17.9	1.17/16.7	1.07/16.0	.97/15.4	.80/15.3	-	2415					
7816	7540	7235	6904	6545	6077	5479	4451	3518	-	2415					
1.22/22	1.26/21	1.30/21	1.33/20	1.35/19.7	1.35/18.6	1.32/17.8	1.18/17.2	1.07/16.6	-	2416					
8164	7902	7613	7299	6968	6567	6073	5180	4360	-	2416					
1.40/23	1.43/23	1.47/22	1.51/22	1.53/21	1.54/21	1.53/19.7	1.42/19.0	1.31/18.4	-	2417					
8513	8262	7988	7691	7380	7029	6587	6059	5077	3286	2417					
1.58/25	1.62/24	1.66/24	1.70/24	1.73/23	1.74/23	1.74/22	1.71/21	1.56/20	1.29/20	2418					
8961	8723	8467	8190	7899	7590	7218	6775	6180	4490	2419					
1.85/27	1.89/27	1.93/26	1.97/26	2.00/26	2.03/25	2.04/24	2.02/24	1.97/23	1.69/22	2419					
9210	8979	8731	8464	8182	7888	7550	7136	6665	5053	2420					
2.00/28	2.05/28	2.09/28	2.13/27	2.17/27	2.19/27	2.21/26	2.20/25	2.18/25	1.91/23	2420					
9558	9337	9099	8846	8576	8299	7998	7631	7211	5760	2421					
2.24/30	2.28/30	2.33/29	2.37/29	2.41/28	2.44/28	2.47/28	2.47/27	2.46/26	2.22/25	2421					
9757	9541	9309	9062	8800	8530	8243	7902	7503	6189	2422					
2.38/31	2.43/30	2.47/30	2.52/30	2.56/29	2.59/29	2.62/29	2.63/28	2.62/27	2.42/26	2422					
9956	9744	9518	9278	9023	8760	8483	8166	7789	6753	2422					
2.53/31	2.58/31	2.63/31	2.67/30	2.71/30	2.75/30	2.78/30	2.79/29	2.79/28	2.67/27	2422					

Power Ratings (BHP) does not include drive losses.
 Performance certified is for installation type A - free inlet, free outlet.
 Performance ratings include the effects of birdscreen in the airstream.
 The sound ratings shown are loudness values in fan sones @ 5' (1.5m) in a hemispherical free field calculated per AMCA Standard 301. Values shown are for: Installation Type A: free inlet hemispherical sone levels.

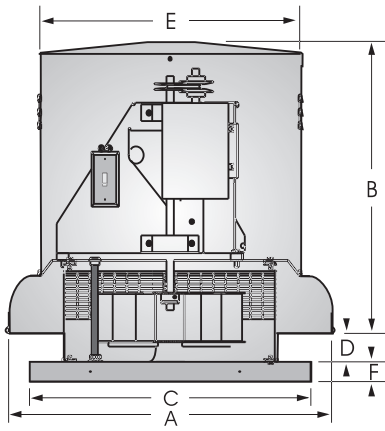


JencoFan Ventilation Systems, LLC., Div. of Soler & Palau Ventilation Group, certifies that the Models DB shown herein are licensed to bear the AMCA Seal. The ratings shown are based on test and procedures performed in accordance with AMCA Publication 211 and AMCA Publication 311 and comply with the requirement of the AMCA Certified Ratings Program.





SIZE 30



Dimensional Data										
Damper OD	Roof Opening	Curb OD	A	B	C	D	E	F	Fan Wt	Ship Wt
36	37-1/4	40-3/4	58-3/8	37	42-1/2	5-1/2	41	2-1/2	265	465

CFM / BHP @ Static Pressure / Sones											Drive Range	RPM	HP	Tip Speed
0	1/8	1/4	3/8	1/2	5/8	3/4	7/8	1	1-1/4	Catalog Number				
4068 .09/2.7	2456 .09/2.5	-	-	-	-	-	-	-	-	3001	DP53	235	1/3	1871
4588 .13/3.4	3300 .14/3.2	-	-	-	-	-	-	-	-	3002		265	1/3	2110
5107 .18/4.2	4015 .19/3.6	1930 .15/3.4	-	-	-	-	-	-	-	3003		295	1/3	2349
5626 .24/5.0	4681 .26/4.1	3220 .24/3.6	-	-	-	-	-	-	-	3004		325	1/3	2588
6146 .32/5.8	5311 .34/4.7	4149 .33/5.0	-	-	-	-	-	-	-	3005		355	1/3	2827
6665 .40/6.6	5916 .43/5.3	4921 .43/6.2	3455 .38/6.1	-	-	-	-	-	-	3006		385	1/2	3066
7098 .49/7.3	6406 .51/5.9	5512 .52/6.6	4350 .49/6.4	2246 .38/6.8	-	-	-	-	-	3007		410	1/2	3265
7531 .58/8.1	6888 .61/6.7	6081 .62/7.1	5087 .60/7.0	3601 .53/6.9	-	-	-	-	-	3008		435	3/4	3464
8050 .71/9.1	7456 .74/7.6	6735 .76/7.7	5866 .75/8.5	4743 .71/8.2	2961 .59/8.1	-	-	-	-	3009		465	3/4	3703
8483 .83/9.8	7925 .86/8.4	7262 .89/8.2	6468 .89/8.9	5528 .85/8.8	4179 .77/8.0	-	-	-	-	3010		DP57	490	1
8916 .97/10.6	8388 1.00/9.2	7775 1.03/8.7	7047 1.03/9.4	6215 1.01/9.2	5132 .95/8.6	3571 .82/8.8	-	-	-	3011	515		1	4101
9608 1.21/12.0	9124 1.25/10.6	8574 1.30/9.5	7937 1.30/10.2	7213 1.28/11.0	6385 1.25/9.0	5286 1.17/8.9	3788 1.02/8.7	-	-	3012	555		1-1/2	4419
10214 1.46/13.2	9761 1.49/11.7	9257 1.55/10.6	8683 1.55/11.0	8030 1.55/11.7	7315 1.53/12.6	6472 1.48/12.4	5352 1.38/12.2	3860 1.21/21.6	-	3013	590		1-1/2	4698
10820 1.73/14.5	10395 1.77/13.1	9928 1.84/11.8	9405 1.84/11.7	8817 1.85/12.6	8171 1.84/13.3	7460 1.80/13.0	6604 1.74/12.8	5497 1.62/12.7	-	3014	625		2	4977
11339 1.99/15.6	10936 2.03/14.2	10496 2.07/13.1	10010 2.10/12.6	9469 2.13/13.2	8871 2.12/14.0	8231 2.10/14.8	7507 2.05/14.6	6617 196/14.0	4024 1.61/13.8	3015	655		2	5215
11859 2.28/16.7	11474 2.32/15.4	11058 2.36/14.3	10605 2.40/13.4	10104 2.43/14.0	9552 2.43/14.7	8960 2.42/15.4	8319 2.38/15.1	7584 2.32/14.7	5573 2.07/14.5	3016	685		3	5454
12378 2.59/17.9	12011 2.64/16.5	11617 2.68/15.4	11190 2.72/14.4	10724 2.75/14.8	10213 2.77/15.4	9660 2.76/16.1	9076 2.73/16.9	8434 2.69/16.8	6767 2.49/17.9	3017	715		3	5693
12897 2.93/19.1	12546 2.98/17.9	12171 3.02/16.7	11768 3.06/15.7	11332 3.10/15.6	10857 3.13/16.2	10343 3.13/16.9	9798 3.11/17.6	9220 3.07/18.5	7827 2.93/19.4	3018	745		3	5932
13330 3.24/20	12991 3.29/18.9	12630 3.33/17.8	12245 3.37/16.8	11831 3.41/16.4	11383 3.45/16.9	10899 3.46/17.6	10381 3.45/18.3	9841 3.42/19.1	8602 3.31/19.8	3019	770		5	6131
13936 3.70/22	13612 3.75/20	13270 3.80/19.4	12907 3.84/18.3	12520 3.88/17.4	12104 3.92/18.0	11657 3.95/18.6	11179 3.95/19.3	10676 3.93/19.9	9580 3.84/21	3020	805	5	6410	
14542 4.20/23	14232 4.26/22	13907 4.31/21	13563 4.35/19.9	13199 4.40/19.0	12811 4.44/19.1	12396 4.48/19.6	11954 4.49/20	11485 4.48/21	10487 4.41/22	3021	840	5	6689	
15148 4.75/24	14851 4.81/23	14540 4.86/22	14214 4.91/22	13871 4.96/21	13507 5.00/20	13120 5.04/21	12709 5.07/21	12273 5.08/22	11344 5.03/23	3022	875	5	6967	

Power Ratings (BHP) does not include drive losses.
Performance certified is for installation type A - free inlet, free outlet.
Performance ratings include the effects of birdscreen in the airstream.
The sound ratings shown are loudness values in fan sones @ 5' (1.5m) in a hemispherical free field calculated per AMCA Standard 301. Values shown are for: Installation Type A: free inlet hemispherical sone levels.



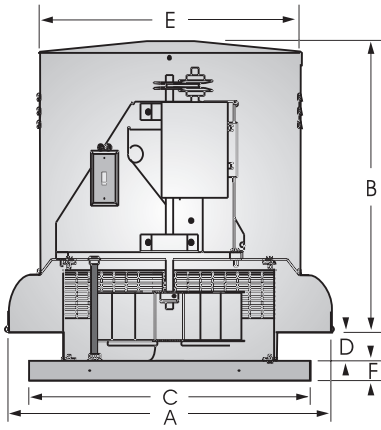
JencoFan Ventilation Systems, LLC., Div. of Soler & Palau Ventilation Group, certifies that the Models DB shown herein are licensed to bear the AMCA Seal. The ratings shown are based on test and procedures performed in accordance with AMCA Publication 211 and AMCA Publication 311 and comply with the requirement of the AMCA Certified Ratings Program.





MODEL DB
BELT DRIVE CENTRIFUGAL ROOF EXHAUSTER

SIZE 36



Dimensional Data										
Damper OD	Roof Opening	Curb OD	A	B	C	D	E	F	Fan Wt	Ship Wt
36	37-1/4	40-3/4	58-3/8	37	42-1/2	10	41	2-1/2	275	475

CFM / BHP @ Static Pressure / Sones										Catalog Number	Drive Range	RPM	HP	Tip Speed		
0	1/8	1/4	3/8	1/2	5/8	3/4	7/8	1	1-1/4							
5995	3550	-	-	-	-	-	-	-	-	3601	DP61	210	1/2	1945		
.16/3.9	.14/3.0	-	-	-	-	-	-	-	-	3602		235	1/2	2177		
6708	4887	-	-	-	-	-	-	-	-	3603		260	1/2	2408		
.22/4.9	.22/4.1	-	-	-	-	-	-	-	-	3604		285	1/2	2640		
7422	5964	-	-	-	-	-	-	-	-	3605		DP62	310	1/2	2871	
.30/5.9	.31/5.2	-	-	-	-	-	-	-	-	3606			330	3/4	3057	
8136	6868	4443	-	-	-	-	-	-	-	3607		DP63	355	3/4	3288	
.40/7.0	.42/6.4	.35/5.6	-	-	-	-	-	-	-	3608			370	1	3427	
8849	7708	5686	-	-	-	-	-	-	-	3609			DP64	385	1	3566
.51/8.2	.53/7.7	.48/6.8	-	-	-	-	-	-	-	3610		400		1-1/2	3705	
9420	8361	6793	4157	-	-	-	-	-	-	3611		DP65		415	1-1/2	3844
.62/9.2	.64/8.8	.62/8.0	.49/7.1	-	-	-	-	-	-	3612				430	1-1/2	3983
10134	9166	7936	5730	-	-	-	-	-	-	3613		DP66	445	1-1/2	4122	
.77/10.1	.80/9.7	.80/9.1	.68/8.3	-	-	-	-	-	-	3614			470	2	4353	
10562	9646	8521	6450	3321	-	-	-	-	-	3615			DP67	490	2	4539
.87/10.7	.90/10.3	.91/9.7	.80/8.9	.57/8.8	-	-	-	-	-	3616		510		3	4724	
10990	10122	9075	7268	5137	-	-	-	-	-	3617	535	3		4955		
.98/11.3	1.02/10.8	1.02/10.3	.94/9.7	.80/9.0	-	-	-	-	-	3618	560	3		5187		
11418	10593	9607	8102	6133	-	-	-	-	-	3619	DP67	580	5	5372		
1.10/11.9	1.14/11.4	1.15/10.9	1.09/10.3	.96/9.7	-	-	-	-	-	3620		620	5	5742		
11846	11060	10120	8852	6860	3994	-	-	-	-	3621	640	5	5928			
1.23/12.6	1.27/12.0	1.28/11.6	1.25/10.9	1.10/10.4	.84/10.2	-	-	-	-	3622	660	5	6113			
12275	11524	10623	9521	7583	5709	-	-	-	-							
1.37/13.3	1.41/12.8	1.43/12.2	1.41/11.6	1.26/11.1	1.11/10.5	-	-	-	-							
12703	11985	11118	10124	8417	6731	-	-	-	-							
1.52/14.3	1.56/13.6	1.58/13.0	1.57/12.4	1.45/11.8	1.31/11.3	-	-	-	-							
13416	12747	11931	11059	9774	7958	6170	-	-	-							
1.79/15.5	1.83/15.0	1.86/14.6	1.86/14.0	1.79/13.3	1.62/12.7	1.44/12.2	-	-	-							
13987	13351	12574	11770	10712	8982	7516	4507	-	-							
2.03/16.7	2.08/16.2	2.10/15.7	2.11/15.2	2.08/14.6	1.90/14.1	1.76/13.5	1.34/13.2	-	-							
14558	13953	13218	12453	11540	10114	8485	6849	-	-							
2.29/17.9	2.34/17.4	2.37/17.0	2.38/16.5	2.37/15.9	2.23/15.2	2.05/14.7	1.86/14.2	-	-							
15272	14701	14015	13287	12489	11391	9739	8401	6406	-							
2.64/19.4	2.69/18.9	2.73/18.5	2.74/18.1	2.74/17.6	2.67/17.0	2.47/16.4	2.32/15.8	2.03/15.6	-							
15986	15445	14803	14106	13387	12494	11151	9603	8338	-							
3.03/21	3.09/21	3.12/20	3.14/19.7	3.15/19.3	3.12/18.7	2.96/18.2	2.75/17.6	2.59/17.1	-							
16556	16038	15427	14754	14078	13283	12187	10640	9371	-							
3.36/22	3.42/22	3.47/22	3.49/21	3.50/21	3.49/20	3.38/19.5	3.15/19.0	2.99/18.5	-							
17698	17218	16663	16040	15416	14752	13951	12842	11372	8936							
4.11/25	4.17/25	4.22/24	4.25/24	4.27/24	4.28/23	4.25/23	4.10/22	3.85/21	3.47/20							
18269	17806	17275	16680	16072	15450	14727	13803	12509	10068							
4.52/26	4.59/26	4.64/26	4.67/25	4.69/25	4.70/25	4.69/24	4.60/24	4.37/23	3.97/22							
18840	18393	17884	17315	16722	16130	15470	14678	13586	11030							
4.96/28	5.03/27	5.08/27	5.12/27	5.14/27	5.16/26	5.15/26	5.11/25	4.93/25	4.46/23							

Power Ratings (BHP) does not include drive losses.
 Performance certified is for installation type A - free inlet, free outlet.
 Performance ratings include the effects of birdscreen in the airstream.
 The sound ratings shown are loudness values in fan sones @ 5' (1.5m) in a hemispherical free field calculated per AMCA Standard 301. Values shown are for: Installation Type A: free inlet hemispherical sone levels.



JencoFan Ventilation Systems, LLC., Div. of Soler & Palau Ventilation Group, certifies that the Models DB shown herein are licensed to bear the AMCA Seal. The ratings shown are based on test and procedures performed in accordance with AMCA Publication 211 and AMCA Publication 311 and comply with the requirement of the AMCA Certified Ratings Program.

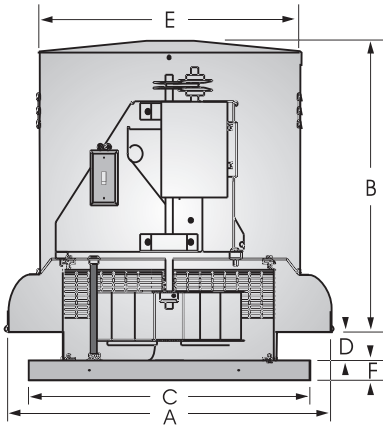




MODEL DB
BELT DRIVE CENTRIFUGAL ROOF EXHAUSTER

JencoFan

SIZE 42



Dimensional Data										
Damper OD	Roof Opening	Curb OD	A	B	C	D	E	F	Fan Wt	Ship Wt
48	50-1/4	53-1/4	73	40-1/2	55	10	54-5/8	2-1/2	425	700

CFM / BHP @ Static Pressure / Sones											Drive Range	RPM	HP	Tip Speed
0	1/8	1/4	3/8	1/2	5/8	3/4	7/8	1	1-1/4	Catalog Number				
8498 .22/4.8	4889 .20/4.4	-	-	-	-	-	-	-	-	4201	DP68	180	1/2	1966
9206 .28/5.5	6287 .28/5.1	-	-	-	-	-	-	-	-	4202		195	1/2	2129
9914 .35/6.3	7461 .36/5.9	-	-	-	-	-	-	-	-	4203	DP69	210	1/2	2293
10622 .43/7.1	8475 .45/6.8	-	-	-	-	-	-	-	-	4204		225	1/2	2457
11330 .52/7.9	9396 .55/7.6	4910 .40/7.4	-	-	-	-	-	-	-	4205	DP70	240	1/2	2621
12275 .66/9.0	10579 .70/8.8	7451 .62/8.6	-	-	-	-	-	-	-	4206		260	3/4	2839
12983 .78/9.8	11450 .83/9.5	8825 .78/9.2	-	-	-	-	-	-	-	4207	DP71	275	3/4	3003
13691 .92/10.5	12288 .97/10.2	10034 .94/9.9	4980 .63/9.8	-	-	-	-	-	-	4208		290	1	3167
14399 1.07/11.4	13101 1.12/11.0	11116 1.12/10.7	7740 .95/10.5	-	-	-	-	-	-	4209	DP72	305	1	3331
15343 1.29/12.7	14142 1.35/12.3	12411 1.36/11.9	9744 1.25/11.7	-	-	-	-	-	-	4210		325	1-1/2	3549
16051 1.48/13.6	14909 1.54/13.2	13323 1.56/12.9	11079 1.48/12.6	7073 1.16/12.6	-	-	-	-	-	4211	DP73	340	1-1/2	3713
16760 1.68/14.6	15670 1.75/14.3	14209 1.78/13.9	12276 1.73/13.6	9251 1.51/13.5	-	-	-	-	-	4212		355	2	3877
17468 1.91/15.7	16424 1.97/15.4	15097 2.01/15.1	13368 1.99/14.7	10756 1.81/14.6	-	-	-	-	-	4213	DP74	370	2	4040
17940 2.07/16.4	16925 2.13/16.0	15681 2.18/15.8	14051 2.17/15.5	11690 2.02/15.4	7879 1.61/15.3	-	-	-	-	4214		380	2	4150
18884 2.41/17.7	17921 2.47/17.5	16818 2.54/17.2	15321 2.54/16.9	13399 2.44/16.7	10674 2.19/16.6	-	-	-	-	4215	DP75	400	3	4368
20064 2.89/19.6	19158 2.96/19.4	18187 3.04/19.1	16827 3.05/18.9	15279 3.01/18.6	13084 2.82/18.5	10122 2.46/18.5	-	-	-	4216		425	3	4641
20536 3.10/20	19650 3.17/20	18722 3.26/19.9	17415 3.27/19.7	15970 3.25/19.4	13969 3.08/19.3	11354 2.79/19.2	-	-	-	4217	DP76	435	5	4750
21245 3.43/22	20388 3.50/21	19503 3.59/21	18303 3.62/21	16950 3.61/21	15203 3.49/21	12874 3.23/20	9401 2.69/20	-	-	4218		450	5	4914
21953 3.78/23	21123 3.85/23	20276 3.95/22	19182 4.00/22	17883 3.99/22	16350 3.91/22	14281 3.69/22	11720 3.34/22	-	-	4219	DP77	465	5	5078
22897 4.29/24	22101 4.36/24	21297 4.47/24	20323 4.53/24	19089 4.53/24	17764 4.50/24	16014 4.33/23	13804 4.04/23	10779 3.51/23	-	4220		485	5	5296
23605 4.71/26	22832 4.78/26	22057 4.88/25	21158 4.96/25	19975 4.96/25	18753 4.95/25	17204 4.82/25	15217 4.57/25	12857 4.20/25	-	4221	DP78	500	5	5460
23841 4.85/26	23076 4.92/26	22309 5.02/26	21432 5.11/26	20267 5.11/25	19070 5.11/25	17584 4.99/25	15675 4.75/25	13399 4.40/25	-	4222		505	5	5515

Power Ratings (BHP) does not include drive losses.
Performance certified is for installation type A - free inlet, free outlet.
Performance ratings include the effects of birdscreen in the airstream.
The sound ratings shown are loudness values in fan sones @ 5' (1.5m) in a hemispherical free field calculated per AMCA Standard 301. Values shown are for: Installation Type A: free inlet hemispherical sone levels



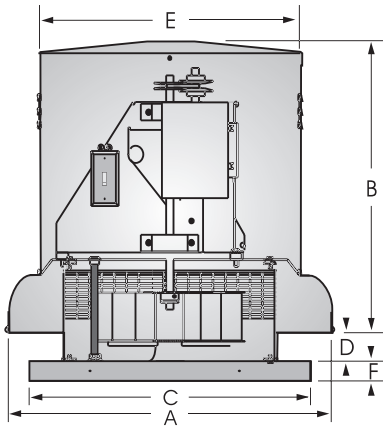
JencoFan Ventilation Systems, LLC., Div. of Soler & Palau Ventilation Group, certifies that the Models DB shown herein are licensed to bear the AMCA Seal. The ratings shown are based on test and procedures performed in accordance with AMCA Publication 211 and AMCA Publication 311 and comply with the requirement of the AMCA Certified Ratings Program.





MODEL DB
BELT DRIVE CENTRIFUGAL ROOF EXHAUSTER

SIZE 48



Dimensional Data										
Damper OD	Roof Opening	Curb OD	A	B	C	D	E	F	Fan Wt	Ship Wt
48	50-1/4	53-1/4	73	40-1/2	55	13	54-5/8	2-1/2	550	830

CFM / BHP @ Static Pressure / Sones											Drive Range	RPM	HP	Tip Speed
0	1/8	1/4	3/8	1/2	5/8	3/4	7/8	1	1-1/4	Catalog Number				
9953	5916									4801	DP75	165	1/2	2037
0.34/4.5	0.29/4.5											175	1/2	2161
10557	6969									4802	DP76	190	1/2	2347
0.41/5.0	0.37/5.0											200	3/4	2470
11462	8336									4803	DP77	220	3/4	2655
0.52/5.9	0.49/5.7											230	1	2841
12065	9166									4804	DP78	240	1	2964
0.61/6.4	0.58/6.3											255	1-1/2	3149
13271	10719	6702								4805	DP79	280	1-1/2	3335
0.81/7.6	0.79/7.5	0.64/7.5										290	2	3582
13875	11459	7978								4806	DP80	305	2	3705
0.93/8.2	0.91/8.1	0.78/8.0										320	3	3952
14478	12182	9095								4807	DP81	325	3	4014
1.06/8.9	1.04/8.8	0.93/8.6										345	3	4261
15383	13243	10571	6153							4808	DP82	365	5	4508
1.27/9.6	1.25/9.6	1.16/9.3	0.9/9.6									375	5	4631
16891	14963	12732	9568							4809	DP82	395	5	4878
1.68/10.9	1.67/10.9	1.59/10.6	1.4/10.8									415	5	5310
17494	15638	13535	10717	6483						4810	DP82	430	7-1/2	5434
1.87/11.4	1.85/11.4	1.78/11.1	1.62/11.2	1.27/11.8								440	7-1/2	5619
18399	16641	14696	12255	8622						4811	DP82	455	7-1/2	5804
2.17/12.2	2.16/12.2	2.1/12.0	1.95/12.1	1.65/12.6								470	7-1/2	5990
19304	17632	15818	13645	10639	6682					4812	DP82			
2.51/13.1	2.5/13.1	2.44/13.0	2.32/12.9	2.06/13.4	1.66/13.7									
19605	17961	16186	14085	11250	7354					4813	DP82			
2.63/13.4	2.62/13.4	2.56/13.4	2.44/13.3	2.21/13.7	1.8/14.1									
20812	19267	17627	15762	13440	10204					4814	DP82			
3.14/14.9	3.14/14.9	3.09/14.9	2.98/14.7	2.79/14.8	2.44/15.3									
22018	20560	19033	17344	15351	12772	9329				4815	DP82			
3.72/16.5	3.72/16.5	3.67/16.5	3.58/16.3	3.42/16.2	3.14/16.6	2.71/17.0								
22622	21204	19726	18109	16240	13902	10767				4816	DP82			
4.03/17.3	4.03/17.3	3.99/17.3	3.9/17.1	3.75/16.9	3.5/17.2	3.09/17.7								
23828	22483	21094	19600	17926	15941	13412	10186			4817	DP82			
4.72/18.9	4.72/18.9	4.68/18.9	4.6/18.8	4.46/18.6	4.25/18.6	3.92/19.0	3.43/19.3							
25034	23755	22443	21051	19525	17782	15680	12999	9847		4818	DP82			
5.47/21	5.47/21	5.44/21	5.36/21	5.24/20	5.06/20	4.79/20	4.37/21	3.83/21						
25939	24705	23445	22117	20682	19077	17201	14891	12003		4819	DP82			
6.08/22	6.09/22	6.06/22	5.99/22	5.88/22	5.71/21	5.47/22	5.11/22	4.6/22						
26543	25337	24108	22820	21438	19909	18154	16042	13404		4820	DP82			
6.52/23	6.52/23	6.49/23	6.43/23	6.32/23	6.16/22	5.94/22	5.61/23	5.14/23						
27447	26282	25097	23864	22551	21121	19514	17637	15351	9773	4821	DP82			
7.21/25	7.21/25	7.19/25	7.13/25	7.03/24	6.88/24	6.67/24	6.38/24	5.98/24	4.83/25					
28352	27224	26081	24896	23645	22297	20809	19114	17107	11869	4822	DP82			
7.94/26	7.95/26	7.93/26	7.87/26	7.78/26	7.64/25	7.45/25	7.19/25	6.83/25	5.73/26					

Power Ratings (BHP) does not include drive losses.
 Performance certified is for installation type A - free inlet, free outlet.
 Performance ratings include the effects of birdscreen in the airstream.
 The sound ratings shown are loudness values in fan sones @ 5' (1.5m) in a hemispherical free field calculated per AMCA Standard 301. Values shown are for: Installation Type A: free inlet hemispherical sone levels



JencoFan Ventilation Systems, LLC., Div. of Soler & Palau Ventilation Group, certifies that the Models DB shown herein are licensed to bear the AMCA Seal. The ratings shown are based on test and procedures performed in accordance with AMCA Publication 211 and AMCA Publication 311 and comply with the requirement of the AMCA Certified Ratings Program.

