

MODEL CM

BELT DRIVEN UTILITY VENT SET

SWSI ARRANGEMENT #10

CLASS 1 CONSTRUCTION



Application

JencoFan's Model CM is available in a full range of sizes (10 through 36) provides airflow performance from 500 CFM to over 21,000 CFM with static pressure up to 5 in. w.g. This single inlet backward inclined utility fan provides substantial benefits for pressure flow, low power consumption and low noise level, ideal for commercial and industrial applications. Typical applications include either supply or exhaust service for ducted systems in schools, theaters, gymnasiums, manufacturing plants, hotels, office buildings, restaurant hoods, and many other general ventilation applications.

The turbine performance, minimizes unnecessary energy losses resulting in a system with high efficiency.

Its design, manufacture and testing guarantee a long operating life with low maintenance. Also having great versatility in arrangements, and available positions with a complete series of mounting accessories for installation and proper operation of equipment for each application.

The mechanical design and construction determines the maximum operating speed and power. The performance ranges shown on the following pages comply with the Class I operating limits as defined in AMCA standard 99.

Type: UTILITY VENT SET

Type of Wheel: Backward Inclined

Rotation: CW and CCW

Sizes: 10, 12, 14, 16, 18, 20, 22, 24, 27, 30, 36

Construction

Housing & Drive Frame Structure

The unit is solidly built, housing joints are welded intervals, this provides greater strength, accuracy on the boards and makes a robust unit, which is an added value.

Wheel

Backward inclined centrifugal wheel is constructed of steel blades protected with a polyester powder coat finish. All wheels are statically and dynamically balanced to ISO 1940 and AMCA 204-G2.5 standards.

Paint

The unit is subjected to a coil coating process, where the steel is treated chemically to ensure the adherence of the polyester paint. Subsequently, powder coating is bonded to the parts through an electrostatic process, where after baking the piece takes on its highest characteristics corrosion resistance, with great adhesion properties and impact resistance.

Shafts and Bearings

Turned, ground and polished allow steel shafts sized so the first critical speed is at least 30% over the maximum operating speed. Standard bearings are heavy-duty, self-aligning pillow block ball bearings with minimum L10 life in excess of 100,000 hours at maximum cataloged operating conditions.

Motors

Heavy-duty ball bearing motors are factory mounted on an adjustable base for ease of service and belt maintenance. Standard motor enclosures are Open Drip Proof (ODP).

Drives

V-belt drives are selected for a minimum safety factor of 150% of the driven horsepower. Cast iron motor pulleys are adjustable for final system balancing and are factory set to the required RPM range. Dual groove v-belt drives are standard for motors 5 HP thru 10 HP.

Temperature

Standard operating temperature range for cULus 705 units is -20°F to 200°F. For fans with cULus 762 construction the range is -20°F to 400°F.

cULus 762 Fan Installation

Model CM is available with the 762 grease listing from UL. The fan will operate with continuous airstream temperatures of 400°F. Per NFPA 96, the fan discharge must be at least 40 inches above the roof line and the duct must be of all welded construction with a minimum distance of 18 inches above the roof line.

Stock units are either CM, cULus705 listed (non-grease) or CM-RHUL, cULus762 listed (restaurant exhaust).

CM - cULus705 units include inlet/L-Flange, weather cover, integral mounting flanges, access door, threaded drain fitting and cULus705 label. CM units have clockwise rotation and top horizontal configuration (CW-TH).

CM-RHUL - cULus762 units include inlet/L-Flange, weather cover, threaded drain fitting, access door, integral mounting flanges and cULus762 label. CM-RHUL units have clockwise rotation and upblast configuration (CW-UB).

AMCA SEAL



JencoFan, Div. of Soler & Palau Ventilation Group, certifies that the Models CM shown herein are licensed to bear the AMCA Seal (except CM 10). The ratings shown are based on test and procedures performed in accordance with AMCA Publication 211 and AMCA Publication 311 and comply with the requirement of the AMCA Certified Ratings Program.



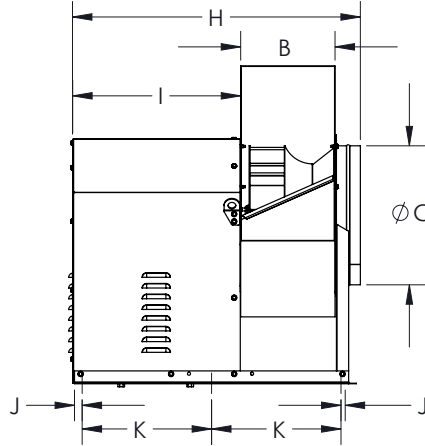
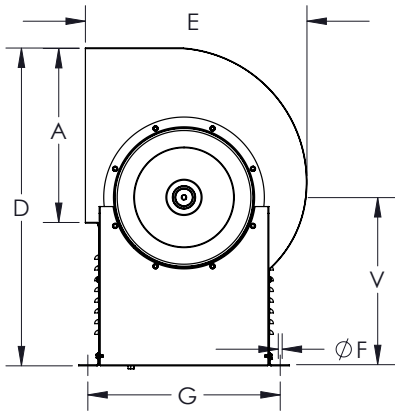
STANDARD 705
STANDARD 762

UTILITY VENT SET CENTRIFUGAL FANS

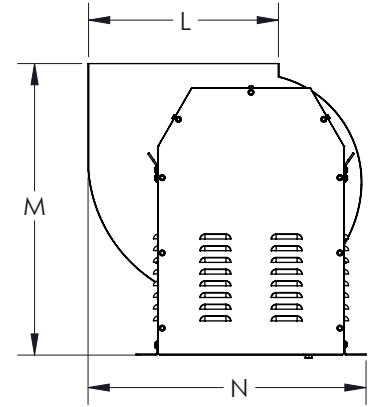
Please refer to the General Catalog or contact the Factory for our Full Line of products available on standard shipping schedules.

Model CM - Discharge Positions

cULus 705 Clockwise Top Horizontal
CW-TH



cULus 762 Clockwise Upblast
CW-UB



Dimensions

Model	A	B	C	D	E	F	G	H	I	J	K
10	12 5/8	7 1/16	9 13/16	23 7/8	17 3/16	1/2	16 7/8	25 3/8	15 1/2	1	10 13/16
12	15 7/8	8 3/4	12 3/8	29 3/16	21 3/8	1/2	19 5/8	28 11/16	17 1/16	1	12 1/2
14	17 7/8	9 3/4	14	32 3/4	22 3/4	1/2	19 5/8	30 3/4	17 13/16	1	13 5/16
16	19 15/16	10 13/16	15 3/4	36 3/4	25 1/4	1/2	21 7/8	31 9/16	17 15/16	1	13 7/8
18	22 3/8	12 1/8	17 11/16	40 7/8	28 7/16	1/2	24 3/4	36 15/16	21 9/16	1	16 5/8
20	25 1/8	13 9/16	19 11/16	44 7/8	31 5/16	1/2	27 7/16	38 7/8	21 9/16	1	17 7/16
22	28 1/8	15 3/16	22 1/16	49 3/8	34 15/16	1/2	29 7/8	40 1/8	21 5/8	1	18 1/4
24	31 1/2	17 1/16	24 13/16	57 1/8	39 1/8	1/2	33 1/4	41 15/16	21 5/8	1	19 1/8
27	35 3/8	18 7/8	27 15/16	59	44	1/2	35 1/8	50 1/8	27 1/8	2	19 13/16
30	39 5/8	21	31 1/2	64	49 1/4	1/2	39 7/16	53 13/16	28 11/16	2	23 5/8
36	44 1/2	23 7/16	35 7/16	71 7/8	55 1/4	1/2	44 5/8	54 15/16	27 5/16	2	24 3/16

Model	L	M	N	V
10	12 3/4	21 5/8	20	13-1/4
12	16	26	24 1/4	15-3/4
14	18	28	25 7/8	17-11/16
16	20	31 1/8	29 1/4	19-11/16
18	22 1/2	34 3/8	32 3/4	21-5/8
20	25 1/4	37 1/2	36 1/8	23-5/8
22	28 1/4	41	40 1/8	25-9/16
24	31 5/8	45 7/8	44 5/8	30-1/4
27	35 1/2	55 5/8	50 5/8	28-3/4
30	39 3/4	62 3/8	57 1/8	30
36	44 3/4	70 1/2	64 3/8	33-1/2

Physical data

Model	Wheel Dia. (in)	Outlet Area (sq. ft.)	Avg. Weight	Shaft Dia.	Max RPM	Max HP	FEG
10	10 1/16	0.625	123	0.75	2998	0.75	-
12	12 11/16	0.97	154	1	2873	2	80
14	14 7/8	1.2	172	1	2672	3	80
16	16	1.49	202	1	2268	3	80
18	17 15/16	1.88	251	1.5	2137	5	80
20	20 3/16	2.33	287	1.5	1823	5	80
22	22 4/16	2.95	389	1.5	1716	7.5	80
24	25 3/16	3.7	465	1.5	1533	10	80
27	28 1/4	4.7	680	1.75	1297	10	80
30	31 7/8	5.76	931	1.75	1093	10	85
36	35 5/8	7.26	1228	2.1875	1061	10	85

UTILITY VENT SET CENTRIFUGAL FANS

Please refer to the General Catalog or contact the Factory for our Full Line of products available on standard shipping schedules.

Model CM - Options and Accessories

Model CM	U-Flange Inlet	Outlet Flange	Inlet Guard	Outlet Guard	Shaft Seal
	Stock #	Stock #	Stock #	Stock #	Stock #
10	101882 ▲	104550 ▲	104656 ▲	104630 ▲	104120 ▲
12	101872 ▲	104551 ▲	104657 ▲	104631 ▲	104150 ▲
14	101873 ▲	104552 ▲	104658 ▲	104632 ▲	104150 ▲
16	101874 ◆	104553 ◆	104659 ◆	104633 ◆	104150 ◆
18	101875 ◆	104554 ◆	104660 ◆	104634 ◆	104304 ◆
20	101876 ◆	104555 ◆	104661 ◆	104635 ◆	104304 ◆
22	101877 ◆	104556 ◆	104662 ◆	104636 ◆	104304 ◆
24	101878 ◆	104557 ◆	104663 ◆	104637 ◆	104304 ◆
27	101879 ◆	104558 ◆	104664 ◆	104638 ◆	104421 ◆
30	101880 ◆	104559 ◆	104665 ◆	104639 ◆	104421 ◆
36	101881 ◆	104571 ◆	104666 ◆	104640 ◆	104501 ◆

Model CM	Heavy-Duty Gravity Discharge Shutter	Grease Trough	Vibration Pads		Mounting Rails
			RIS	SPRING	
	Stock #	Stock #	Stock #	Stock #	Stock #
10	104643 ▲	90005891BVS ▲	104669 ▲	104682 ▲	201570 ▲
12	104644 ▲	90005891BVS ▲	104670 ▲	104683 ▲	201571 ▲
14	104645 ▲	90005891BVS ▲	104671 ▲	104684 ▲	201572 ▲
16	104646 ◆	90005891BVS ◆	104672 ◆	104685 ◆	201573 ◆
18	104647 ◆	90005891BVS ◆	104673 ◆	104686 ◆	201574 ◆
20	104648 ◆	90005891BVS ◆	104674 ◆	104687 ◆	201575 ◆
22	104649 ◆	90005891BVS ◆	104675 ◆	104688 ◆	201576 ◆
24	104650 ◆	90005891BVS ◆	104676 ◆	104689 ◆	201577 ◆
27	104651 ◆	90005891BVS ◆	104677 ◆	104690 ◆	201578 ◆
30	104652 ◆	90005891BVS ◆	104678 ◆	104691 ◆	201579 ◆
36	104653 ◆	90005891BVS ◆	104679 ◆	104692 ◆	201580 ◆

Ship Schedules:
● Next Day Shipment From Stock
▲ 3 Day Shipment From Stock
◆ 10 Day Shipment

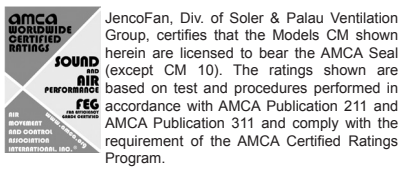
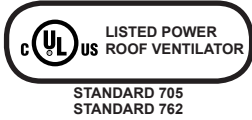
UTILITY VENT SET CENTRIFUGAL FANS

Please refer to the General Catalog or contact the Factory for our Full Line of products available on standard shipping schedules.

UTILITY VENT SET CENTRIFUGAL FANS

MODEL CM		Belt Driven Utility Vent Set SWSI Arrangement #10 Class 1 Construction												
HP	Stock Number	RPM	Max BHP	CFM at Static Pressure (Inches w.g.)										
				1/2	3/4	1	1 1/4	1 1/2	2	2 1/2	3	4	5	
10	1/4 CM10ML__S ▲	1325	0.07	507	270	-	-	-	-	-	-	-	-	-
		1450	0.09	610	455	-	-	-	-	-	-	-	-	-
		1550	0.11	686	556	-	-	-	-	-	-	-	-	-
		1675	0.14	777	665	526	-	-	-	-	-	-	-	-
	1/4 CM10MH__S ▲	1800	0.17	865	765	651	500	-	-	-	-	-	-	-
		1925	0.21	950	860	761	643	480	-	-	-	-	-	-
		2050	0.25	1033	951	862	762	642	-	-	-	-	-	-
	1/3 CM10PH__S ▲	2100	0.27	1066	986	900	806	696	-	-	-	-	-	-
		2175	0.3	1115	1038	957	869	770	-	-	-	-	-	-
		2250	0.33	1163	1090	1013	930	839	596	-	-	-	-	-
	1/2 CM10QH__S ▲	2300	0.35	1196	1124	1049	970	882	663	-	-	-	-	-
		2375	0.39	1244	1175	1103	1028	946	750	-	-	-	-	-
2475		0.44	1307	1242	1174	1103	1027	853	604	-	-	-	-	
2575		0.49	1370	1307	1243	1176	1105	947	745	-	-	-	-	
3/4 CM10RH__S ▲	2625	0.52	1401	1340	1277	1212	1143	992	805	-	-	-	-	
	2725	0.58	1464	1405	1345	1283	1218	1078	912	683	-	-	-	
	2850	0.67	1541	1486	1428	1370	1309	1180	1033	852	-	-	-	
	2950	0.74	1603	1549	1494	1438	1380	1258	1122	963	-	-	-	
12	1/4 CM12MH__S ▲	1025	0.1	754	-	-	-	-	-	-	-	-	-	
		1125	0.13	923	-	-	-	-	-	-	-	-	-	
		1250	0.18	1114	914	-	-	-	-	-	-	-	-	
		1375	0.24	1293	1126	924	-	-	-	-	-	-	-	
	1/3 CM12PH__S ▲	1450	0.28	1397	1243	1067	838	-	-	-	-	-	-	
		1525	0.33	1499	1356	1198	1008	733	-	-	-	-	-	
	1/2 CM12QH__S ▲	1600	0.38	1599	1465	1320	1155	947	-	-	-	-	-	
		1675	0.44	1698	1571	1437	1288	1114	-	-	-	-	-	
	3/4 CM12RH__S ▲	1750	0.5	1795	1676	1550	1413	1260	806	-	-	-	-	
		1850	0.59	1924	1812	1695	1572	1437	1099	-	-	-	-	
		1925	0.66	2020	1912	1802	1685	1561	1267	-	-	-	-	
	1 CM12SH__S ▲	2000	0.74	2115	2012	1906	1796	1680	1416	1047	-	-	-	
		2050	0.8	2178	2077	1975	1869	1758	1508	1184	-	-	-	
		2125	0.89	2272	2175	2077	1976	1871	1640	1359	-	-	-	
	1 1/2 CM12TH__S ▲	2200	0.99	2365	2272	2178	2081	1981	1766	1513	1173	-	-	
		2275	1.1	2458	2368	2278	2185	2089	1886	1656	1368	-	-	
		2350	1.21	2551	2464	2376	2287	2196	2003	1789	1536	-	-	
		2450	1.37	2674	2591	2507	2422	2335	2154	1958	1735	-	-	
2 CM12VH__S ▲	2525	1.5	2766	2685	2604	2522	2438	2265	2079	1873	1309	-		
	2600	1.64	2858	2779	2700	2621	2540	2374	2197	2004	1515	-		
	2675	1.78	2949	2873	2796	2719	2641	2481	2312	2130	1690	-		
		2775	1.99	3070	2997	2923	2849	2774	2622	2462	2292	1899	1305	

Performance certified is for installation type B - free inlet, ducted outlet. Performance ratings do not include the effects of appurtenances (accessories). Power rating (BHP) does not include transmission losses.



Ship Schedules:	
▲	3 Day Shipment From Stock
◆	10 Day Shipment

Please refer to the General Catalog or contact the Factory for our Full Line of products available on standard shipping schedules.

MODEL CM		Belt Driven Vent Set SWSI Arrangement #10 Class 1 Construction												
HP	Stock Number	RPM	Max BHP	CFM at Static Pressure (Inches w.g.)										
				1/2	3/4	1	1 1/4	1 1/2	2	2 1/2	3	4	5	
14	1/4	CM14MH_S ▲	950	0.14	1061	652	-	-	-	-	-	-	-	-
			1050	0.19	1277	1019	-	-	-	-	-	-	-	-
			1150	0.25	1477	1269	985	-	-	-	-	-	-	-
	1/3	CM14PH_S ▲	1200	0.29	1574	1381	1142	-	-	-	-	-	-	-
			1250	0.32	1669	1488	1276	962	-	-	-	-	-	-
	1/2	CM14QH_S ▲	1300	0.37	1763	1592	1400	1149	-	-	-	-	-	-
			1375	0.43	1902	1743	1571	1368	1079	-	-	-	-	-
			1445	0.5	2030	1880	1722	1545	1325	-	-	-	-	-
	3/4	CM14RH_S ▲	1500	0.56	2130	1986	1836	1673	1482	-	-	-	-	-
			1575	0.65	2264	2128	1988	1839	1673	1189	-	-	-	-
			1650	0.75	2397	2267	2135	1997	1848	1472	-	-	-	-
	1	CM14SH_S ▲	1725	0.86	2530	2405	2280	2150	2014	1692	1128	-	-	-
			1800	0.97	2661	2541	2422	2300	2172	1886	1491	-	-	-
	1 1/2	CM14TH_S ▲	1875	1.1	2792	2677	2562	2446	2326	2065	1739	1114	-	-
1975			1.28	2965	2855	2746	2637	2526	2289	2015	1645	-	-	
2075			1.49	3137	3032	2928	2825	2720	2501	2259	1967	-	-	
2	CM14VH_S ▲	2150	1.65	3265	3164	3064	2964	2863	2655	2431	2172	-	-	
		2225	1.84	3393	3295	3198	3101	3005	2806	2595	2360	1670	-	
		2290	2	3504	3408	3313	3220	3126	2935	2734	2514	1934	-	
3	CM14WH_S ▲	2400	2.3	3691	3598	3508	3418	3329	3148	2961	2762	2283	-	
		2500	2.61	3860	3771	3684	3597	3511	3339	3162	2977	2553	1924	
		2600	2.93	4028	3942	3858	3775	3692	3527	3359	3185	2799	2299	
16	1/4	CM16MH_S ◆	825	0.16	1222	-	-	-	-	-	-	-	-	-
			900	0.21	1455	1085	-	-	-	-	-	-	-	-
			950	0.25	1601	1287	-	-	-	-	-	-	-	-
	1/3	CM16PH_S ◆	1000	0.29	1741	1462	-	-	-	-	-	-	-	-
			1050	0.33	1879	1623	1300	-	-	-	-	-	-	-
	1/2	CM16QH_S ◆	1100	0.38	2013	1775	1497	1061	-	-	-	-	-	-
			1150	0.44	2146	1922	1672	1346	-	-	-	-	-	-
			1200	0.5	2276	2064	1835	1561	-	-	-	-	-	-
	3/4	CM16RH_S ◆	1250	0.56	2406	2203	1989	1747	1428	-	-	-	-	-
			1300	0.63	2534	2339	2138	1917	1651	-	-	-	-	-
			1375	0.75	2724	2540	2353	2155	1933	-	-	-	-	-
	1	CM16SH_S ◆	1425	0.83	2850	2671	2493	2306	2103	1553	-	-	-	-
			1475	0.92	2975	2802	2630	2453	2264	1796	-	-	-	-
			1510	0.99	3062	2893	2725	2554	2373	1943	-	-	-	-
	1 1/2	CM16TH_S ◆	1550	1.07	3162	2996	2832	2667	2494	2097	1458	-	-	-
			1625	1.23	3347	3187	3031	2875	2714	2361	1898	-	-	-
			1700	1.41	3531	3377	3227	3078	2927	2604	2219	1613	-	-
			1735	1.5	3617	3465	3318	3172	3025	2713	2352	1844	-	-
	2	CM16VH_S ◆	1775	1.6	3714	3565	3421	3278	3135	2835	2496	2054	-	-
			1850	1.82	3897	3752	3613	3476	3339	3057	2749	2382	-	-
			1900	1.97	4018	3876	3740	3606	3473	3201	2910	2574	-	-
	3	CM16WH_S ◆	1975	2.2	4199	4062	3930	3800	3672	3413	3141	2840	1950	-
			2075	2.56	4440	4307	4180	4056	3934	3689	3437	3167	2491	-
			2175	2.95	4680	4552	4429	4310	4193	3960	3723	3476	2901	1916

UTILITY VENT SET CENTRIFUGAL FANS



JencoFan, Div. of Soler & Palau Ventilation Group, certifies that the Models CM shown herein are licensed to bear the AMCA Seal (except CM 10). The ratings shown are based on test and procedures performed in accordance with AMCA Publication 211 and AMCA Publication 311 and comply with the requirement of the AMCA Certified Ratings Program.

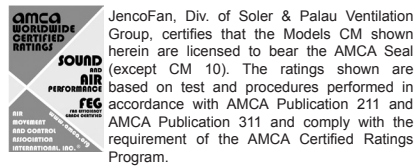
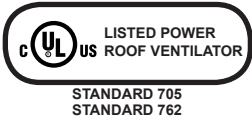
Performance certified is for installation type B - free inlet, ducted outlet. Performance ratings do not include the effects of appurtenances (accessories). Power rating (BHP) does not include transmission losses.

Please refer to the General Catalog or contact the Factory for our Full Line of products available on standard shipping schedules.

UTILITY VENT SET CENTRIFUGAL FANS

MODEL CM		Belt Driven Vent Set SWSI Arrangement #10 Class 1 Construction												
HP	Stock Number	RPM	Max BHP	CFM at Static Pressure (Inches w.g.)										
				1/2	3/4	1	1 1/4	1 1/2	2	2 1/2	3	4	5	
1/4	CM18MH__S ♦	700	0.18	1438	-	-	-	-	-	-	-	-	-	-
		750	0.22	1680	1052	-	-	-	-	-	-	-	-	-
		775	0.25	1793	1269	-	-	-	-	-	-	-	-	-
1/3	CM18PH__S ♦	800	0.27	1902	1439	-	-	-	-	-	-	-	-	-
		850	0.33	2113	1723	-	-	-	-	-	-	-	-	-
1/2	CM18QH__S ♦	875	0.36	2216	1850	-	-	-	-	-	-	-	-	-
		925	0.42	2416	2087	1669	-	-	-	-	-	-	-	-
		975	0.5	2611	2309	1955	-	-	-	-	-	-	-	-
3/4	CM18RH__S ♦	1025	0.58	2802	2522	2207	1808	-	-	-	-	-	-	-
		1075	0.66	2991	2727	2441	2104	1625	-	-	-	-	-	-
		1120	0.75	3158	2908	2641	2340	1962	-	-	-	-	-	-
1	CM18SH__S ♦	1175	0.87	3360	3124	2876	2606	2291	-	-	-	-	-	-
		1225	0.98	3542	3316	3083	2833	2554	1720	-	-	-	-	-
1 1/2	CM18TH__S ♦	1300	1.17	3813	3601	3384	3158	2914	2309	-	-	-	-	-
		1350	1.32	3991	3787	3580	3366	3139	2608	-	-	-	-	-
		1400	1.47	4169	3972	3774	3570	3357	2875	2201	-	-	-	-
2	CM18VH__S ♦	1450	1.63	4345	4155	3965	3770	3568	3124	2560	-	-	-	-
		1500	1.8	4521	4337	4153	3967	3774	3360	2862	2104	-	-	-
		1550	1.99	4696	4518	4340	4161	3977	3586	3135	2538	-	-	-
3	CM18WH__S ♦	1625	2.29	4957	4787	4618	4447	4274	3912	3511	3030	-	-	-
		1675	2.5	5130	4965	4801	4636	4469	4123	3747	3312	-	-	-
		1725	2.74	5303	5142	4983	4823	4662	4329	3974	3574	-	-	-
		1775	2.99	5475	5319	5164	5009	4852	4532	4194	3822	2818	-	-
5	CM18XH__S ♦	1900	3.66	5904	5757	5612	5467	5322	5028	4723	4399	3636	-	-
		2000	4.28	6245	6105	5967	5829	5691	5414	5130	4833	4168	3269	-
		2100	4.95	6585	6451	6319	6188	6057	5794	5526	5250	4652	3925	-

Performance certified is for installation type B - free inlet, ducted outlet. Performance ratings do not include the effects of appurtenances (accessories). Power rating (BHP) does not include transmission losses.



Ship Schedules:
▲ 3 Day Shipment From Stock
♦ 10 Day Shipment

How to order:

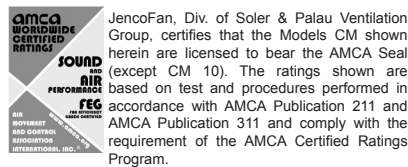
Model Number	Motor HP	RPM	Phase	UL	Stock
Example: CM24	P	H	1	U	S
CM24	P=1/3	L=Low	1 or 3	U=cULus705	S=Stock
	Q=1/2	M=Medium		R=cULus762	
	R=3/4	H=High			
	S=1				
	T=1 1/2				
	V=2				
	W=3				
	X=5				
	Y=7 1/2				
	Z=10				

Indicates Customer Provided Information

Please refer to the General Catalog or contact the Factory for our Full Line of products available on standard shipping schedules.

MODEL CM		Belt Driven Utility Vent Set SWSI Arrangement #10 Class 1 Construction												
HP	Stock Number	RPM	Max BHP	CFM at Static Pressure (Inches w.g.)										
				1/2	3/4	1	1 1/4	1 1/2	2	2 1/2	3	4	5	
20	1/3 CM20PH__S ◆	625	0.21	1795	-	-	-	-	-	-	-	-	-	-
		675	0.27	2137	1368	-	-	-	-	-	-	-	-	-
		720	0.33	2418	1840	-	-	-	-	-	-	-	-	-
	1/2 CM20QH__S ◆	775	0.42	2743	2267	-	-	-	-	-	-	-	-	-
		825	0.5	3027	2606	2068	-	-	-	-	-	-	-	-
	3/4 CM20RH__S ◆	850	0.55	3166	2765	2279	1381	-	-	-	-	-	-	-
		900	0.65	3439	3071	2654	2099	-	-	-	-	-	-	-
		940	0.75	3654	3307	2926	2464	1705	-	-	-	-	-	-
	1 CM20SH__S ◆	975	0.83	3840	3508	3152	2740	2184	-	-	-	-	-	-
		1025	0.97	4102	3789	3461	3097	2659	-	-	-	-	-	-
		1040	1	4180	3872	3551	3199	2783	-	-	-	-	-	-
	1 1/2 CM20TH__S ◆	1125	1.28	4617	4335	4046	3742	3408	2512	-	-	-	-	-
1175		1.46	4872	4601	4328	4043	3738	2997	-	-	-	-	-	
2 CM20VH__S ◆	1200	1.55	4998	4734	4466	4190	3898	3207	-	-	-	-	-	
	1250	1.75	5250	4996	4740	4479	4206	3590	2720	-	-	-	-	
	1300	1.97	5500	5255	5011	4762	4505	3942	3229	-	-	-	-	
3 CM20WH__S ◆	1350	2.2	5749	5513	5277	5040	4796	4273	3652	2735	-	-	-	
	1425	2.59	6120	5895	5672	5449	5222	4745	4210	3546	-	-	-	
	1500	3.03	6489	6274	6062	5851	5637	5195	4717	4166	-	-	-	
5 CM20XH__S ◆	1600	3.68	6978	6775	6576	6378	6179	5773	5347	4880	3651	-	-	
	1675	4.21	7342	7148	6957	6767	6578	6194	5796	5372	4353	-	-	
	1750	4.81	7705	7519	7335	7153	6972	6607	6233	5840	4946	3627	-	
	1770	4.98	7802	7617	7436	7256	7076	6716	6347	5962	5093	3873	-	

Performance certified is for installation type B - free inlet, ducted outlet. Performance ratings do not include the effects of appurtenances (accessories). Power rating (BHP) does not include transmission losses.



Ship Schedules:
▲ 3 Day Shipment From Stock
◆ 10 Day Shipment

How to order:

Model Number	Motor HP	RPM	Phase	UL	Stock
Example: CM24	P	H	1	U	S
CM24	P=1/3 Q=1/2 R=3/4 S=1 T=1 1/2 V=2 W=3 X=5 Y=7 1/2 Z=10	L=Low M=Medium H=High	1 or 3	U=cULus705 R=cULus762	S=Stock

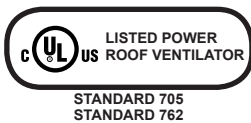
Indicates Customer Provided Information

UTILITY VENT SET CENTRIFUGAL FANS

Please refer to the General Catalog or contact the Factory for our Full Line of products available on standard shipping schedules.

MODEL CM		Belt Driven Utility Vent Set SWSI Arrangement #10 Class 1 Construction												
HP	Stock Number	RPM	Max BHP	CFM at Static Pressure (Inches w.g.)										
				1/2	3/4	1	1 1/4	1 1/2	2	2 1/2	3	4	5	
1/3	CM22PH__S ♦	575	0.29	2384	-	-	-	-	-	-	-	-	-	-
		590	0.31	2527	1293	-	-	-	-	-	-	-	-	-
		600	0.33	2620	1593	-	-	-	-	-	-	-	-	-
1/2	CM22QH__S ♦	620	0.37	2799	1952	-	-	-	-	-	-	-	-	-
		650	0.42	3059	2347	-	-	-	-	-	-	-	-	-
		680	0.48	3309	2677	-	-	-	-	-	-	-	-	-
3/4	CM22RH__S ♦	695	0.52	3431	2830	-	-	-	-	-	-	-	-	-
		725	0.59	3672	3118	2386	-	-	-	-	-	-	-	-
		755	0.66	3908	3390	2762	-	-	-	-	-	-	-	-
		785	0.75	4140	3652	3090	-	-	-	-	-	-	-	-
1	CM22SH__S ♦	800	0.79	4255	3779	3242	2514	-	-	-	-	-	-	-
		830	0.88	4483	4029	3533	2920	-	-	-	-	-	-	-
		860	0.98	4709	4274	3809	3266	2484	-	-	-	-	-	-
1 1/2	CM22TH__S ♦	890	1.09	4933	4514	4075	3581	2950	-	-	-	-	-	-
		920	1.2	5154	4750	4332	3875	3328	-	-	-	-	-	-
		950	1.32	5375	4983	4583	4154	3664	-	-	-	-	-	-
		980	1.45	5593	5213	4829	4424	3973	-	-	-	-	-	-
2	CM22VH__S ♦	1025	1.66	5919	5555	5190	4813	4406	3369	-	-	-	-	-
		1055	1.81	6135	5780	5427	5065	4681	3756	-	-	-	-	-
		1085	1.97	6350	6004	5661	5312	4946	4101	-	-	-	-	-
3	CM22WH__S ♦	1130	2.23	6671	6337	6008	5676	5333	4572	3535	-	-	-	-
		1160	2.41	6884	6557	6236	5914	5584	4865	3955	-	-	-	-
		1220	2.8	7307	6994	6688	6383	6074	5421	4660	3581	-	-	-
		1250	3.01	7518	7211	6912	6614	6314	5687	4976	4051	-	-	-
5	CM22XH__S ♦	1295	3.35	7833	7535	7245	6958	6670	6075	5421	4635	-	-	-
		1340	3.71	8147	7857	7575	7297	7020	6452	5843	5144	-	-	-
		1400	4.23	8564	8284	8013	7746	7480	6943	6379	5758	3975	-	-
		1475	4.95	9083	8815	8554	8300	8047	7542	7021	6466	5102	-	-
7 1/2	CM22YH__S ♦	1550	5.74	9600	9342	9092	8848	8606	8127	7639	7131	5968	4130	
		1610	6.44	10012	9761	9519	9282	9049	8587	8122	7642	6584	5176	
		1685	7.38	10525	10284	10050	9822	9598	9155	8713	8263	7299	6139	

Performance certified is for installation type B - free inlet, ducted outlet. Performance ratings do not include the effects of appurtenances (accessories). Power rating (BHP) does not include transmission losses.



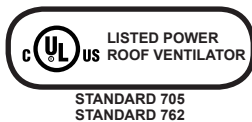
JencoFan, Div. of Soler & Palau Ventilation Group, certifies that the Models CM shown herein are licensed to bear the AMCA Seal (except CM 10). The ratings shown are based on test and procedures performed in accordance with AMCA Publication 211 and AMCA Publication 311 and comply with the requirement of the AMCA Certified Ratings Program.

Ship Schedules:	
▲	3 Day Shipment From Stock
♦	10 Day Shipment

Please refer to the General Catalog or contact the Factory for our Full Line of products available on standard shipping schedules.

MODEL CM		Belt Driven Vent Set SWSI Arrangement #10 Class 1 Construction												
HP	Stock Number	RPM	Max BHP	CFM at Static Pressure (Inches w.g.)										
				1/2	3/4	1	1 1/4	1 1/2	2	2 1/2	3	4	5	
1/2	CM24QH__S ♦	500	0.35	3035	-	-	-	-	-	-	-	-	-	-
		525	0.41	3383	1803	-	-	-	-	-	-	-	-	-
		555	0.48	3773	2756	-	-	-	-	-	-	-	-	-
3/4	CM24RH__S ♦	575	0.54	4022	3131	-	-	-	-	-	-	-	-	-
		640	0.74	4793	4103	3164	-	-	-	-	-	-	-	-
1	CM24SH__S ♦	650	0.78	4907	4237	3363	-	-	-	-	-	-	-	-
		675	0.87	5191	4561	3800	-	-	-	-	-	-	-	-
		700	0.97	5471	4874	4188	3181	-	-	-	-	-	-	-
1 1/2	CM24TH__S ♦	750	1.2	6021	5476	4885	4172	2960	-	-	-	-	-	-
		805	1.48	6615	6112	5588	5005	4283	-	-	-	-	-	-
2	CM24VH__S ♦	825	1.6	6828	6338	5833	5281	4626	-	-	-	-	-	-
		850	1.74	7094	6619	6133	5613	5019	-	-	-	-	-	-
		880	1.93	7410	6951	6487	5997	5456	3878	-	-	-	-	-
3	CM24WH__S ♦	925	2.25	7882	7444	7006	6553	6068	4864	-	-	-	-	-
		975	2.63	8401	7984	7570	7149	6708	5696	4067	-	-	-	-
		1020	3.00	8866	8465	8069	7671	7260	6355	5167	-	-	-	-
5	CM24XH__S ♦	1100	3.78	9685	9309	8941	8574	8203	7420	6520	5297	-	-	-
		1150	4.32	10194	9831	9478	9127	8775	8045	7239	6261	-	-	-
		1205	4.97	10751	10402	10063	9728	9393	8708	7976	7142	-	-	-
7 1/2	CM24YH__S ♦	1300	6.23	11707	11379	11061	10749	10439	9815	9168	8474	6726	-	-
		1385	7.54	12557	12247	11945	11649	11357	10774	10182	9563	8150	5946	-
10	CM24ZH__S ♦	1425	8.22	12956	12653	12358	12069	11785	11219	10646	10055	8739	6946	-
		1475	9.12	13453	13158	12872	12592	12316	11769	11219	10656	9435	7915	-
		1520	9.97	13900	13612	13333	13060	12791	12259	11727	11186	10034	8669	-

Performance certified is for installation type B - free inlet, ducted outlet. Performance ratings do not include the effects of appurtenances (accessories). Power rating (BHP) does not include transmission losses.



JencoFan, Div. of Soler & Palau Ventilation Group, certifies that the Models CM shown herein are licensed to bear the AMCA Seal (except CM 10). The ratings shown are based on test and procedures performed in accordance with AMCA Publication 211 and AMCA Publication 311 and comply with the requirement of the AMCA Certified Ratings Program.

Ship Schedules:
▲ 3 Day Shipment From Stock
♦ 10 Day Shipment

How to order:

Model Number	Motor HP	RPM	Phase	UL	Stock
Example: CM24	P	H	1	U	S
CM24	P=1/3 Q=1/2 R=3/4 S=1 T=1 1/2 V=2 W=3 X=5 Y=7 1/2 Z=10	L=Low M=Medium H=High	1 or 3	U=cULus705 R=cULus762	S=Stock

Indicates Customer Provided Information

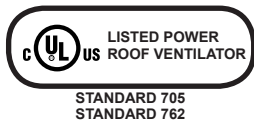
UTILITY VENT SET CENTRIFUGAL FANS

Please refer to the General Catalog or contact the Factory for our Full Line of products available on standard shipping schedules.

UTILITY VENT SET CENTRIFUGAL FANS

MODEL CM		Belt Driven Vent Set SWSI Arrangement #10 Class 1 Construction												
HP	Stock Number	RPM	Max BHP	CFM at Static Pressure (Inches w.g.)										
				1/2	3/4	1	1 1/4	1 1/2	2	2 1/2	3	4	5	
1/2	CM27QH__S ♦	425	0.35	3243	-	-	-	-	-	-	-	-	-	-
		450	0.43	3787	-	-	-	-	-	-	-	-	-	-
		470	0.5	4185	2462	-	-	-	-	-	-	-	-	-
3/4	CM27RH__S ♦	490	0.57	4561	3181	-	-	-	-	-	-	-	-	-
		510	0.65	4921	3720	-	-	-	-	-	-	-	-	-
		530	0.73	5268	4187	-	-	-	-	-	-	-	-	-
1	CM27SH__S ♦	550	0.82	5607	4615	3148	-	-	-	-	-	-	-	-
		570	0.91	5937	5016	3795	-	-	-	-	-	-	-	-
		590	1.02	6261	5398	4322	-	-	-	-	-	-	-	-
1 1/2	CM27TH__S ♦	625	1.21	6816	6033	5118	3872	-	-	-	-	-	-	-
		650	1.36	7203	6468	5631	4589	-	-	-	-	-	-	-
		675	1.52	7586	6890	6115	5197	3908	-	-	-	-	-	-
2	CM27VH__S ♦	700	1.69	7963	7303	6578	5748	4702	-	-	-	-	-	-
		725	1.88	8336	7707	7025	6261	5352	-	-	-	-	-	-
		745	2.04	8633	8025	7373	6653	5820	-	-	-	-	-	-
3	CM27WH__S ♦	775	2.3	9073	8496	7882	7215	6468	4343	-	-	-	-	-
		820	2.72	9726	9188	8623	8019	7362	5747	-	-	-	-	-
		850	3.04	10157	9643	9104	8535	7923	6486	-	-	-	-	-
5	CM27XH__S ♦	900	3.6	10870	10389	9890	9367	8815	7575	5965	-	-	-	-
		950	4.24	11575	11124	10658	10174	9667	8561	7244	5352	-	-	-
		1010	5.09	12415	11994	11562	11115	10653	9664	8546	7187	-	-	-
7 1/2	CM27YH__S ♦	1040	5.56	12833	12425	12008	11578	11134	10192	9145	7920	-	-	-
		1100	6.58	13663	13280	12889	12489	12077	11213	10277	9230	6297	-	-
		1160	7.71	14489	14128	13760	13384	13000	12200	11347	10418	8137	-	-
10	CM27ZH__S ♦	1180	8.12	14763	14408	14048	13680	13303	12522	11693	10796	8645	-	-
		1225	9.09	15379	15038	14692	14340	13981	13238	12456	11621	9693	6852	-
		1270	10.13	15992	15665	15332	14995	14651	13943	13201	12417	10655	8355	-

Performance certified is for installation type B - free inlet, ducted outlet. Performance ratings do not include the effects of appurtenances (accessories). Power rating (BHP) does not include transmission losses.



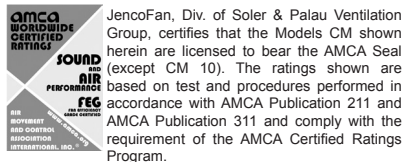
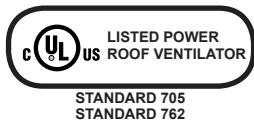
JencoFan, Div. of Soler & Palau Ventilation Group, certifies that the Models CM shown herein are licensed to bear the AMCA Seal (except CM 10). The ratings shown are based on test and procedures performed in accordance with AMCA Publication 211 and AMCA Publication 311 and comply with the requirement of the AMCA Certified Ratings Program.

Ship Schedules:	
▲	3 Day Shipment From Stock
♦	10 Day Shipment

Please refer to the General Catalog or contact the Factory for our Full Line of products available on standard shipping schedules.

MODEL CM		Belt Driven Vent Set SWSI Arrangement #10 Class 1 Construction												
HP	Stock Number	RPM	Max BHP	CFM at Static Pressure (Inches w.g.)										
				1/2	3/4	1	1 1/4	1 1/2	2	2 1/2	3	4	5	
30	3/4 CM30RH__S ♦	390	0.52	4512	-	-	-	-	-	-	-	-	-	-
		415	0.64	5213	-	-	-	-	-	-	-	-	-	-
		435	0.74	5732	4041	-	-	-	-	-	-	-	-	-
	1 CM30SH__S ♦	450	0.82	6105	4631	-	-	-	-	-	-	-	-	-
		465	0.91	6467	5136	-	-	-	-	-	-	-	-	-
		485	1.04	6938	5741	3740	-	-	-	-	-	-	-	-
	1 1/2 CM30TH__S ♦	500	1.14	7283	6162	4563	-	-	-	-	-	-	-	-
		525	1.32	7848	6822	5536	-	-	-	-	-	-	-	-
		550	1.52	8401	7449	6334	4656	-	-	-	-	-	-	-
	2 CM30VH__S ♦	565	1.65	8728	7813	6771	5363	-	-	-	-	-	-	-
		580	1.78	9052	8169	7187	5944	-	-	-	-	-	-	-
		605	2.02	9588	8751	7847	6779	5233	-	-	-	-	-	-
	3 CM30WH__S ♦	620	2.17	9906	9094	8227	7233	5920	-	-	-	-	-	-
		660	2.62	10746	9989	9203	8345	7340	-	-	-	-	-	-
		695	3.06	11471	10755	10022	9244	8378	5851	-	-	-	-	-
	5 CM30XH__S ♦	720	3.41	11985	11294	10593	9859	9062	7001	-	-	-	-	-
		770	4.16	13004	12357	11709	11043	10342	8721	6124	-	-	-	-
		820	5.03	14013	13403	12797	12182	11547	10157	8397	-	-	-	-
	7 1/2 CM30YH__S ♦	840	5.41	14414	13818	13226	12629	12015	10691	9087	6474	-	-	-
		890	6.43	15412	14846	14287	13727	13159	11963	10611	8893	-	-	-
		940	7.58	16403	15865	15334	14806	14273	13172	11976	10587	-	-	-
	10 CM30ZH__S ♦	970	8.33	16995	16472	15957	15444	14930	13875	12749	11482	7479	-	-
		1000	9.12	17586	17076	16575	16078	15580	14566	13497	12323	9127	-	-
		1030	9.97	18174	17678	17190	16707	16225	15247	14227	13126	10356	-	-

Performance certified is for installation type B - free inlet, ducted outlet. Performance ratings do not include the effects of appurtenances (accessories). Power rating (BHP) does not include transmission losses.



Ship Schedules:	
▲	3 Day Shipment From Stock
♦	10 Day Shipment

How to order:

	Model Number	Motor HP	RPM	Phase	UL	Stock
Example:	CM24	P	H	1	U	S
	CM24	P=1/3	L=Low	1 or 3	U=cULus705	S=Stock
		Q=1/2	M=Medium		R=cULus762	
		R=3/4	H=High			
		S=1				
		T=1 1/2				
		V=2				
		W=3				
		X=5				
		Y=7 1/2				
		Z=10				

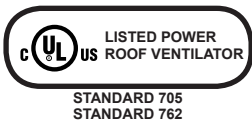
Indicates Customer Provided Information

UTILITY VENT SET CENTRIFUGAL FANS

Please refer to the General Catalog or contact the Factory for our Full Line of products available on standard shipping schedules.

MODEL CM		Belt Driven Vent Set SWSI Arrangement #10 Class 1 Construction												
HP	Stock Number	RPM	Max BHP	CFM at Static Pressure (Inches w.g.)										
				1/2	3/4	1	1 1/4	1 1/2	2	2 1/2	3	4	5	
1	CM36SH__S◆	340	0.59	5308	-	-	-	-	-	-	-	-	-	-
		380	0.86	6882	-	-	-	-	-	-	-	-	-	-
		400	1.01	7588	5732	-	-	-	-	-	-	-	-	-
1 1/2	CM36TH__S◆	420	1.18	8264	6656	-	-	-	-	-	-	-	-	-
		440	1.36	8919	7474	-	-	-	-	-	-	-	-	-
		460	1.55	9558	8231	6523	-	-	-	-	-	-	-	-
2	CM36VH__S◆	470	1.65	9872	8594	7014	-	-	-	-	-	-	-	-
		485	1.82	10338	9124	7687	-	-	-	-	-	-	-	-
		500	1.99	10798	9639	8310	-	-	-	-	-	-	-	-
3	CM36WH__S◆	525	2.3	11554	10472	9276	7820	-	-	-	-	-	-	-
		550	2.65	12299	11281	10183	8922	7255	-	-	-	-	-	-
		575	3.03	13035	12071	11050	9918	8561	-	-	-	-	-	-
5	CM36XH__S◆	600	3.44	13763	12846	11888	10851	9669	-	-	-	-	-	-
		640	4.17	14914	14061	13183	12256	11249	8660	-	-	-	-	-
		680	5.01	16051	15253	14438	13592	12697	10615	-	-	-	-	-
7 1/2	CM36YH__S◆	700	5.46	16615	15841	15054	14242	13389	11463	-	-	-	-	-
		740	6.45	17736	17005	16266	15511	14729	13026	10942	-	-	-	-
		785	7.7	18988	18299	17606	16903	16183	14654	12913	10672	-	-	-
10	CM36ZH__S◆	800	8.15	19402	18727	18048	17360	16658	15176	13514	11465	-	-	-
		830	9.11	20230	19579	18926	18266	17595	16195	14663	12876	-	-	-
		860	10.13	21053	20425	19796	19162	18519	17189	15758	14149	-	-	-

Performance certified is for installation type B - free inlet, ducted outlet. Performance ratings do not include the effects of appurtenances (accessories). Power rating (BHP) does not include transmission losses.



JencoFan, Div. of Soler & Palau Ventilation Group, certifies that the Models CM shown herein are licensed to bear the AMCA Seal (except CM 10). The ratings shown are based on test and procedures performed in accordance with AMCA Publication 211 and AMCA Publication 311 and comply with the requirement of the AMCA Certified Ratings Program.

Ship Schedules:
▲ 3 Day Shipment From Stock
◆ 10 Day Shipment

How to order:

Model Number	Motor HP	RPM	Phase	UL	Stock
Example: CM24	P	H	1	U	S
CM24	P=1/3 Q=1/2 R=3/4 S=1 T=1 1/2 V=2 W=3 X=5 Y=7 1/2 Z=10	L=Low M=Medium H=High	1 or 3	U=cULus705 R=cULus762	S=Stock

Indicates Customer Provided Information

Please refer to the General Catalog or contact the Factory for our Full Line of products available on standard shipping schedules.

Sound Characteristics

RPM	Sound Performance Sones / LwA (Inches w.g.)										
	0.5	1	1.5	2	2.5	3	3.5	4	4.5	5	
CM 10	1500	5.7 / 64.2	-	-	-	-	-	-	-	-	-
	1875	9.5 / 72.1	8.2 / 69.5	-	-	-	-	-	-	-	-
	2250	14.4 / 78.7	12.2 / 76.0	11.4 / 74.6	11.1 / 73.2	-	-	-	-	-	-
	2625	19.1 / 83.5	17.1 / 81.5	15.7 / 80.0	15.0 / 79.1	14.6 / 78.1	-	-	-	-	-
CM 12	1450	10.2 / 73.3	8.8 / 70.4	-	-	-	-	-	-	-	-
	1850	17.6 / 81.9	14.8 / 79.2	13.7 / 77.5	13.1 / 76.3	-	-	-	-	-	-
	2275	25 / 88.0	24 / 86.8	21 / 85	20 / 84	19.6 / 83.1	19.3 / 82.4	-	-	-	-
	2700	34 / 92.8	34 / 92.6	31 / 91.3	29 / 90.0	28 / 89.3	27 / 88.6	26 / 87.9	26 / 87.5	26 / 87.2	-
CM 14	1100	7.7 / 68.7	-	-	-	-	-	-	-	-	-
	1500	14.4 / 79.0	12.5 / 76.8	11.3 / 74.8	-	-	-	-	-	-	-
	1900	23 / 86.3	21 / 85.1	19.3 / 83.9	18.0 / 82.8	17.0 / 81.7	15.5 / 79.4	-	-	-	-
	2300	32 / 92.2	30 / 91.3	29 / 90.6	28 / 90.1	26 / 89.4	25 / 88.8	25 / 88.4	23 / 87.5	-	-
	2700	41 / 96.2	40 / 95.6	38 / 95.0	37 / 94.5	36 / 94.1	34 / 93.6	33 / 93.1	32 / 92.6	31 / 92.2	31 / 91.8
CM 16	1150	11.6 / 75.3	9.4 / 71.6	-	-	-	-	-	-	-	-
	1450	19.3 / 83.5	16.1 / 80.7	14.2 / 78.5	12.4 / 75.9	-	-	-	-	-	-
	1800	29 / 90.1	27 / 88.9	24 / 87.1	22 / 85.5	20 / 84.4	18.5 / 82.6	-	-	-	-
	2150	39 / 95.1	39 / 94.8	35 / 93.5	32 / 92.2	30 / 91.1	28 / 90.1	27 / 89.4	26 / 88.4	24 / 86.8	23 / 85.5
CM 18	1025	12.3 / 75.4	9.5 / 71.5	-	-	-	-	-	-	-	-
	1350	23 / 85.2	19.9 / 83.2	16.9 / 80.7	14.6 / 78	14.4 / 76.9	-	-	-	-	-
	1650	31 / 90.4	29 / 89.6	26 / 88.1	24 / 86.5	21 / 84.8	19.4 / 83	18.4 / 81.4	-	-	-
	2000	42 / 95.8	40 / 95.4	39 / 94.7	36 / 93.7	34 / 92.7	32 / 91.6	30 / 90.5	28 / 89.2	26 / 88.0	25 / 86.7
CM 20	775	8.4 / 69.7	-	-	-	-	-	-	-	-	-
	1050	17.3 / 81	13.9 / 77.7	12.2 / 74.8	-	-	-	-	-	-	-
	1300	27 / 88.4	24 / 86.3	21 / 84.4	19.7 / 82.9	18.0 / 81	-	-	-	-	-
	1550	37 / 93.2	34 / 92.2	31 / 90.6	28 / 89.2	27 / 88.1	25 / 87.1	24 / 85.7	22 / 84.1	-	-
	1825	47 / 97.5	45 / 96.9	43 / 96.0	39 / 94.9	36 / 93.7	35 / 92.9	33 / 92.2	32 / 91.3	31 / 90.5	29 / 89.3
CM 22	575	5.7 / 62.7	-	-	-	-	-	-	-	-	-
	825	13.1 / 76.4	10.6 / 72.9	-	-	-	-	-	-	-	-
	1225	30 / 89.7	27 / 88.2	24 / 86.4	22 / 84.9	21 / 83.3	19.8 / 82.1	-	-	-	-
	1600	46 / 96.9	45 / 96.7	42 / 95.8	40 / 94.7	37 / 93.7	35 / 92.8	33 / 91.9	32 / 91.0	31 / 90.2	30 / 89.4
CM 24	500	5.2 / 61.9	-	-	-	-	-	-	-	-	-
	825	17.6 / 81.4	14.3 / 78.4	12.1 / 75.2	-	-	-	-	-	-	-
	1175	34 / 92.1	32 / 91.4	29 / 90.1	26 / 88.5	24 / 86.8	23 / 85.5	20 / 83.2	-	-	-
	1500	50 / 98.6	50 / 98.3	48 / 97.9	45 / 97.1	42 / 96.4	40 / 95.4	37 / 94.4	35 / 93.3	34 / 92.5	33 / 91.7
CM 27	450	5.6 / 62.1	-	-	-	-	-	-	-	-	-
	750	18.9 / 82.5	15.6 / 79.4	12.9 / 75.9	-	-	-	-	-	-	-
	1025	32 / 91.6	31 / 91.0	28 / 89.5	25 / 87.9	23 / 86.0	21 / 83.9	19.8 / 82.5	-	-	-
	1300	48 / 98.2	47 / 98.0	47 / 97.7	44 / 96.9	41 / 96.0	39 / 95.0	36 / 93.9	34 / 92.7	31 / 91.3	30 / 90.1
CM 30	400	5.6 / 62.2	-	-	-	-	-	-	-	-	-
	550	12.7 / 75.7	9.5 / 70.8	-	-	-	-	-	-	-	-
	775	26 / 87.5	22 / 85.3	19.4 / 82.8	17.2 / 80.5	16.3 / 78.9	-	-	-	-	-
	1025	43 / 96.0	41 / 95.1	38 / 93.9	34 / 92.6	32 / 91.1	29 / 89.7	28 / 88.4	27 / 87.4	27 / 87.4	-
CM 36	425	9.1 / 69.9	-	-	-	-	-	-	-	-	-
	575	19.8 / 82.1	16.0 / 78.3	13.1 / 75.0	-	-	-	-	-	-	-
	725	32 / 89.8	28 / 87.7	25 / 85.5	22 / 83.5	20.0 / 81.3	-	-	-	-	-
	875	43 / 95.2	40 / 94.2	37 / 92.5	33 / 90.9	31 / 89.7	29 / 88.2	26 / 86.6	26 / 85.4	-	-

UTILITY VENT SET CENTRIFUGAL FANS

The A-weighted sound ratings shown have been calculated per AMCA standard 301. Values shown are for inlet Lwi(A) sound power levels for installation type B - free inlet, ducted outlet. Ratings do not include the effect of duct end corrections.



JencoFan, Div. of Soler & Palau Ventilation Group, certifies that the Models CM shown herein are licensed to bear the AMCA Seal (except CM 10). The ratings shown are based on test and procedures performed in accordance with AMCA Publication 211 and AMCA Publication 311 and comply with the requirement of the AMCA Certified Ratings Program.

Please refer to the General Catalog or contact the Factory for our Full Line of products available on standard shipping schedules.