

# MODEL CFD

## Belt Drive Forward Curved Inline Duct Blower



### APPLICATION

JencoFan's Forward Curved Belt Driven Inline Duct Blowers are designed for supply, exhaust or ducted return applications. The CFD is an economical fan model designed to run quietly and efficiently in cooling, heating, and ventilating applications.

The CFD was designed with several features to make life easier for the user. These features include: removable access panels with handles, adjustable motor pulleys for easy field adjusting, tight seals, and hanging rod connections.

### CONSTRUCTION

#### Housing

- Statically and dynamically balanced forward curved wheel
- 12-gauge galvanized steel blower plate/discharge opening
- 18-gauge galvanized steel housing
- Prepunched mounting holes
- Conduit opening for wiring from below unit

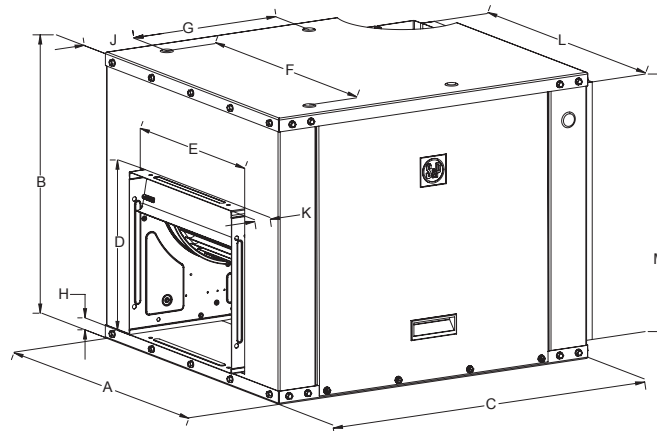
#### Motors

- Single speed open drip-proof are standard.
- All motors are rated for continuous duty.
- Standard motors are permanently sealed ball bearing type.

### AMCA SEAL



JencoFan, Div. of Soler & Palau Ventilation Group, certifies that the Models CFD shown herein are licensed to bear the AMCA Seal. The ratings shown are based on test and procedures performed in accordance with AMCA Publication 211 and AMCA Publication 311 and comply with the requirement of the AMCA Certified Ratings Program.



MIXED FLOW/CENTRIFUGAL INLINE FANS

### DIMENSIONAL DATA

Model	A	B	C	D	E	F	G	H	J	K	L	M	Shaft (MM/IN)	WT (LBS)
7	18	15-3/8	23	8-1/4	9-1/4	14-1/2	9-5/8	1-1/4	1-1/4	7/8	15-7/8	13-3/8	20/.75	43
9	21	18	23	10-1/4	11-13/16	17-1/2	11-3/4	1-1/4	1-3/4	7/8	19	16	20/.75	55
10	22-1/4	20	24-3/4	11-1/4	13-1/8	18-3/4	13-3/8	1-1/4	1-3/4	7/8	20-1/4	18	20/.75	65
12	27	23	27-1/2	13-7/16	15-5/8	23-1/2	16-1/8	1-1/4	1-3/4	7/8	25	21	25/1	82
15	33-1/2	28	32	15-7/8	18-5/8	28	19-1/2	2-5/8	1-3/4	7/8	30-1/2	25	25/1	140

Metric Shafts have 'H' bushings installed to accommodate common pulleys

### ACCESSORIES

MODEL CFD	INSULATED FILTER SECTION WITH 1" ALUMINUM MESH FILTER	FLOOR KIT WITHOUT ISOLATORS	VIBRATION ISOLATORS HANGING STYLE		VIBRATION ISOLATORS FLOOR MOUNT	
	STOCK NO.	STOCK NO.	RUBBER STOCK NO.	SPRING STOCK NO.	RUBBER STOCK NO.	SPRING STOCK NO.
7	CFD07FS ●	105195 ●	105200 ●	105199 ●	105197 ●	105196 ●
9	CFD09FS ●	105195 ●	105200 ●	105199 ●	105197 ●	105196 ●
10	CFD10FS ●	105195 ●	105200 ●	105199 ●	105197 ●	105196 ●
12	CFD12FS ●	105195 ●	105200 ●	105199 ●	105197 ●	105196 ●
15	CFD15FS ●	105195 ●	105200 ●	105199 ●	105197 ●	105196 ●

Ship Schedules:
● Next Day Shipment From Stock
▲ 3 Day Shipment From Stock
◆ 10 Day Shipment

ALL DIMENSIONS IN INCHES, WEIGHTS IN POUNDS.

DUE TO CONTINUING RESEARCH, JencOFan RESERVES THE RIGHT TO CHANGE SPECIFICATIONS WITHOUT NOTICE.

*Please refer to the General Catalog or contact the Factory for our Full Line of products available on standard shipping schedules.*

<b>MODEL CFD</b>			<b>Belt-Drive Forward Curved Inline Duct Blowers</b>													
Model CFD	Motor Hp	Max. BHp	Single Phase 115/208/230	Three Phase 208/230/460	CFM	RPM at Static Pressure										
			STOCK NO.	STOCK NO.		1/8	1/4	3/8	1/2	5/8	3/4	1	1 1/4	1 1/2		
7	1/4	0.26	CFD07ML1S ● (765-1039 RPM)	CFD07ML3S ● (765-1039 RPM)	200	-	-	856	980	1088	1184	1354	1502	1634		
					300	-	-	872	1001	1114	1214	1391	1544	1682		
					400	-	-	886	1013	1127	1230	1412	1571	1712		
			CFD07MH1S ● (1000-1357 RPM)	CFD07MH3S ● (1000-1357 RPM)	500	-	783	912	1031	1141	1242	1425	1586	1731		
					600	-	840	953	1061	1163	1260	1438	1598	1744		
					700	801	907	1007	1104	1197	1287	1456	1612	1756		
					800	885	981	1071	1158	1243	1325	1483	1632	1772		
					900	972	1059	1141	1221	1298	1374	1520	1660	1793		
					1000	1061	1141	1217	1290	1361	1430	1566	1697	1823		
	CFD07PL1S ● (1000-1357 RPM)	CFD07PL3S ● (1000-1357 RPM)			1100	1150	1225	1296	1363	1429	1494	1620	1742	1861		
					CFD07PH1S ● (1256-1705 RPM)	CFD07PH3S ● (1256-1705 RPM)	1200	1241	1311	1377	1440	1502	1562	1679	1794	-
	1/2	0.53			CFD07QL1S ● (1113-1511 RPM)	CFD07QL3S ● (1113-1511 RPM)	1300	1333	1398	1460	1520	1577	1634	1744	-	-
			CFD07QH1S ● (1441-1955 RPM)	CFD07QH3S ● (1441-1955 RPM)	1400	1426	1487	1545	1601	1655	-	-	-	-		
	3/4	0.77	CFD07RL1S ● (1166-1583 RPM)	CFD07RL3S ● (1166-1583 RPM)	1400	1426	1487	1545	1601	1655	-	-	-	-		
			CFD07RH1S ● (1441-1955 RPM)	CFD07RH3S ● (1441-1955 RPM)	1500	1519	1576	-	-	-	-	-	-	-		
	9	1/4	0.25	CFD09ML1S ● (450-659 RPM)	CFD09ML3S ● (450-659 RPM)	400	455	-	-	-	-	-	-	-	-	
						500	442	-	-	-	-	-	-	-	-	
						600	455	-	-	-	-	-	-	-	-	
				CFD09MH1S ● (583-800 RPM)	CFD09MH3S ● (583-800 RPM)	700	481	624	-	-	-	-	-	-	-	
						800	513	634	-	-	-	-	-	-	-	
						900	550	655	766	-	-	-	-	-	-	
						1000	588	683	780	883	-	-	-	-	-	
						1100	628	715	801	891	987	-	-	-	-	
						1200	669	751	829	909	993	-	-	-	-	
1300		711	788			860	933	1008	1086	-	-	-				
1/3		0.33	CFD09PL1S ● (450-659 RPM)			CFD09PL3S ● (450-659 RPM)	1400	753	826	894	962	1030	1100	1248	-	-
			CFD09PH1S ● (615-900 RPM)			CFD09PH3S ● (615-900 RPM)	1500	795	866	930	993	1056	1120	1254	-	-
1/2		0.55	CFD09QH1S ● (736-1025 RPM)	CFD09QH3S ● (736-1025 RPM)	1600	838	906	968	1027	1086	1145	1267	-	-		
					1700	881	947	1006	1063	1118	1173	1286	-	-		
					3/4	0.77	CFD09RH1S ● (807-1125 RPM)	CFD09RH3S ● (807-1125 RPM)	1800	924	989	1046	1100	1152	1204	-
1900		967	1031	1086			1138	1188	1237	-	-	-				
1		1.09	CFD09SH1S ● (954-1300)	CFD09SH3S ● (954-1300)	2000	1010	1073	1127	1176	1225	-	-	-	-		
					2100	1054	1115	1167	-	-	-	-	-	-		
					2200	1098	1158	-	-	-	-	-	-	-		

Power ratings (BHP) do not include transmission losses.  
 Performance certified is for installation type B-free inlet, ducted outlet.  
 Performance ratings do not include the effects of appurtenances (accessories).  
 575/3/60 ODP Motors are available for most motor HP's - Refer to Price List.

Table shows fan RPM needed for required CFM and SP.  
 Shaded/Non-shaded area shows motor HP and stock number to order.

Please refer to the General Catalog or contact the Factory for our Full Line of products available on standard shipping schedules.

# MODEL CFD

## Belt-Drive Forward Curved Inline Duct Blowers

Model CFD	Motor Hp	Max. BHp	Single Phase 115/208/230	Three Phase 208/230/460	CFM	RPM at Static Pressure								
			STOCK NO.	STOCK NO.		1/8	1/4	3/8	1/2	5/8	3/4	1	1 1/4	1 1/2
10	1/4	0.26	CFD10ML1S ● (361-551 RPM)  CFD10MH1S ● (545-772 RPM)	CFD10ML3S ● (361-551 RPM)  CFD10MH3S ● (545-772 RPM)	400	372	511	617	707	785	856	982	1093	1193
					500	380	520	627	716	795	866	992	1103	1204
					600	389	529	636	726	805	876	1003	1114	1214
					700	398	537	645	735	814	886	1012	1124	1224
					800	408	546	653	744	823	895	1022	1134	1234
					900	420	554	662	752	832	904	1031	1143	1244
					1000	435	563	670	761	841	913	1040	1153	1254
					1100	452	574	679	769	849	921	1049	1162	1263
					1200	470	585	688	777	857	930	1058	1171	1272
					1300	491	598	697	786	866	938	1066	1179	-
					1400	513	613	708	795	874	946	1075	1188	-
					1500	536	629	720	805	883	955	1083	1196	-
	1600	561	647	733	816	893	964	1091	1204	-				
	1700	586	666	748	828	903	973	1100	1213	-				
	1/3	0.35	CFD10PL1S ● (545-772 RPM)	CFD10PL3S ● (545-772 RPM)	1800	612	686	764	840	914	982	1108	1221	-
			CFD10PH1S ● (736-1043 RPM)	CFD10PH3S ● (736-1043 RPM)	1900	638	708	781	854	925	993	1117	1229	-
	1/2	0.54	CFD10QL1S ● (545-772 RPM)	CFD10QL3S ● (545-772 RPM)	2000	665	730	799	869	938	1004	1127	1238	-
			CFD10QH1S ● (736-1043 RPM)	CFD10QH3S ● (736-1043 RPM)	2100	692	754	819	886	952	1016	1137	-	-
					2200	720	778	839	903	966	1029	1147	-	-
	3/4	0.76	CFD10RL1S ● (608-862 RPM)	CFD10RL3S ● (608-862 RPM)	2300	747	802	861	921	982	1042	-	-	-
			CFD10RH1S ● (807-1144 RPM)	CFD10RH3S ● (807-1144 RPM)	2400	776	828	883	941	999	1057	-	-	-
					2500	804	853	906	961	1017	-	-	-	-
	1	1.15	CFD10SL1S ● (677-959 RPM)	CFD10SL3S ● (677-959 RPM)	2600	832	879	929	982	-	-	-	-	-
					2700	861	906	954	1004	-	-	-	-	-
			CFD10SH1S ● (942-1278 RPM)	CFD10SH3S ● (942-1278 RPM)	2800	889	933	-	-	-	-	-	-	-
					2900	918	-	-	-	-	-	-	-	-

MIXED FLOW/CENTRIFUGAL INLINE FANS

Power ratings (BHP) do not include transmission losses.  
Performance certified is for installation type B-free inlet, ducted outlet.  
Performance ratings do not include the effects of appurtenances (accessories).  
575/3/60 ODP Motors are available for most motor HP's - Refer to Price List.

Table shows fan RPM needed for required CFM and SP.  
Shaded/Non-shaded area shows motor HP and stock number to order.

Please refer to the General Catalog or contact the Factory for our Full Line of products available on standard shipping schedules.

# MODEL CFD

## Belt-Drive Forward Curved Inline Duct Blowers

Model CFD	Motor Hp	Max. BHP	Single Phase 115/208/230	Three Phase 208/230/460	CFM	RPM at Static Pressure										
			STOCK NO.	STOCK NO.		1/8	1/4	3/8	1/2	5/8	3/4	1	1 1/4	1 1/2		
12	1/4	0.27	CFD12ML1S ● (325-497 RPM)	CFD12ML3S ● (325-497 RPM)	800	343	475	573	654	724	787	896	992	1077		
					900	346	478	578	660	731	795	906	1003	1089		
					1000	351	481	582	666	738	802	915	1012	1100		
					1100	357	484	585	670	743	809	923	1021	1109		
					1200	365	487	588	674	748	814	929	1029	1118		
					1300	374	491	591	677	752	819	935	1036	1126		
			1400	384	495	594	680	755	823	941	1043	1134				
			1500	396	501	597	682	758	826	945	1048	1140				
			1600	408	508	601	685	761	829	949	1053	1146				
			1700	421	516	606	689	764	832	953	1058	1151				
			1800	435	525	612	692	767	835	956	1062	1156				
			1900	450	535	618	697	770	838	959	1065	1160				
	2000	465	545	625	702	774	841	962	1068	1164						
	1/3	0.35	CFD12PL1S ● (325-497 RPM)	CFD12PL3S ● (325-497 RPM)	2100	481	557	633	707	778	844	965	1071	1167		
					CFD12PH1S ● (496-757 RPM)	CFD12PH3S ● (496-757 RPM)	2200	496	569	642	714	783	848	967	1074	1171
	1/2	0.55	CFD12QL1S ● (431-659 RPM)	CFD12QL3S ● (431-659 RPM)	2300	513	582	652	721	788	852	971	1077	1174		
					2400	529	595	662	729	794	857	974	1080	1177		
					2500	546	609	674	738	801	862	977	1083	1179		
					2600	563	624	685	747	808	868	981	1086	-		
					2700	580	638	698	757	817	875	986	1089	-		
	3/4	0.76	CFD12RL1S ● (512-725 RPM)	CFD12RL3S ● (512-725 RPM)	2800	597	653	710	768	825	882	991	1093	-		
					CFD12RH1S ● (680-923 RPM)	CFD12RH3S ● (680-923 RPM)	2900	615	669	724	779	835	890	996	-	-
					3000	632	684	737	791	845	898	1002	-	-		
	1	1.15	CFD12SL1S ● (583-826 RPM)	CFD12SL3S ● (583-826 RPM)	3100	650	700	752	803	855	907	1009	-	-		
					3200	668	716	766	816	866	917	-	-	-		
					3300	685	733	781	829	878	927	-	-	-		
					3400	703	749	796	843	890	937	-	-	-		
					3500	721	766	811	857	902	-	-	-	-		
	1 1/2	1.67	CFD12TL1S ● (656-812 RPM)	CFD12TL3S ● (656-812 RPM)	3600	740	783	826	871	-	-	-	-	-		
					3700	758	800	842	885	-	-	-	-	-		
					CFD12TM1S ● (813-1045 RPM)	CFD12TM3S ● (813-1045 RPM)	3800	776	817	858	-	-	-	-	-	
					CFD12TH1S ● (1046-1364 RPM)	CFD12TH3S ● (1046-1364 RPM)	3900	794	834	-	-	-	-	-	-	
					4000	813	-	-	-	-	-	-	-	-		

Power ratings (BHP) do not include transmission losses.  
 Performance certified is for installation type B-free inlet, ducted outlet.  
 Performance ratings do not include the effects of appurtenances (accessories).  
 575/3/60 ODP Motors are available for most motor HP's - Refer to Price List.

Table shows fan RPM needed for required CFM and SP.  
 Shaded/Non-shaded area shows motor HP and stock number to order.

# MODEL CFD

## Belt-Drive Forward Curved Inline Duct Blowers

Model CFD	Motor Hp	Max. BHp	Single Phase 115/208/230	Three Phase 208/230/460	CFM	RPM at Static Pressure											
			STOCK NO.	STOCK NO.		1/8	1/4	3/8	1/2	5/8	3/4	1	1 1/4	1 1/2			
15	1/4	0.26	CFD15MH1S ● (272-415 RPM)	CFD15MH3S ● (272-415 RPM)	1700	283	-	-	-	-	-	-	-	-	-		
					1800	289	-	-	-	-	-	-	-	-	-		
					1900	295	-	-	-	-	-	-	-	-	-	-	
					2000	302	-	-	-	-	-	-	-	-	-	-	
					2100	310	-	-	-	-	-	-	-	-	-	-	
					2200	318	-	-	-	-	-	-	-	-	-	-	
					2300	326	396	-	-	-	-	-	-	-	-	-	-
					2400	335	401	-	-	-	-	-	-	-	-	-	-
	1/3	0.34	CFD15PH1S ● (296-453 RPM)	CFD15PH3S ● (296-453 RPM)	2500	344	406	-	-	-	-	-	-	-	-		
					2600	354	412	-	-	-	-	-	-	-	-		
					2700	363	418	-	-	-	-	-	-	-	-		
	1/2	0.55	CFD15QL1S ● (296-453 RPM)	CFD15QL3S ● (296-453 RPM)	2800	373	425	-	-	-	-	-	-	-			
					2900	383	433	489	549	-	-	-	-	-			
			CFD15QH1S ● (361-551 RPM)	CFD15QH3S ● (361-551 RPM)	3000	393	441	494	551	-	-	-	-	-			
					3100	403	449	499	554	-	-	-	-	-			
					3200	414	457	505	558	-	-	-	-	-			
	3/4	0.78	CFD15RL1S ● (344-487 RPM)	CFD15RL3S ● (344-487 RPM)	3300	424	466	512	562	615	-	-	-				
					3400	434	475	519	567	618	-	-	-				
			CFD15RH1S ● (520-793)	CFD15RH3S ● (520-793)	3500	445	484	526	572	621	672	-	-	-			
	3600	456			493	534	578	625	674	-	-	-					
	1	1.15	CFD15SH1S ● (456-646 RPM)	CFD15SH3S ● (456-646 RPM)	3700	466	502	542	584	629	676	-	-	-			
					3800	477	512	550	590	634	679	773	-	-			
					3900	488	522	558	597	639	683	774	-	-			
					4000	499	532	567	604	645	687	775	-	-			
					4100	510	541	575	612	651	691	777	-	-			
	1 1/2	1.59	CFD15TL1S ● (477-609)	CFD15TL3S ● (477-609)	4200	521	552	585	620	657	696	779	-	-			
					4300	532	562	594	628	664	701	781	-	-			
					4400	543	572	603	636	671	707	785	865	-			
					4500	554	582	612	644	678	713	788	867	-			
	2	2.16	N/A	CFD15VL3S ● (519-659 RPM)	CFD15VH3S ● (617-789 RPM)	4600	565	593	622	653	685	720	792	869	-		
						4700	576	603	632	662	693	726	796	871	-		
						4800	587	614	641	670	701	733	801	873	-		
						4900	599	624	651	679	709	740	806	876	-		
						5000	610	635	661	689	718	748	812	880	-		
	3	3.23	N/A	CFD15WL3S ● (520-793 RPM)	CFD15WH3S ● (721-902 RPM)	5100	621	645	671	698	726	755	818	884	-		
						5200	632	656	681	707	735	763	824	888	-		
5300						644	667	691	717	744	771	830	893	-			
5400						655	678	702	727	753	780	837	898	-			
3	3.23	N/A	CFD15WL3S ● (520-793 RPM)	CFD15WH3S ● (721-902 RPM)	5500	666	689	712	736	762	788	844	-	-			
					5600	677	699	722	746	771	797	851	-	-			
					5700	689	710	733	756	780	805	-	-	-			
5800	700	721	743	766	790	814	-	-	-								

MIXED FLOW/CENTRIFUGAL INLINE FANS

Power ratings (BHP) do not include transmission losses.  
 Performance certified is for installation type B-free inlet, ducted outlet.  
 Performance ratings do not include the effects of appurtenances (accessories).  
 575/3/60 ODP Motors are available for most motor HP's - Refer to Price List.

Table shows fan RPM needed for required CFM and SP.  
 Shaded/Non-shaded area shows motor HP and stock number to order.

Please refer to the General Catalog or contact the Factory for our Full Line of products available on standard shipping schedules.

**MIXED FLOW/CENTRIFUGAL INLINE FANS**

<b>MODEL CFD Sound Data</b>														
Model CFD	RPM	Sound Performance Sones (Inches w.g.)												
		0.125	0.25	0.375	0.5	0.625	0.75	1	1.25	1.5	1.75	2	2.25	2.5
7	500	2	-	-	-	-	-	-	-	-	-	-	-	-
	600	3.8	-	-	-	-	-	-	-	-	-	-	-	-
	700	5.5	4.3	-	-	-	-	-	-	-	-	-	-	-
	800	7.4	6.2	5.3	-	-	-	-	-	-	-	-	-	-
	900	11.3	8.2	7.2	6.5	-	-	-	-	-	-	-	-	-
	1000	11.7	10.4	9.3	8.5	7.9	-	-	-	-	-	-	-	-
	1100	13.7	12.9	11.7	10.8	10	9.4	-	-	-	-	-	-	-
	1200	27	15.9	14.3	13.3	12.5	11.8	-	-	-	-	-	-	-
	1300	31	19.9	16.8	15.6	14.8	14.1	13.3	-	-	-	-	-	-
	1400	34	24	19.2	18.2	17.3	16.5	15.7	-	-	-	-	-	-
	1500	37	28	23	21	20	19.2	18.1	17.6	-	-	-	-	-
	1600	39	32	27	23	23	22	21	20	19.6	-	-	-	-
	1700	42	35	31	27	26	25	24	23	22	22	-	-	-
	1800	43	38	34	31	29	28	27	26	25	24	24	-	-
	1900	45	41	38	35	33	32	30	29	28	27	27	26	26
	2000	47	44	41	39	38	36	34	32	31	30	30	30	29
2100	50	48	46	44	43	41	39	37	35	34	33	33	32	
2200	55	53	51	50	48	46	43	41	39	38	37	36	36	
9	400	4.4	-	-	-	-	-	-	-	-	-	-	-	-
	450	5.5	-	-	-	-	-	-	-	-	-	-	-	-
	500	6.8	-	-	-	-	-	-	-	-	-	-	-	-
	550	8.3	8.1	-	-	-	-	-	-	-	-	-	-	-
	600	10	9.4	-	-	-	-	-	-	-	-	-	-	-
	650	12.2	11.5	-	-	-	-	-	-	-	-	-	-	-
	700	14.4	13.8	13.4	-	-	-	-	-	-	-	-	-	-
	750	16.8	16.2	15.6	-	-	-	-	-	-	-	-	-	-
	800	19.1	18.6	18	17.8	-	-	-	-	-	-	-	-	-
	850	21	21	20	20	20	-	-	-	-	-	-	-	-
	900	24	23	23	23	22	-	-	-	-	-	-	-	-
	950	26	26	26	25	25	-	-	-	-	-	-	-	-
	1000	29	29	29	28	28	28	-	-	-	-	-	-	-
	1050	32	32	32	31	31	31	-	-	-	-	-	-	-
	1100	35	35	34	34	34	33	-	-	-	-	-	-	-
	1150	37	37	37	36	36	36	36	-	-	-	-	-	-
1200	40	40	39	39	39	39	38	-	-	-	-	-	-	
1250	43	43	42	42	42	41	41	41	41	-	-	-	-	
1300	47	46	46	45	45	44	44	43	43	-	-	-	-	

The sound ratings shown are in loudness values in fan sones at 1.5 m (5 ft) in a hemispherical free field calculated per AMCA International Standard 301. Values shown are for Installation type B: free inlet hemispherical sone levels.

*Please refer to the General Catalog or contact the Factory for our Full Line of products available on standard shipping schedules.*

## MODEL CFD Power Data

Model CFD	RPM	Sound Performance Sones (Inches w.g.)												
		0.125	0.25	0.375	0.5	0.625	0.75	1	1.25	1.5	1.75	2	2.25	2.5
10	400	2.7	-	-	-	-	-	-	-	-	-	-	-	-
	450	4.4	-	-	-	-	-	-	-	-	-	-	-	-
	500	6	3.1	-	-	-	-	-	-	-	-	-	-	-
	550	7.6	4.8	-	-	-	-	-	-	-	-	-	-	-
	600	9.3	6.7	4.6	-	-	-	-	-	-	-	-	-	-
	650	11	8.8	6.2	-	-	-	-	-	-	-	-	-	-
	700	12.8	10.7	8	6.2	-	-	-	-	-	-	-	-	-
	750	14.4	12.5	10.2	7.8	6.9	-	-	-	-	-	-	-	-
	800	16.2	14.4	12.5	9.9	7.9	-	-	-	-	-	-	-	-
	850	18	16.4	14.5	12.2	9.9	8.6	-	-	-	-	-	-	-
	900	19.8	18.5	16.6	14.6	12.2	10.2	-	-	-	-	-	-	-
	950	22	21	18.8	17.1	14.7	12.5	-	-	-	-	-	-	-
	1000	24	23	21	19.3	17.3	15	11.5	-	-	-	-	-	-
	1050	26	25	23	21	20	17.6	13.8	-	-	-	-	-	-
	1100	28	27	25	24	22	20	16.2	13.7	-	-	-	-	-
	1150	30	29	28	26	25	23	18.9	15.7	-	-	-	-	-
	1200	32	31	30	29	27	26	22	18.3	16.2	-	-	-	-
	1250	34	33	32	31	29	28	25	21	18.1	-	-	-	-
1300	37	36	35	34	32	30	28	24	21	18.7	-	-	-	
1350	39	38	37	36	35	33	30	26	23	20	19.8	-	-	
1400	42	41	40	39	37	36	33	30	26	23	21	-	-	
1450	44	43	42	42	40	39	36	33	29	26	23	22	22	
1500	47	46	45	44	43	42	38	36	32	29	26	24	24	
1550	50	49	48	47	46	45	41	39	35	32	29	27	25	
1600	53	52	51	50	49	48	45	42	39	35	32	30	27	

The sound ratings shown are in loudness values in fan sones at 1.5 m (5 ft) in a hemispherical free field calculated per AMCA International Standard 301. Values shown are for Installation type B: free inlet hemispherical sone levels.

**MIXED FLOW/CENTRIFUGAL INLINE FANS**

**MODEL CFD Sound Data**

Model CFD	RPM	Sound Performance Sones (Inches w.g.)												
		0.125	0.25	0.375	0.5	0.625	0.75	1	1.25	1.5	1.75	2	2.25	2.5
12	400	3.9	-	-	-	-	-	-	-	-	-	-	-	-
	450	5.3	4	-	-	-	-	-	-	-	-	-	-	-
	500	6.8	5.4	4.4	-	-	-	-	-	-	-	-	-	-
	550	8.6	6.9	5.9	-	-	-	-	-	-	-	-	-	-
	600	10.5	8.6	7.4	6.6	-	-	-	-	-	-	-	-	-
	650	12.6	10.5	9.1	8.2	7.4	-	-	-	-	-	-	-	-
	700	14.7	12.6	11	9.9	9.2	8.4	-	-	-	-	-	-	-
	750	16.8	14.9	13	11.7	10.8	10	-	-	-	-	-	-	-
	800	18.9	17.2	15.2	13.7	12.6	11.7	10.2	-	-	-	-	-	-
	850	21	19.4	17.5	15.8	14.7	13.7	12	10.4	-	-	-	-	-
	900	23	22	19.9	18.2	16.8	15.8	14	12.5	-	-	-	-	-
	950	26	24	22	21	19.1	18	16.1	14.6	-	-	-	-	-
	1000	28	27	25	23	22	20	18.4	16.7	15.3	-	-	-	-
	1050	31	29	28	26	24	23	21	19	17.4	16.1	-	-	-
	1100	33	32	30	29	27	25	23	21	19.8	18.4	-	-	-
	1150	36	34	33	32	30	28	25	24	22	21	19.6	-	-
	1200	39	37	36	35	33	31	28	26	25	23	22	21	-
1250	42	41	39	38	36	34	31	29	27	26	24	23	22	
1300	45	44	42	41	40	38	34	32	30	28	27	26	25	
1350	49	47	46	44	43	41	38	35	33	31	30	28	27	
1400	52	51	49	48	47	45	41	39	36	34	33	31	30	
15	300	3.8	-	-	-	-	-	-	-	-	-	-	-	-
	350	5.5	-	-	-	-	-	-	-	-	-	-	-	-
	400	7.5	6.3	-	-	-	-	-	-	-	-	-	-	-
	450	9.6	8.3	-	-	-	-	-	-	-	-	-	-	-
	500	11.9	10.7	9.6	-	-	-	-	-	-	-	-	-	-
	550	14.3	13.2	12.1	11.3	-	-	-	-	-	-	-	-	-
	600	17	15.8	14.8	13.9	13.1	-	-	-	-	-	-	-	-
	650	19.5	18.4	17.4	16.5	15.6	-	-	-	-	-	-	-	-
	700	22	21	20	19.2	18.3	17.5	-	-	-	-	-	-	-
	750	25	24	23	22	21	20	18.7	-	-	-	-	-	-
	800	28	27	26	25	24	23	22	20	-	-	-	-	-
	850	31	30	29	28	27	26	25	23	-	-	-	-	-
	900	34	33	33	32	31	30	28	27	-	-	-	-	-
	950	38	37	36	35	35	34	32	31	-	-	-	-	-
	1000	42	41	40	40	39	38	36	35	-	-	-	-	-
	1050	47	46	45	44	43	42	41	39	-	-	-	-	-
	1100	51	50	50	49	48	47	46	44	-	-	-	-	-
1150	56	56	55	54	53	52	51	49	-	-	-	-	-	
1200	62	61	60	59	58	58	56	55	-	-	-	-	-	
1250	66	65	64	63	63	62	60	59	-	-	-	-	-	
1300	70	69	69	68	67	66	65	63	-	-	-	-	-	

The sound ratings shown are in loudness values in fan sones at 1.5 m (5 ft) in a hemispherical free field calculated per AMCA International Standard 301. Values shown are for Installation type B: free inlet hemispherical sone levels.

*Please refer to the General Catalog or contact the Factory for our Full Line of products available on standard shipping schedules.*